

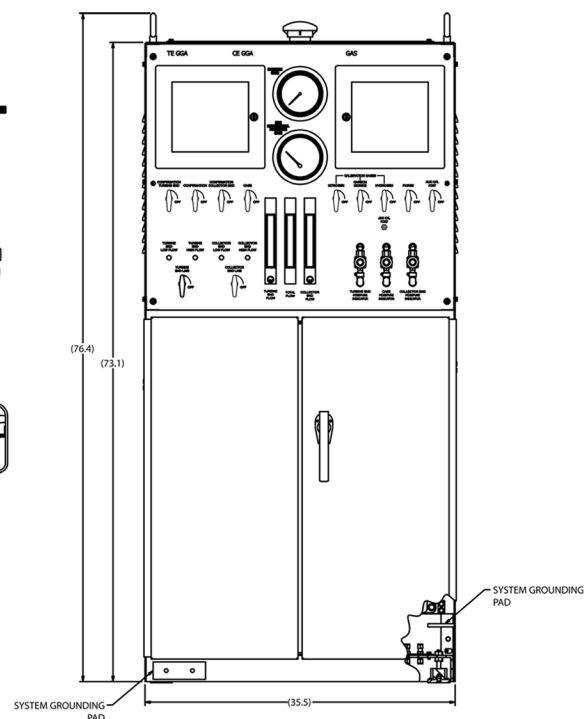
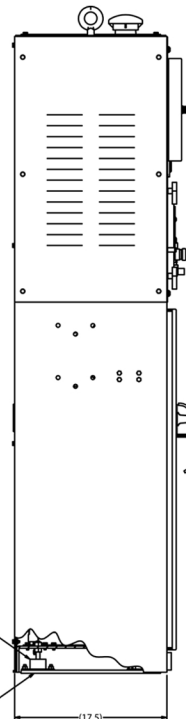
# HCC II

Maintaining hydrogen purity is critical to assuring proper performance, profitability and personnel safety levels.



VIBRATION-DAMPENING MOUNT

MOUNTING FOOT



## SPECIFICATIONS

### MEASUREMENT CHARACTERISTICS

<b>Technology Principle</b>	Thermal Conductivity
<b>Gas Analyzer Sensing Unit</b>	Switchable – Triple Range 70 to 100% H <sub>2</sub> in Air 0 to 100% H <sub>2</sub> in CO <sub>2</sub> 0 to 100% Air in CO <sub>2</sub>
<b>Resolution</b>	+/- 0.1%
<b>Accuracy</b>	+/- 0.5% F.S. on H <sub>2</sub> in Air +/- 1.0% F.S. on H <sub>2</sub> or Air in CO <sub>2</sub>
<b>Linearity</b>	+/- 1.0% F.S.
<b>Drift</b>	<0.2%/month

### ELECTRICAL CHARACTERISTICS

<b>Input Voltage</b> (see nameplate)	120 VAC 50/60 Hz 220 VAC 50/60 Hz (optional)
<b>Outputs</b>	4-20 mA current output
<b>Alarm Levels</b>	Alarm and Warning levels are adjustable
<b>Relay Contact Rating</b>	0.5A @ 250VAC/125VDC (resistive)
<b>Data Retention</b>	Lithium battery supported RAM, 10 years minimum
<b>Indicators</b> (Purity Analyzers)	AC Power, Trouble, Normal (H <sub>2</sub> in Air), Purge (H <sub>2</sub> in CO <sub>2</sub> ), Purge (Air in CO <sub>2</sub> ), Calibrate H <sub>2</sub> , Calibrate CO <sub>2</sub> , Calibrate N <sub>2</sub> , one 3-character LED numeric display, one 16-character LCD display
<b>Area Classification</b>	Class I, Zone 2, Group IIB + H <sub>2</sub>

### MECHANICAL CHARACTERISTICS

<b>Overall Dimensions</b>	35.5" w x 76.4" h x 17.5" d
<b>Weight</b>	1000 lbs
<b>Ambient Temperature</b>	32 F to 149 F (0 C to 65 C)
<b>Maximum Pressure</b>	100 psi

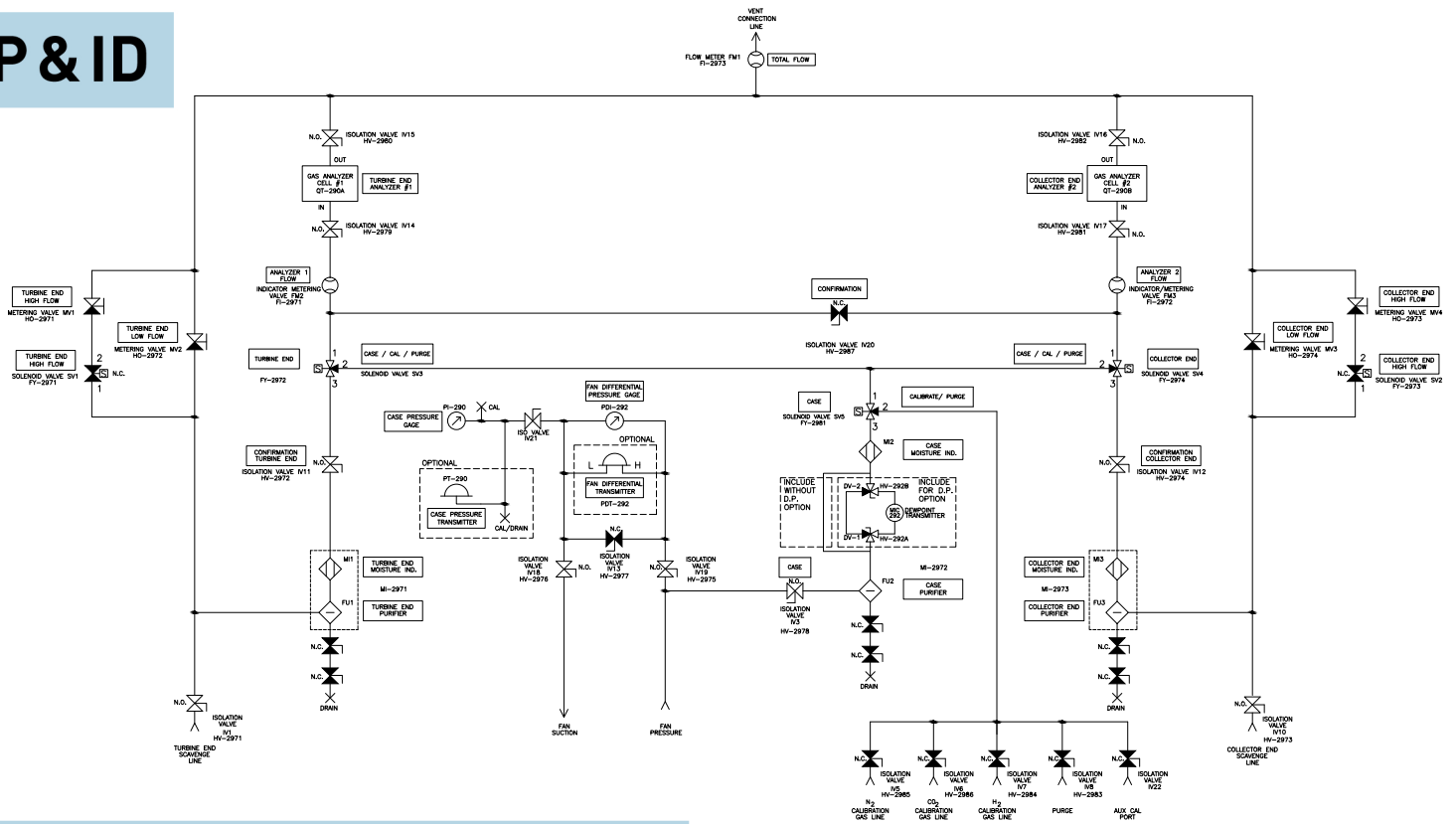
**E/One's Hydrogen Control Cabinet (HCC) was designed** specifically for monitoring and controlling hydrogen purity in generators that utilize scavenging seal oil systems. The HCC contains two independent analyzers that monitor hydrogen purity from both the turbine-end seal drain enlargement and the collector-end seal drain enlargement.

Designed to be used in a hazardous location, the HCC has the ability to automatically increase the amount of hydrogen gas bled from the generator. It's also an easy replacement for your old hydrogen control cabinet. Featuring digital displays, warnings and alarms, the HCC works with all control systems.

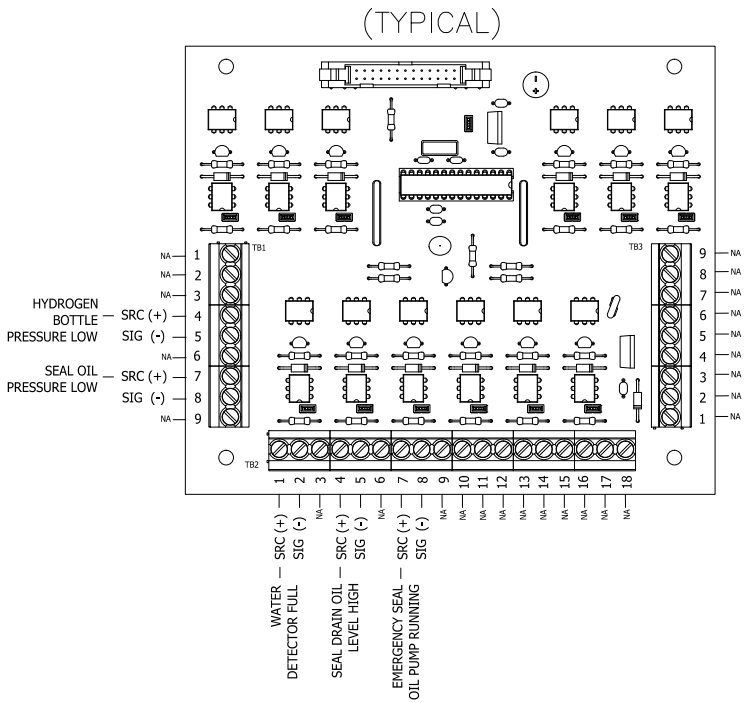
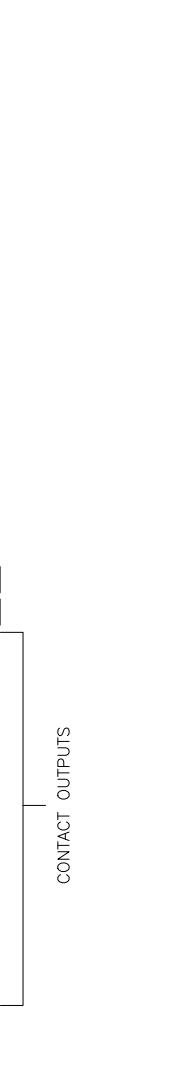
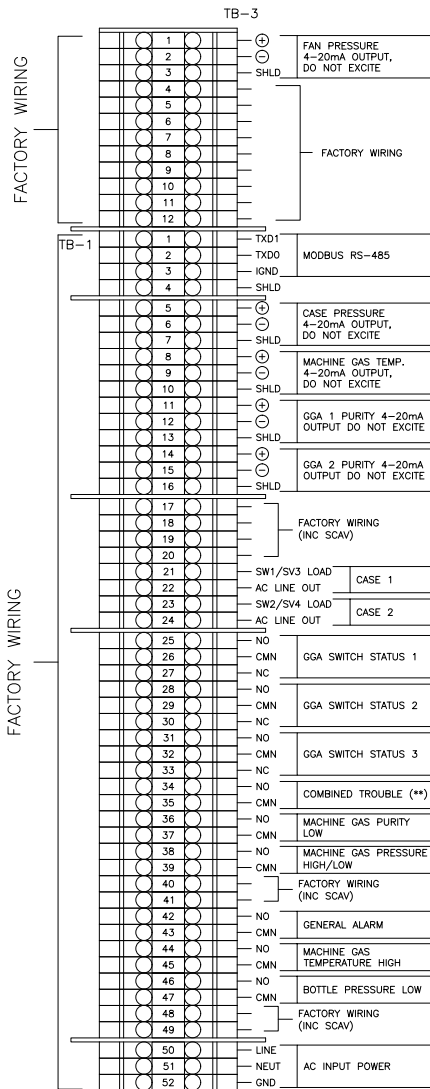
### FEATURES AND BENEFITS

- Two triple-range Generator Gas Analyzers
- Microprocessor-controlled for superior accuracy and stability
- Automatic increased scavenging (hydrogen flow rate)
- Push-button calibration
- Case pressure gage and transmitter
- Fan differential pressure gage and transmitter
- Up to 12-point customizable annunciator (plus two 3-digit numeric displays)
- Designed for hazardous location operation

# P&ID



# CUSTOMER INTERFACE



Environment One Corporation  
 Utility Systems / 2773 Balltown Road / Niskayuna, NY 12309 USA  
 Voice: 518.346.6161 / Fax: 518.346.4382 / www.eone.com/solutions