

# Generator Humidity Monitor

High moisture content (dew point) in hydrogen cooling gas is undesirable and can lead to a breakdown in the insulating system or assist in the development of stress corrosion cracking in retaining rings.



The supply of clean, dry hydrogen alone cannot assure low moisture content within the generator case because moisture vapors may be present in the seal oil system.

Knowing your dew point is critical. E/One's Generator Humidity Monitor is a reliable, self-contained, panel-mounted system that provides continuous measurement of the moisture content. The combination of an advanced ceramic moisture sensor coupled with superior digital measurement circuitry provides a real time, stable reading. All sensors are fully interchangeable without the need for display recalibration. The dew point is indicated locally on an LCD display and remotely via a 4-20 mA output that corresponds to -100 to +20 C or -148 to +68 F (optional).

## SPECIFICATIONS

### MEASUREMENT CHARACTERISTICS

<b>Technology Principle</b>	Advanced ceramic moisture sensor
<b>Flow Rate</b>	100-700 cc/min
<b>Accuracy</b>	+/- 2 C dew point

### ELECTRICAL CHARACTERISTICS

<b>Input Voltage</b>	120/240 VAC
<b>Input Frequency</b>	50/60 Hz
<b>Input Power</b>	20 Watts maximum
<b>Output Signal</b>	4-20 mA self-powered -100 to +20 C -148 to +68 F (optional)
<b>Area Classification</b>	Class I, Zone 2, Group IIB + H2

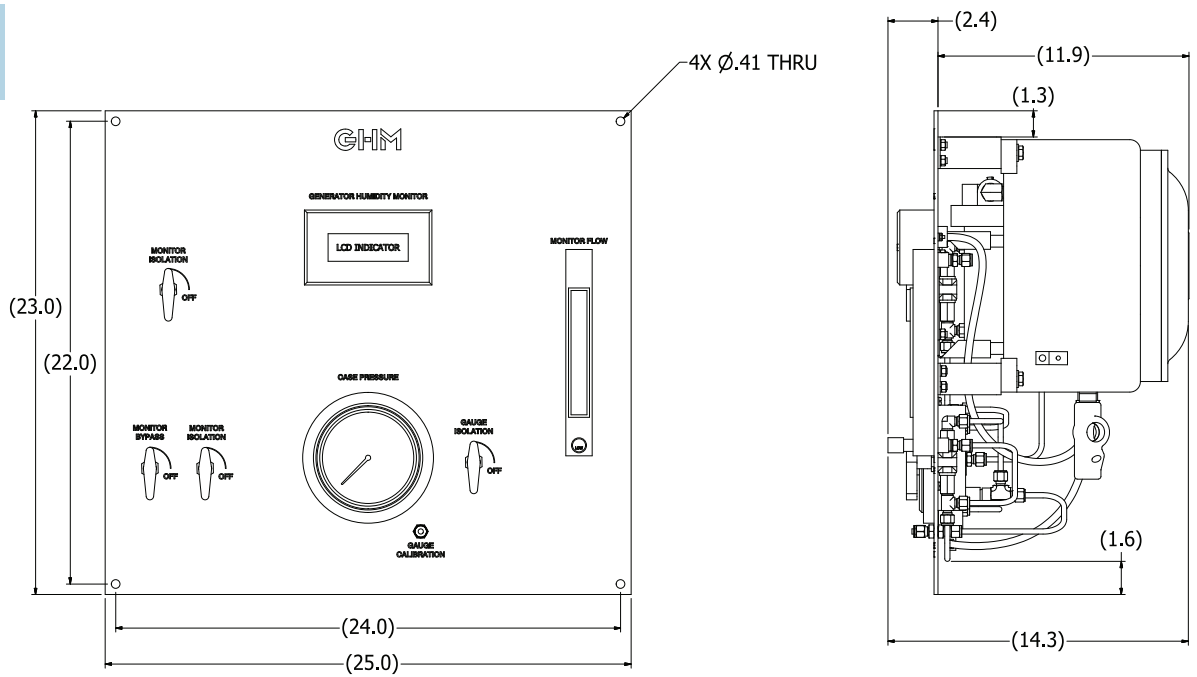
### MECHANICAL CHARACTERISTICS

<b>Overall Dimensions</b>	25" w x 23" h x 14" d (635 mm x 584 mm x 363 mm)
<b>Weight</b>	75 lbs
<b>Ambient Temperature</b>	40-140 F (+4.4 to 60 C)
<b>Maximum Pressure</b>	200 psig
<b>Gas Connections</b>	1/4" compression

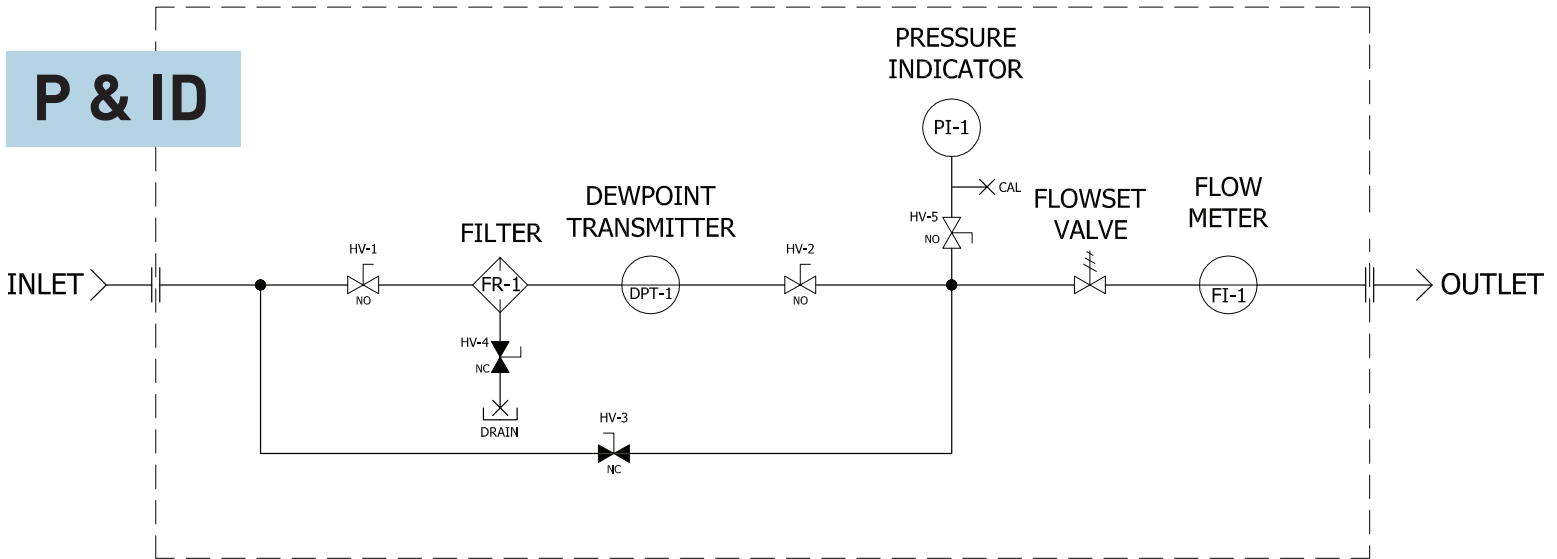
## FEATURES AND BENEFITS

- Advanced ceramic moisture sensor
- Superior digital measurement circuitry
- Designed for hazardous location operation
- Measurement range of -148 to 68 F (-100 to +20 C)
- 4-20 mA linear output signal
- Ambient temperature of 40 F to 140 F
- Interchangeable sensors
- NIST traceable
- Universal power input, 120/240 VAC

# OUTLINE



# P & ID



# CUSTOMER INTERFACE

