



General Applications

The Gatorgrinder reduces all forms of sanitary waste to a non-clogging slurry and pumps it through a network of small-diameter pipes. Since gravity is replaced by the power of the pump, sewer systems need not run downhill nor require large-diameter pipes, deep trenches, multiple lift stations – or their associated costs. Designed specifically for operation in warmer climates, the Gatorgrinder is an efficient, economic station for single dwelling service.

Features

The Gatorgrinder is a complete unit that includes: the grinder pump, check valve, fiberglass tank and controls. The fiberglass tank is supplied complete with discharge fitting installed, simplifying installation of the grinder pump and plumbing.

All solids are ground into fine particles, allowing them to pass easily through the pump, check valve and small diameter pipelines. Even objects that are not normally disposed of through sewer lines, such as plastic, rubber, fiber, and wood, are ground into fine particles by the Gatorgrinder.

The 1-1/4" discharge fitting is adaptable to any piping material, thereby allowing us to meet your local code requirements.

The 24" diameter tank is constructed of laminated fiberglass and is available in several depths to accommodate capacity and site requirements. Other tank sizes are available upon request.

The integral grinder pump check valve assembly is custom designed for non-clog, trouble-free operation.

Automatic grinder pump activation is provided by the Gatorgrinder level control system. The Gatorgrinder is designed to run infrequently, for very short periods of time. The annual energy consumption is typically that of a 40-watt light bulb.

Operational Information

Motor

1 HP, 1,725 RPM, high torque, capacitor start, thermally protected, 120/240V, 60 Hz, single phase.

Inlet Connection

4" inlet grommet standard for DWV pipe. Field penetration and installation of inlet grommet allows site plumbing flexibility.

Discharge Connections

Tank is equipped with a factory installed discharge fitting. Tank discharge terminates in a 1-1/4" female NPT thread. Field connection of pump discharge to tank bulkhead is easily accomplished using the supplied discharge assembly or other material required by local code.

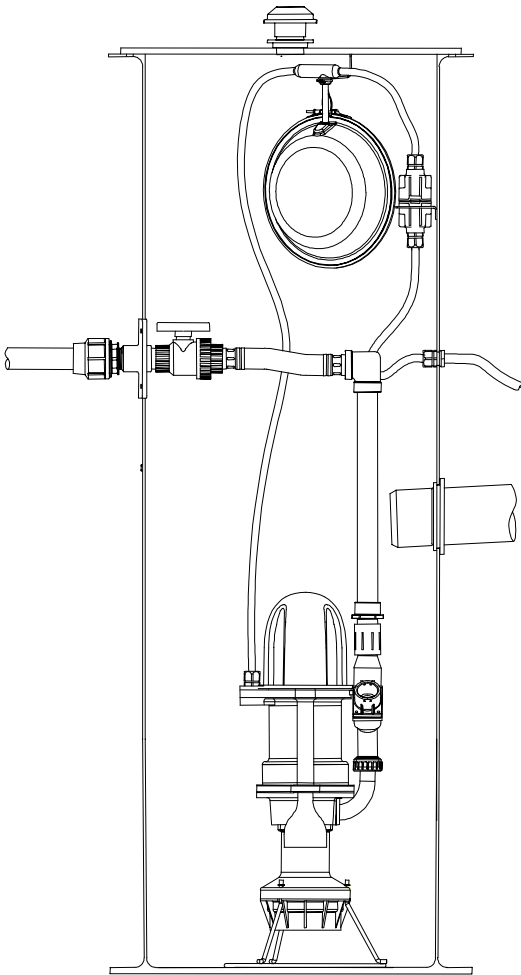
Discharge*

15 gpm at 0 psig
11 gpm at 40 psig
9 gpm at 60 psig

Overload Capacity

The maximum pressure generated by the pump is limited by the motor characteristics and overload protection. The motor/pump combination generates a pressure well below the rating of the pipe and appurtenances. The automatic reset feature of the motor does not require manual operation following overload.

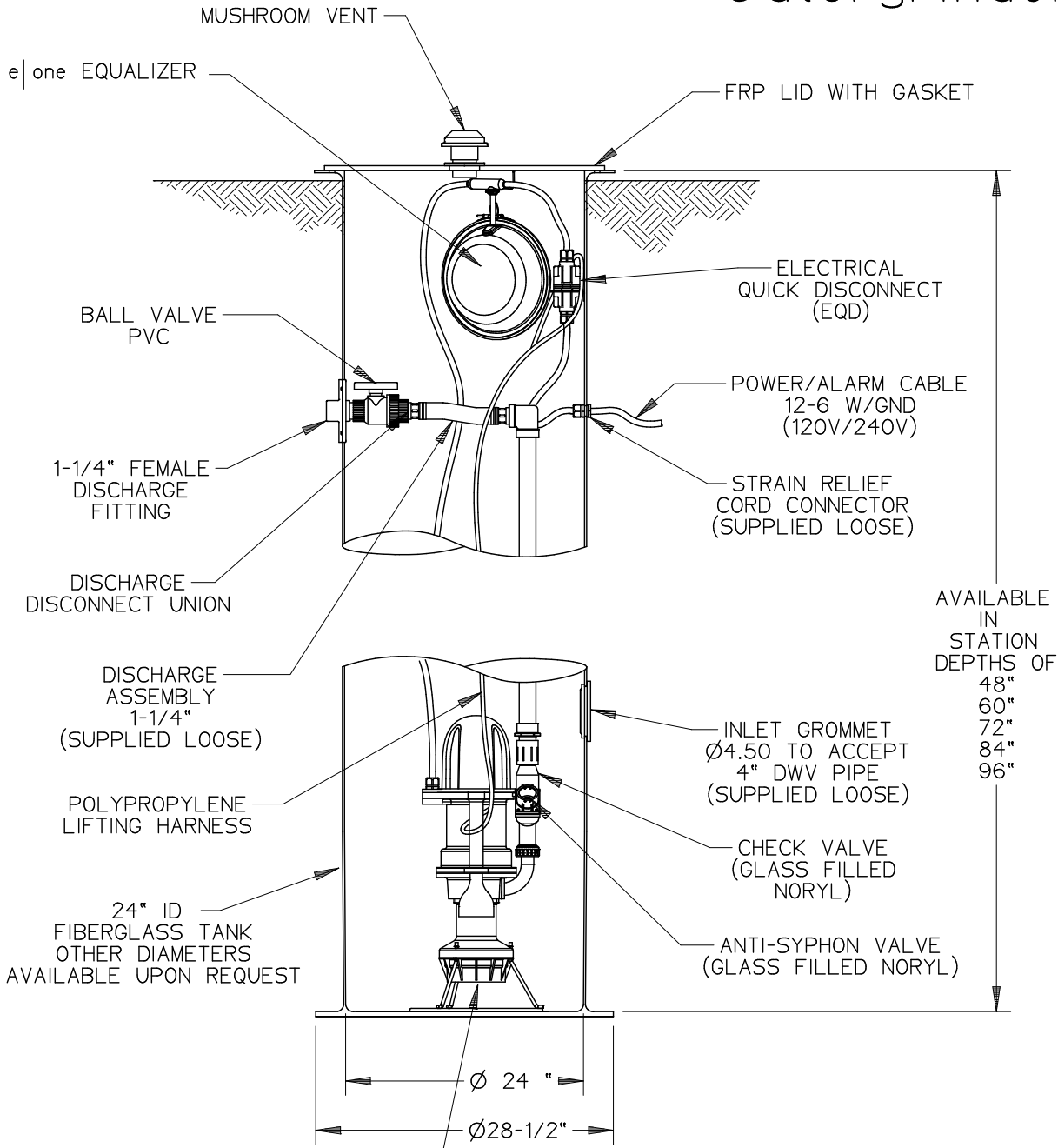
*Discharge data includes minimal losses through the check valve.



Patent Number(s): 5,439,180

Printed in USA, on recycled paper
LM000171 Rev. B 5/01

Gatorgrinder



SEMI-POSITIVE DISPLACEMENT TYPE PUMP
 DIRECTLY DRIVEN BY 1 HP MOTOR
 CAPABLE OF DELIVERING 9 gpm AT 138' T.D.H.

NOTE:
 BALLASTING IS REQUIRED TO PREVENT
 TANK FROM FLOATING.
 INSTALL CONCRETE ANCHOR PER ENGINEERS RECOMMENDATIONS

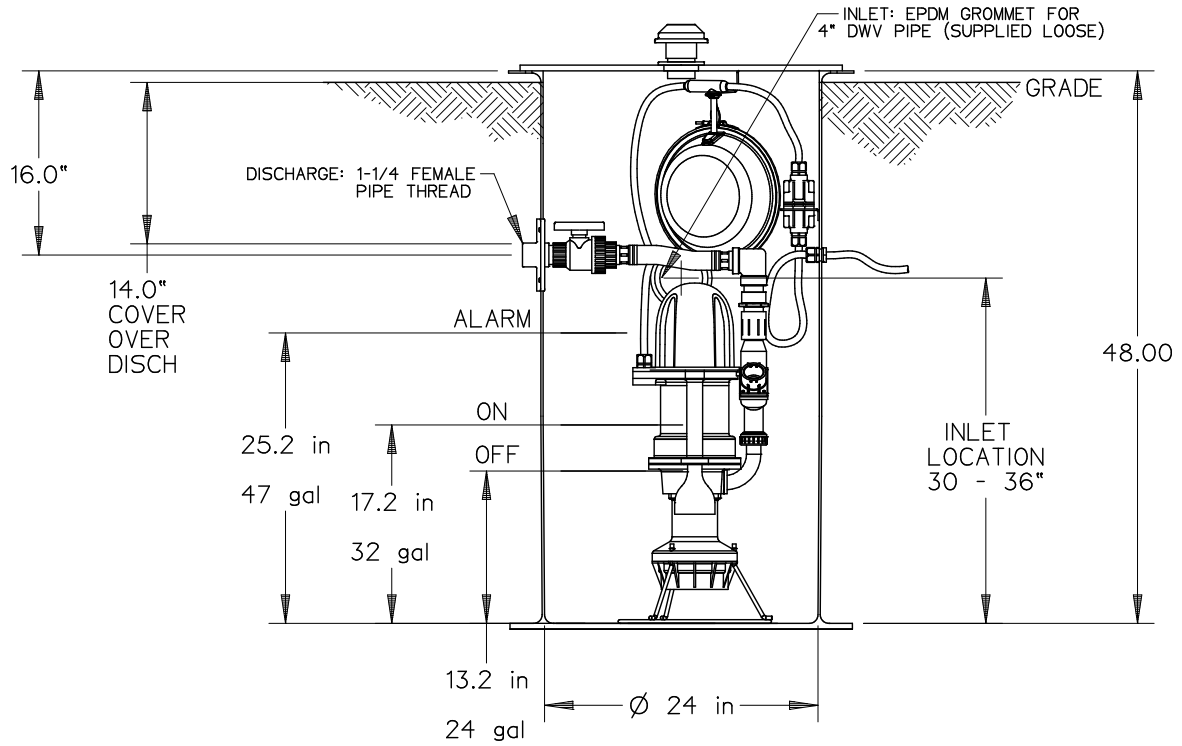
SGS	PJD	5-24-01	B	1/16
DR BY	CHK'D	DATE	ISSUE	SCALE

Gatorgrinder

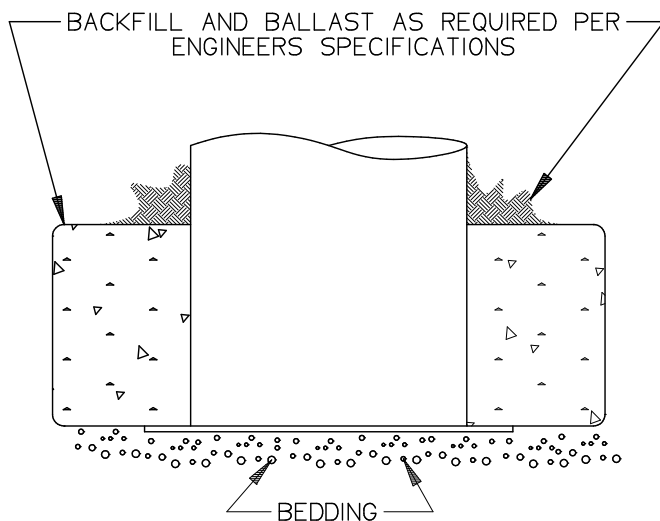
DETAIL SHEET,
 GATORGRINDER STATION

LM000172

GG-2448



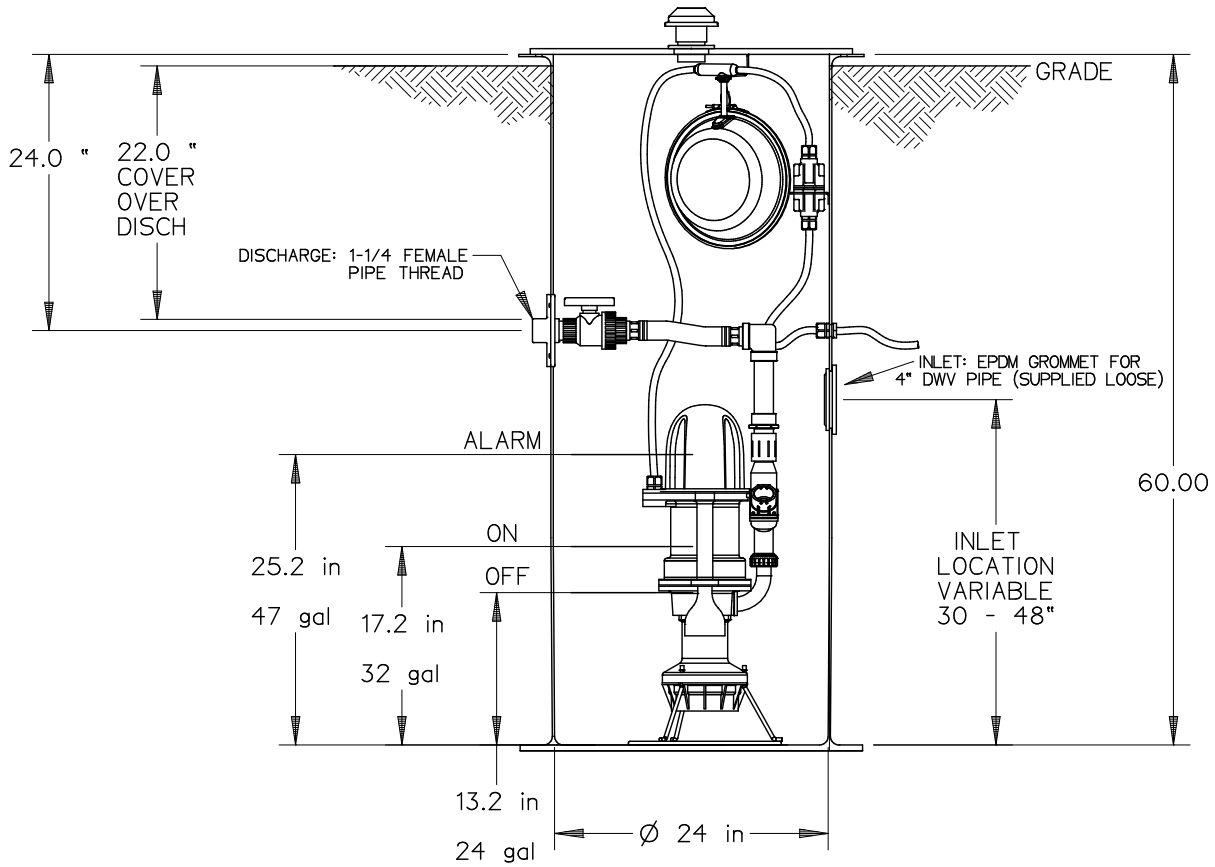
TANK BASE DETAIL



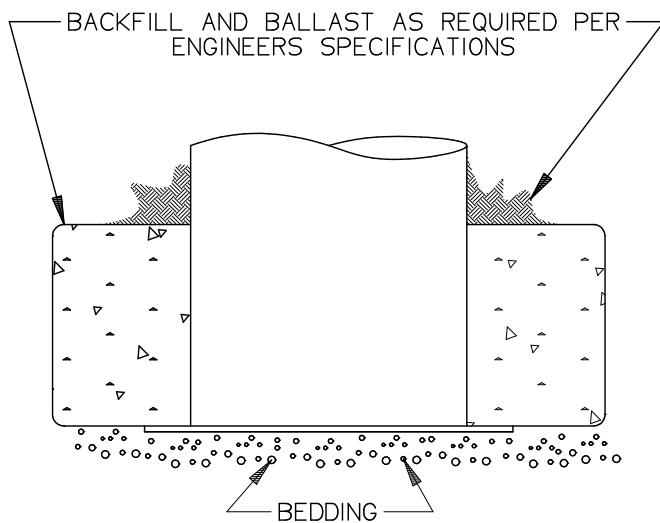
TANK VOLUME, LESS PUMP & DISCHARGE = 12.0cu ft/89.5 gal
 TANK VOLUME (INTERNAL) = 12.5 cu ft/93.5 gal
 TANK WEIGHT W/LID = 62 lbs

SGS	PJD	5-24-01	C	1/16
DR BY	CHK'D	DATE	ISSUE	SCALE
Gatorgrinder				
GATORGRINDER STATION 48"				
LM000177				

GG-2460



TANK BASE DETAIL



TANK VOLUME, LESS PUMP
& DISCHARGE = 15.2cu ft/113.5 gal
TANK VOLUME (INTERNAL) = 15.7 cu ft/117.5 gal
TANK WEIGHT W/LID = 71 lbs

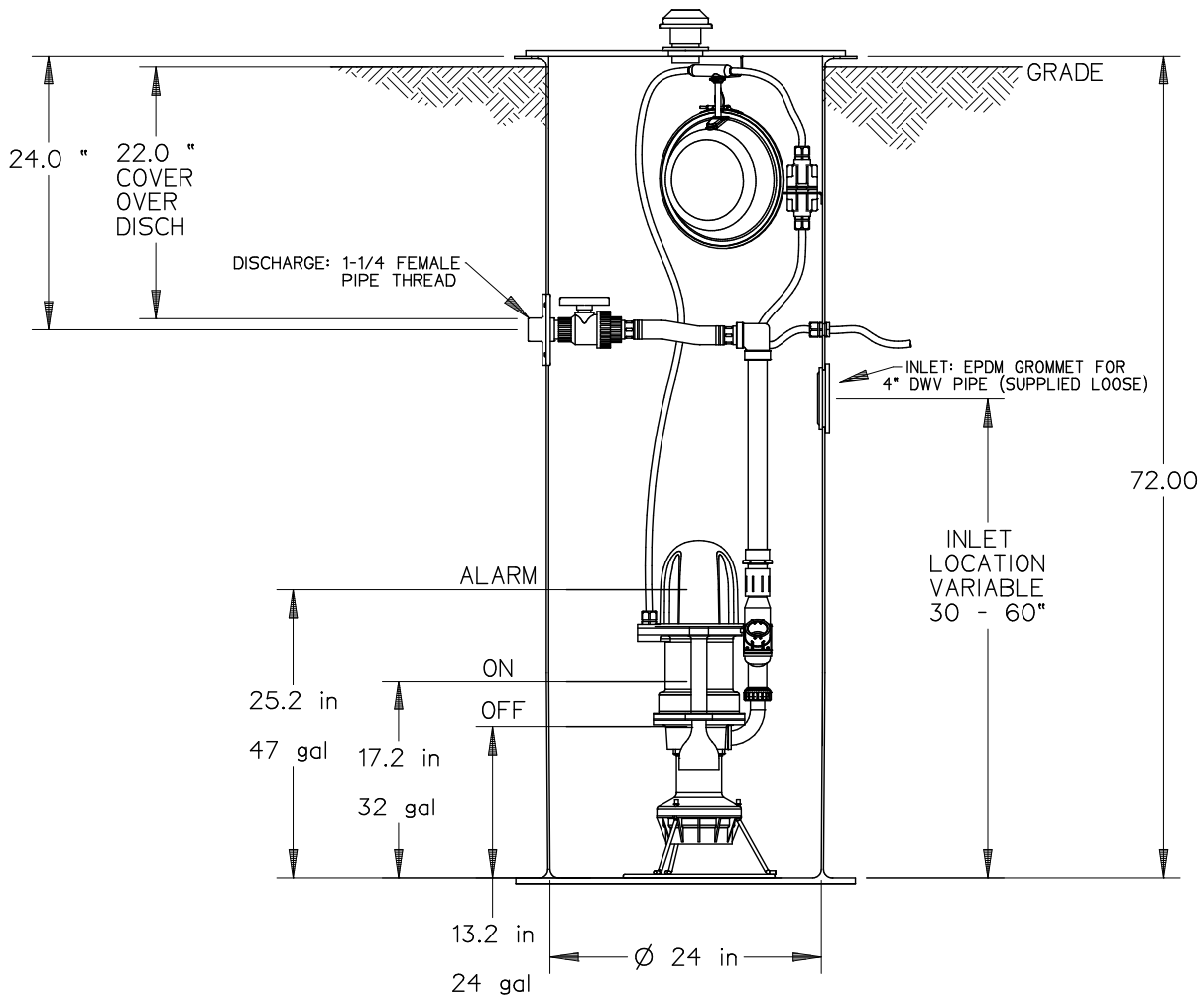
SGS	PJD	5-24-01	C	1/16
DR BY	CHK'D	DATE	ISSUE	SCALE

Gatorgrinder

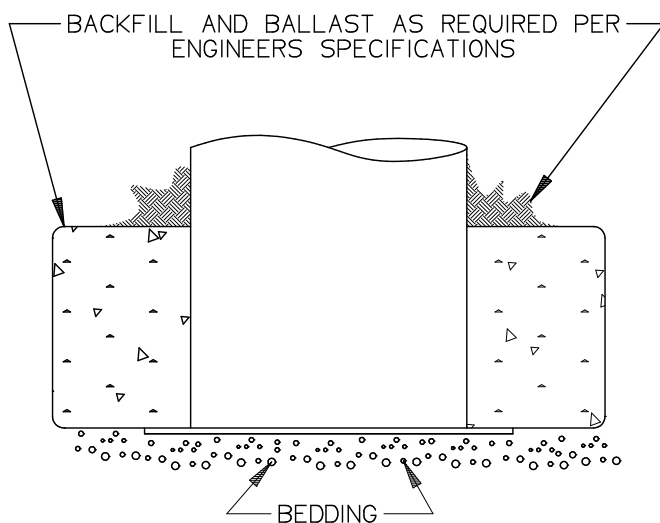
GATORGRINDER STATION
60"

LM000173

GG-2472



TANK BASE DETAIL



TANK VOLUME, LESS PUMP & DISCHARGE = 18.3cu ft/136.7 gal
 TANK VOLUME (INTERNAL) = 18.8 cu ft/140.7 gal
 TANK WEIGHT W/LID = 81 lbs

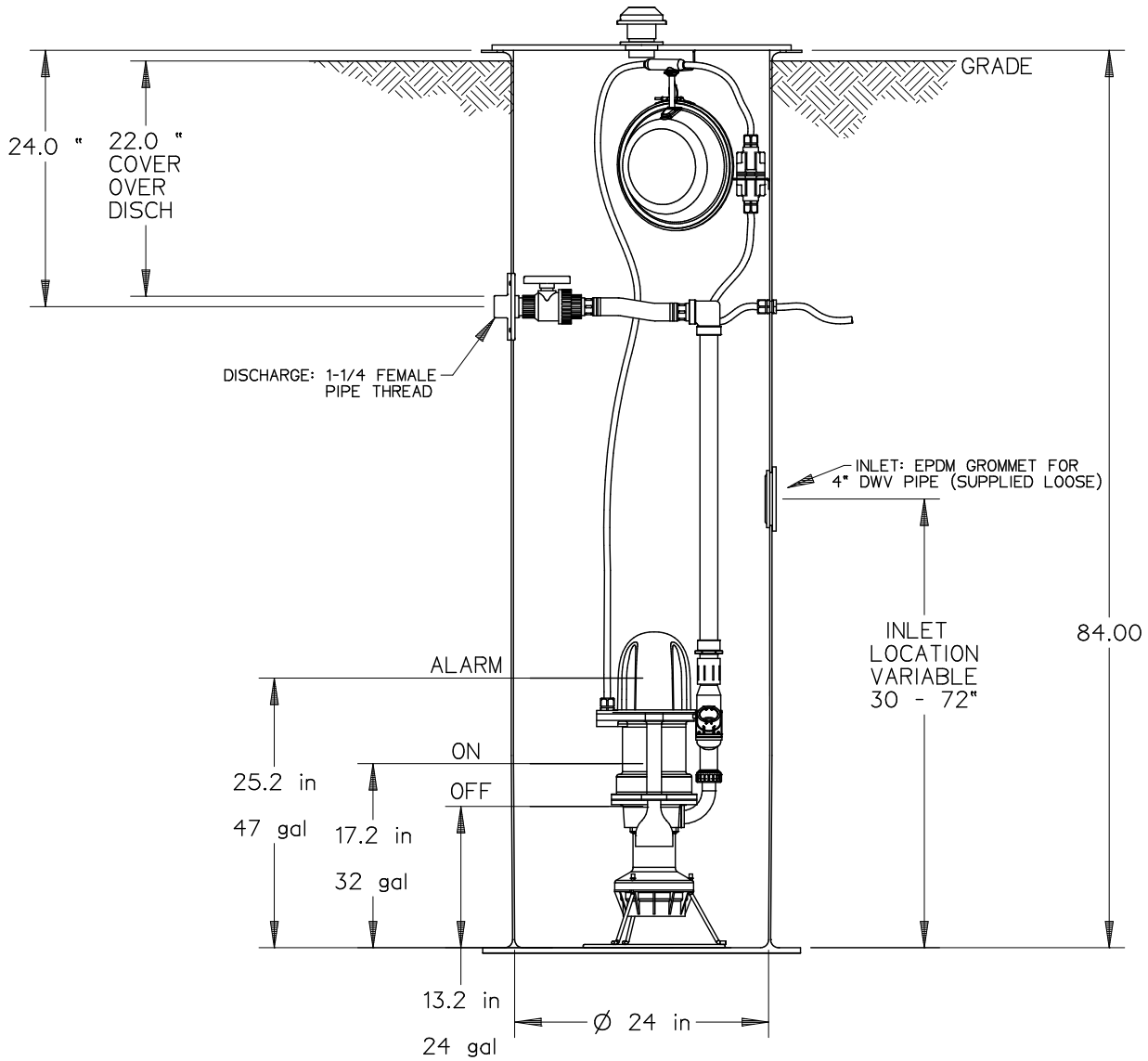
SGS	PJD	5-24-01	C	1/16
DR BY	CHK'D	DATE	ISSUE	SCALE

Gatorgrinder

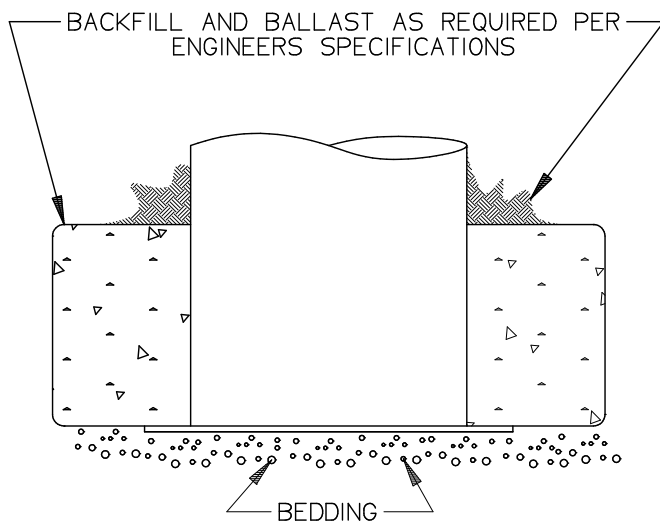
GATORGRINDER STATION
72"

LM000174

GG-2484



TANK BASE DETAIL



TANK VOLUME, LESS PUMP & DISCHARGE = 21.4cu ft/159.9 gal

TANK VOLUME (INTERNAL) = 21.9 cu ft/163.9 gal
TANK WEIGHT W/LID = 90 lbs

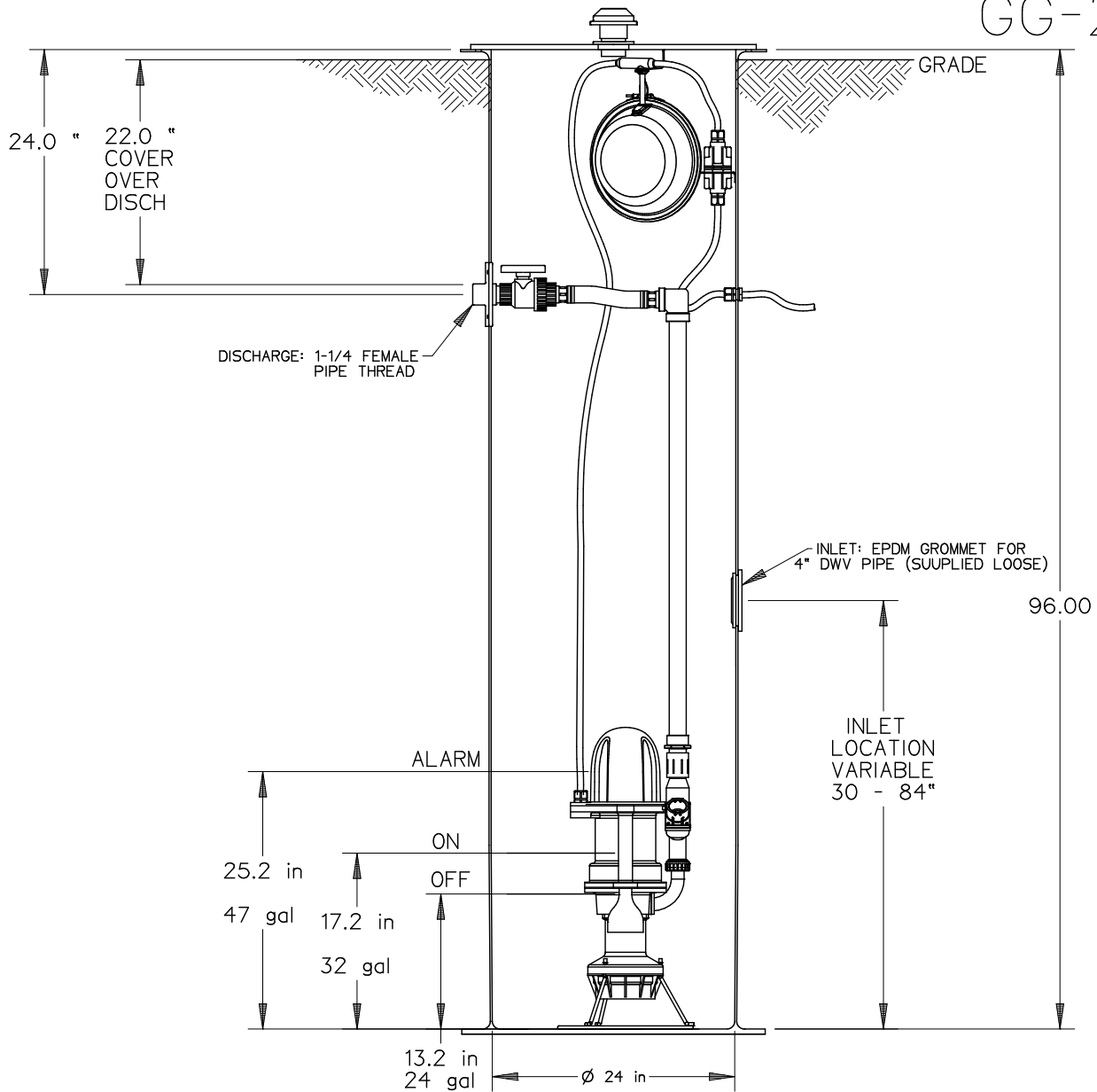
SGS	PJD	5-24-01	C	1/16
DR BY	CHK'D	DATE	ISSUE	SCALE

Gatorgrinder

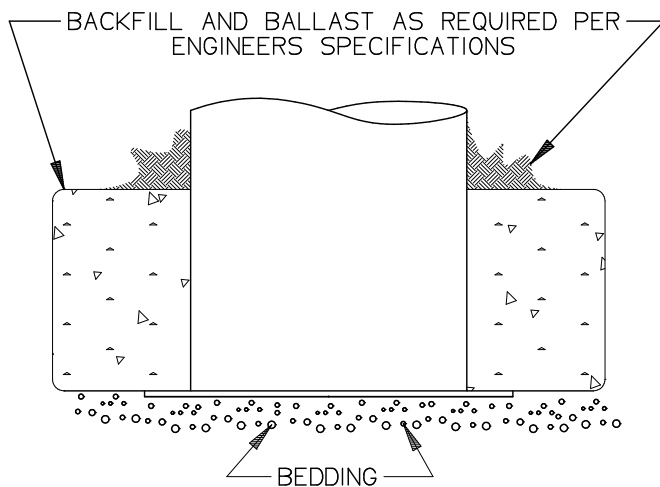
GATORGRINDER STATION
84"

LM000175

GG-2496



TANK BASE DETAIL



TANK VOLUME, LESS PUMP & DISCHARGE = 24.6cu ft/183.8 gal

TANK VOLUME (INTERNAL) = 25.1 cu ft/187.8 gal
TANK WEIGHT W/LID = 99 lbs

SGS	PJD	5-24-01	C	1/16
DR BY	CHK'D	DATE	ISSUE	SCALE

Gatorgrinder

GATORGRINDER STATION
96"

LM000176