

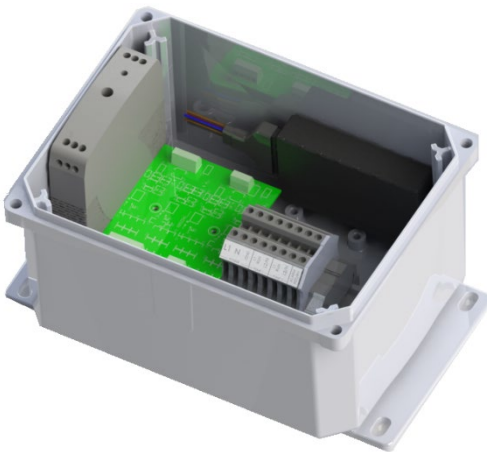
E/One Sentry Advisor

Standalone Option

Remote Monitoring System for Sewer System Management

Description

E/One now offers a standalone option for E/One Sentry Advisor that can be used with any alarm panel installation regardless of the manufacturer. Configurations are available for panels with normally open dry contacts for both pump running and high-level alarm events, or where no dry contacts for pump running or high-level alarm exist. Panels are mounted independently, requiring only minimal connections to the existing system.



E/One Sentry Advisor is a cellular remote system monitoring solution that provides up-to-the-minute visibility of high-level alarms and pump running events. Automatically send alerts to multiple contacts via phone, e-mail, SMS text, or to an existing telemetry system.

A web-based user interface allows easy viewing and pump management from any web-enabled device. Interactive mapping feature allows easy management and physical location of all grinder pumps. Reports can be generated to monitor overall system performance.

Note: E/One Sentry Advisor uses a cellular machine to machine network to transmit information. Adequate cellular coverage, which may differ from standard mobile phone voice and data coverage, is required at every location where the system will be installed. Contact E/One to verify coverage. Assemblies with an exterior antenna are available to improve cellular reception, if needed.

Features

Includes compact, NEMA 4X enclosure (9.7 in w x 6.5 in h x 5.4 in d), cellular modem, internal antenna (standard), external antenna (optional), auxiliary power supply, and dry contacts for both high level alarm and pump running. Wiring options (by others) are flexible for ease of installation with existing systems. Available for use with Simplex, Duplex, Triplex or Quad panels. Can be used with panels other than E/One Alarm panels.

Provides monitoring and visibility for:

- High level alarm
- Pump running
- Run time history (daily, cumulative, last run, minimum/maximum/average)
- Cycle history (daily and cumulative)
- Extended run time alerts (cycle, daily, etc.)
- Generate pump run and/or alarm event reports
- Map location of each grinder pump in the system
- Back-up battery for power loss notification
- Operational Data if used with E/One Sentry Protect Plus Panels

STANDALONE SENTRY ADVISOR - SIMPLEX

REMOTE MONITORING OF:

- HIGH LEVEL ALARM
- PUMP RUNNING
- PUMP OPERATIONAL DATA VIA PROTECT PLUS

CONFIGURABLE FOR VARIOUS SIGNAL TYPES (FOR HIGH LEVEL AND PUMP RUNTIME):

- EXISTING DRY CONTACTS
- DIRECT HIGH VOLTAGE SIGNALS(85 - 300VAC)
- PROTECT PLUS SERIAL DATA

WEB INTERFACE PROVIDES:

- RUN TIME HISTORY
 - DAILY, CUMULATIVE, LAST, MIN., MAX., AVG.
- CYCLE HISTORY
 - DAILY, CUMULATIVE
- EXTENDED RUN TIME ALERTS
 - CYCLE, DAILY
- GENERATE PUMP RUN AND/OR ALARM EVENT REPORTS
- MAP LOCATION OF EACH GRINDER PUMP IN THE SYSTEM WITH STATUS INDICATION
- PROTECT PLUS SERIAL DATA IF USED WITH AN E/ONE SENTRY PROTECT PLUS ALARM PANEL

NOTIFICATIONS:

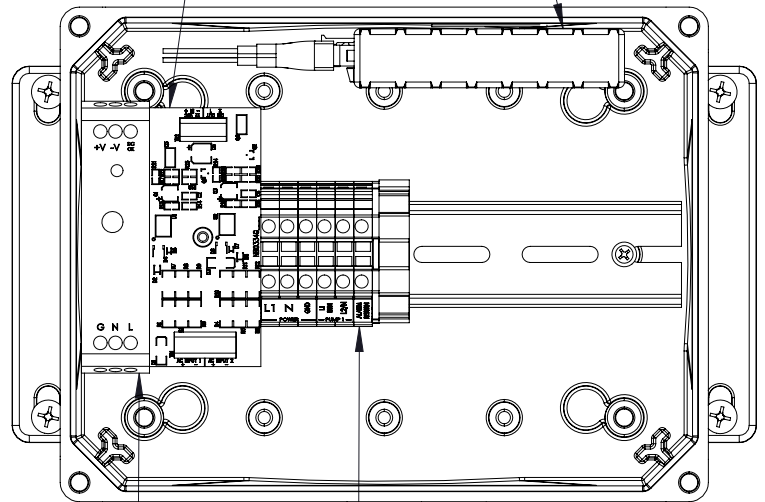
- CAN BE CONFIGURED TO SEND VARIOUS NOTIFICATIONS VIA EMAIL, TEXT, OR PHONE CALL
- BACKUP BATTERY FOR POWER LOSS NOTIFICATION

TECHNICAL:

- NEMA 4X ENCLOSURE
- OPERATING TEMPERATURE RANGE: -20C TO +70C
- SUPPLY VOLTAGE: 85 - 264VAC
- SENTRY ADVISOR ALSO AVAILABLE AS AN EXTRA FEATURE IN E/ONE CONTROL / ALARM PANELS AND AS A RETROFIT KIT FOR EXISTING E/ONE CONTROL / ALARM PANELS

SOLID STATE SIGNAL DETECTOR PCB (CREATES RUNTIME AND ALARM CONTACTS IF NEEDED)

CELLULAR MODEM WITH INTEGRATED ANTENNA



12VDC
POWER SUPPLY

TERMINALS FOR
CONNECTING
TO HOST PANEL

NEMA 4X
ENCLOSURE

TYPICAL STANDALONE SENTRY
ADVISOR ENCLOSURE, SHOWN FOR
REF. ENCLOSURE COVER NOT SHOWN

JDG	2/6/2023	SGS	B	N/A
DR BY	DATE	CHK'D	ISSUE	SCALE



STANDALONE SENTRY ADVISOR
SIMPLEX

NA0619P02



STANDALONE SENTRY ADVISOR - DUPLEX

REMOTE MONITORING OF:

- HIGH LEVEL ALARM
- PUMP 1 & 2 RUNNING
- PUMP 1 & 2 OPERATIONAL DATA VIA PROTECT PLUS

CONFIGURABLE FOR VARIOUS SIGNAL TYPES (FOR HIGH LEVEL AND PUMP 1 & 2 RUNTIME):

- EXISTING DRY CONTACTS
- DIRECT HIGH VOLTAGE SIGNALS(85 - 300VAC)
- PROTECT PLUS SERIAL DATA

WEB INTERFACE PROVIDES:

- RUN TIME HISTORY
 - DAILY, CUMULATIVE, LAST, MIN., MAX., AVG.
- CYCLE HISTORY
 - DAILY, CUMULATIVE
- EXTENDED RUN TIME ALERTS
 - CYCLE, DAILY
- GENERATE PUMP RUN AND/OR ALARM EVENT REPORTS
- MAP LOCATION OF EACH GRINDER PUMP IN THE SYSTEM WITH STATUS INDICATION
- PROTECT PLUS SERIAL DATA IF USED WITH AN E/ONE SENTRY PROTECT PLUS ALARM PANEL

NOTIFICATIONS:

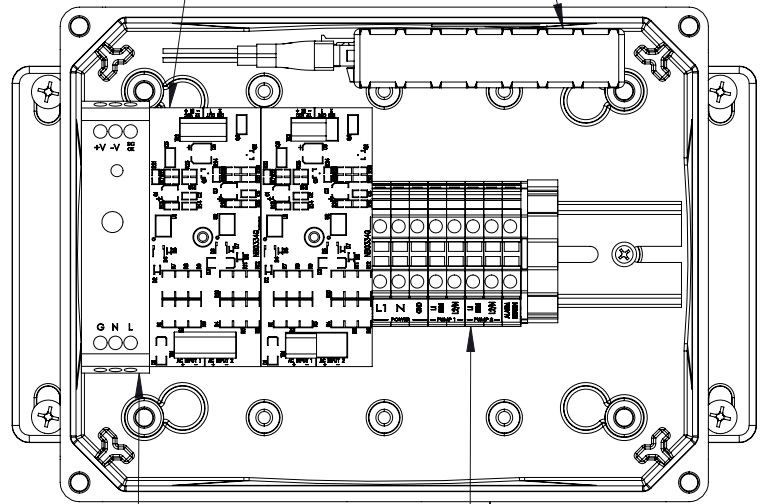
- CAN BE CONFIGURED TO SEND VARIOUS NOTIFICATIONS VIA EMAIL, TEXT, OR PHONE CALL
- BACKUP BATTERY FOR POWER LOSS NOTIFICATION

TECHNICAL:

- NEMA 4X ENCLOSURE
- OPERATING TEMPERATURE RANGE: -20C TO +70C
- SUPPLY VOLTAGE: 85 - 264VAC
- SENTRY ADVISOR ALSO AVAILABLE AS AN EXTRA FEATURE IN E/ONE CONTROL / ALARM PANELS AND AS A RETROFIT KIT FOR EXISTING E/ONE CONTROL / ALARM PANELS

SOLID STATE SIGNAL DETECTOR PCBS (CREATE RUNTIME AND ALARM CONTACTS IF NEEDED)

CELLULAR MODEM WITH INTEGRATED ANTENNA



12VDC POWER SUPPLY

TERMINALS FOR CONNECTING TO HOST PANEL

NEMA 4X ENCLOSURE

TYPICAL STANDALONE SENTRY ADVISOR ENCLOSURE, SHOWN FOR REF. ENCLOSURE COVER NOT SHOWN

JDG	2/6/2023	SGS	B	N/A
DR BY	DATE	CHK'D	ISSUE	SCALE



STANDALONE SENTRY ADVISOR
DUPLEX

NA0619P03



STANDALONE SENTRY ADVISOR - TRIPLEX

REMOTE MONITORING OF:

- HIGH LEVEL ALARM
- PUMP 1, 2, & 3 RUNNING
- PUMP 1, 2, & 3 OPERATIONAL DATA VIA PROTECT PLUS

CONFIGURABLE FOR VARIOUS SIGNAL TYPES (FOR HIGH LEVEL AND PUMP 1, 2, & 3 RUNTIME):

- EXISTING DRY CONTACTS
- DIRECT HIGH VOLTAGE SIGNALS(85 - 300VAC)
- PROTECT PLUS SERIAL DATA

WEB INTERFACE PROVIDES:

- RUN TIME HISTORY
 - DAILY, CUMULATIVE, LAST, MIN., MAX., AVG.
- CYCLE HISTORY
 - DAILY, CUMULATIVE
- EXTENDED RUN TIME ALERTS
 - CYCLE, DAILY
- GENERATE PUMP RUN AND/OR ALARM EVENT REPORTS
- MAP LOCATION OF EACH GRINDER PUMP IN THE SYSTEM WITH STATUS INDICATION
- PROTECT PLUS SERIAL DATA IF USED WITH AN E/ONE SENTRY PROTECT PLUS ALARM PANEL

NOTIFICATIONS:

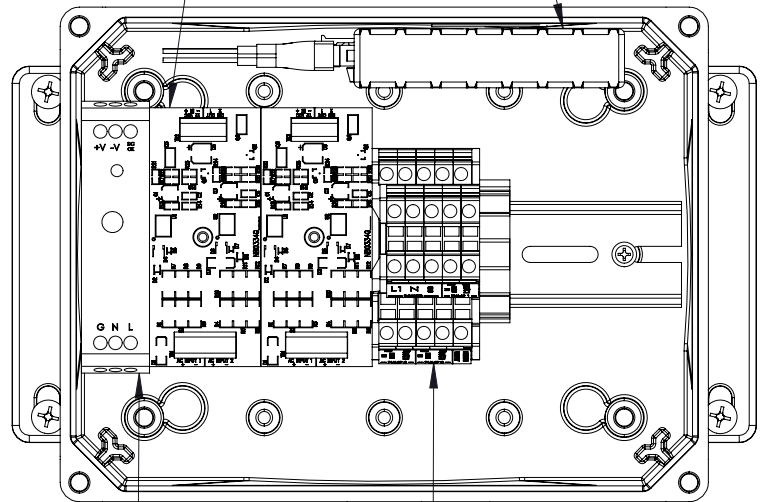
- CAN BE CONFIGURED TO SEND VARIOUS NOTIFICATIONS VIA EMAIL, TEXT, OR PHONE CALL
- BACKUP BATTERY FOR POWER LOSS NOTIFICATION

TECHNICAL:

- NEMA 4X ENCLOSURE
- OPERATING TEMPERATURE RANGE: -20C TO +70C
- SUPPLY VOLTAGE: 85 - 264VAC
- SENTRY ADVISOR ALSO AVAILABLE AS AN EXTRA FEATURE IN E/ONE CONTROL / ALARM PANELS AND AS A RETROFIT KIT FOR EXISTING E/ONE CONTROL / ALARM PANELS

SOLID STATE SIGNAL DETECTOR PCBS (CREATE RUNTIME AND ALARM CONTACTS IF NEEDED)

CELLULAR MODEM WITH INTEGRATED ANTENNA



12VDC POWER SUPPLY

TERMINALS FOR CONNECTING TO HOST PANEL

NEMA 4X ENCLOSURE

TYPICAL STANDALONE SENTRY ADVISOR ENCLOSURE, SHOWN FOR REF. ENCLOSURE COVER NOT SHOWN

JDG	2/6/2023	SGS	B	N/A
DR BY	DATE	CHK'D	ISSUE	SCALE



STANDALONE SENTRY ADVISOR
TRIPLEX

NA0619P04



STANDALONE SENTRY ADVISOR - QUADPLEX

REMOTE MONITORING OF:

- HIGH LEVEL ALARM
- PUMP 1, 2, 3, & 4 RUNNING
- PUMP 1, 2, 3, & 4 OPERATIONAL DATA VIA PROTECT PLUS

CONFIGURABLE FOR VARIOUS SIGNAL TYPES (FOR HIGH LEVEL AND PUMP 1, 2, 3, & 4 RUNTIME):

- EXISTING DRY CONTACTS
- DIRECT HIGH VOLTAGE SIGNALS(85 - 300VAC)
- PROTECT PLUS SERIAL DATA

WEB INTERFACE PROVIDES:

- RUN TIME HISTORY
 - DAILY, CUMULATIVE, LAST, MIN., MAX., AVG.
- CYCLE HISTORY
 - DAILY, CUMULATIVE
- EXTENDED RUN TIME ALERTS
 - CYCLE, DAILY
- GENERATE PUMP RUN AND/OR ALARM EVENT REPORTS
- MAP LOCATION OF EACH GRINDER PUMP IN THE SYSTEM WITH STATUS INDICATION
- PROTECT PLUS SERIAL DATA IF USED WITH AN E/ONE SENTRY PROTECT PLUS ALARM PANEL

NOTIFICATIONS:

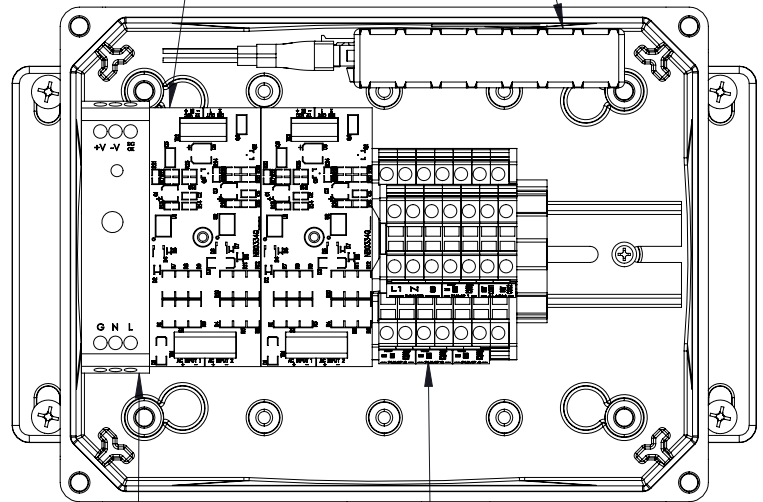
- CAN BE CONFIGURED TO SEND VARIOUS NOTIFICATIONS VIA EMAIL, TEXT, OR PHONE CALL
- BACKUP BATTERY FOR POWER LOSS NOTIFICATION

TECHNICAL:

- NEMA 4X ENCLOSURE
- OPERATING TEMPERATURE RANGE: -20C TO +70C
- SUPPLY VOLTAGE: 85 - 264VAC
- SENTRY ADVISOR ALSO AVAILABLE AS AN EXTRA FEATURE IN E/ONE CONTROL / ALARM PANELS AND AS A RETROFIT KIT FOR EXISTING E/ONE CONTROL / ALARM PANELS

SOLID STATE SIGNAL DETECTOR PCBS (CREATE RUNTIME AND ALARM CONTACTS IF NEEDED)

CELLULAR MODEM WITH INTEGRATED ANTENNA



12VDC
POWER SUPPLY

TERMINALS FOR
CONNECTING
TO HOST PANEL

NEMA 4X
ENCLOSURE

TYPICAL STANDALONE SENTRY
ADVISOR ENCLOSURE, SHOWN FOR
REF. ENCLOSURE COVER NOT SHOWN

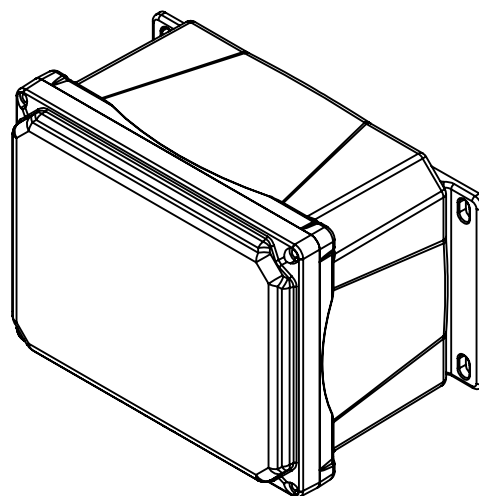
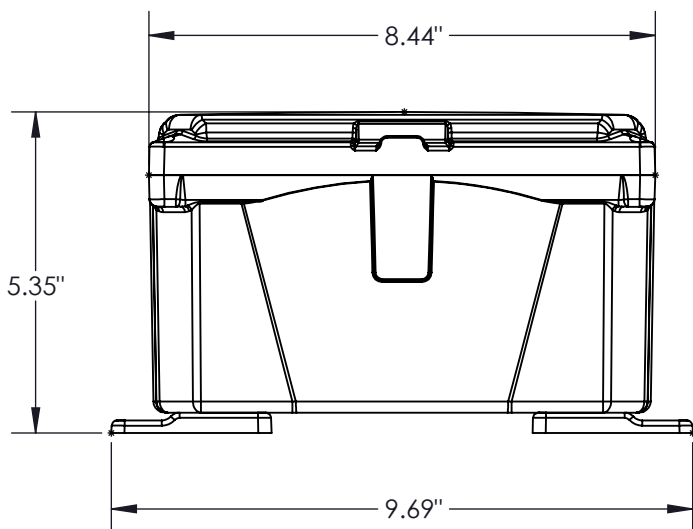
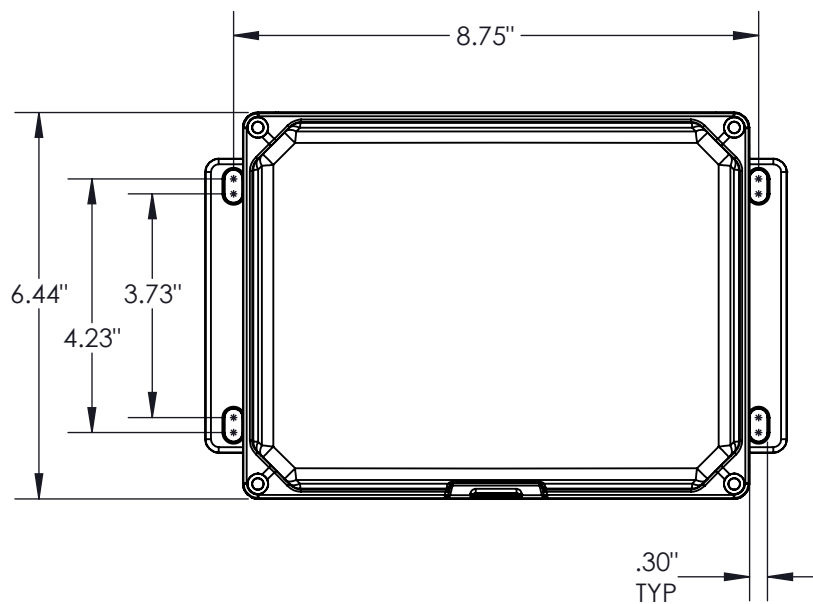
JDG	2/6/2023	SGS	B	N/A
DR BY	DATE	CHK'D	ISSUE	SCALE



STANDALONE SENTRY ADVISOR
QUADPLEX

NA0619P05





NOTES:

1. MOUNTING SCREWS ARE INCLUDED (4) #12 WOOD SCREWS
2. MATERIAL: POLYCARBONATE

SGS	05/01/20	NKS	-	5/16
DR BY	DATE	CHK'D	ISSUE	SCALE



STANDALONE SENTRY ADVISOR
DIMENSION SHEET, ALL GROUPS

NA0619P06