

# Portable Gas Analyzer

Gas purity is a critical life safety issue, making monitoring for potentially explosive levels essential.

## SPECIFICATIONS

### MEASUREMENT CHARACTERISTICS

<b>Case Purity</b>	70 to 100% H <sub>2</sub> in air
<b>Purge</b>	0 to 100% H <sub>2</sub> in CO <sub>2</sub> or H <sub>2</sub> in Argon 0 to 100% Air in CO <sub>2</sub> or Air in Argon
<b>Hydrogen Flow Rate</b>	100 to 700 cc/min, 500 cc nominal
<b>Resolution</b>	+/- 0.1%
<b>Accuracy</b>	+/- 0.5% F.S. on H <sub>2</sub> in Air +/- 1.0% F.S. on H <sub>2</sub> or Air in CO <sub>2</sub>
<b>Linearity</b>	+/- 1.0% F.S.
<b>Drift</b>	<0.2%/month

### MEASUREMENT CHARACTERISTICS

<b>Power</b>	115 VAC, 50/60 Hz or 230 VAC
<b>Output, Signal</b>	4-20 mA

### MECHANICAL CHARACTERISTICS

<b>Enclosure Dimensions</b>	Approx. 8" x 9" x 16"
<b>Area Classification</b>	None
<b>Hydrogen Pressure</b>	100 psi maximum
<b>Gas Connections</b>	¼-inch compression

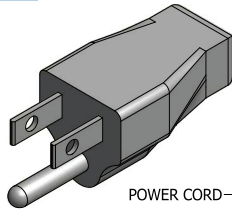


**The PGA is a triple-range sensor/analyzer** that provides a temporary means of monitoring gas purity during all phases of generator operation, including filling and purging. We've taken a proven monitoring principle — thermal conductivity — and improved upon it. The result of E/One's development work is an extremely accurate, robust, and stable analyzer that eliminates the issues of drift and need for frequent recalibration seen in other thermal conductivity systems.

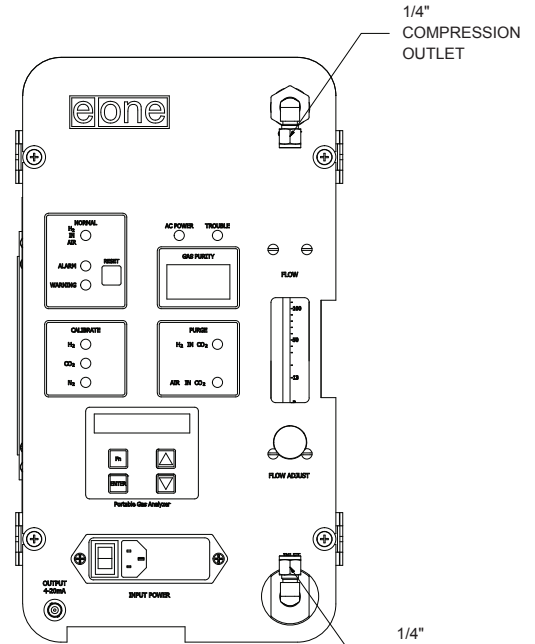
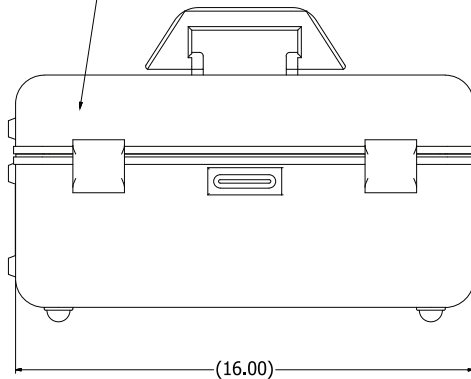
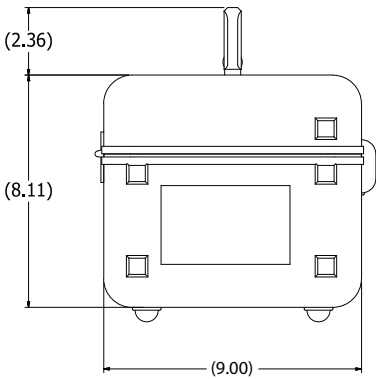
## FEATURES AND BENEFITS

- Increased generator efficiency and safety
- Microprocessor controlled
- General purpose design (for use in a safe area)
- Housed in durable carry case
- Self contained
- Can be used with CO<sub>2</sub> or Argon as a purge gas

# OUTLINE

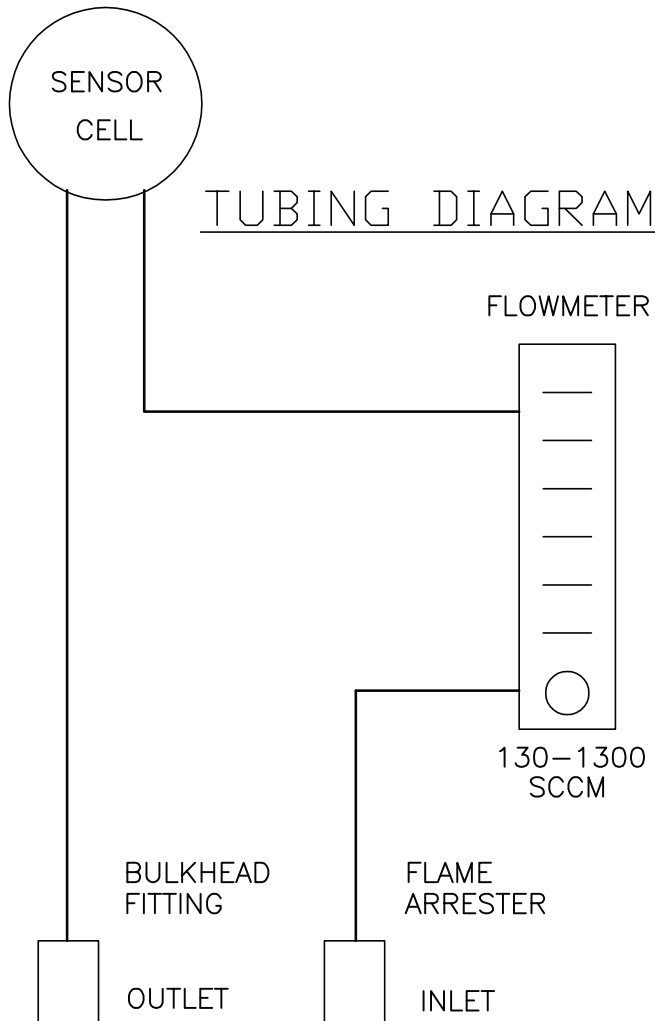


POWER CORD



NOTE: VIEW SHOWN WITHOUT COVER FOR CLARITY AND WITH CO2 AS PURGE GAS

# P & ID



Environment One Corporation  
 2773 Balltown Road / Niskayuna, NY 12309 USA  
 Voice: 518.346.6161 / Fax: 518.346.4382 / [www.eone.com/solutions](http://www.eone.com/solutions)

A PCC Company / LM000411 Rev D