

WH484

General Features

The model WH484 grinder pump station is a complete unit that includes: four grinder pumps, check valve, polyethylene tank, controls, and alarm panel. Designed for higher flow applications where local codes dictate higher storage requirements. The lower portion of the tank has a smaller diameter, tapered down to a dish-shaped bottom. The large tank access opening easily accommodates installation of the grinder pumps and equipment.

- Rated for flows of 7000 gpd (26,498 lpd)
- 486 gallons (1802 liters) of capacity
- Standard outdoor heights range from 75 inches to 122 inches

The WH484 has a cable that connects the motor controls to the level controls through watertight penetrations.

Operational Information

Motor

1 hp, 1,725 rpm, high torque, capacitor start, thermally protected, 120/240V, 60 Hz, 1 phase

Inlet Connections

4-inch inlet grommet standard for DWV pipe. Other inlet configurations available from the factory.

Discharge Connections

Pump discharge terminates in 1.25-inch NPT female thread. Can easily be adapted to 1.25-inch PVC pipe or any other material required by local codes.

Discharge

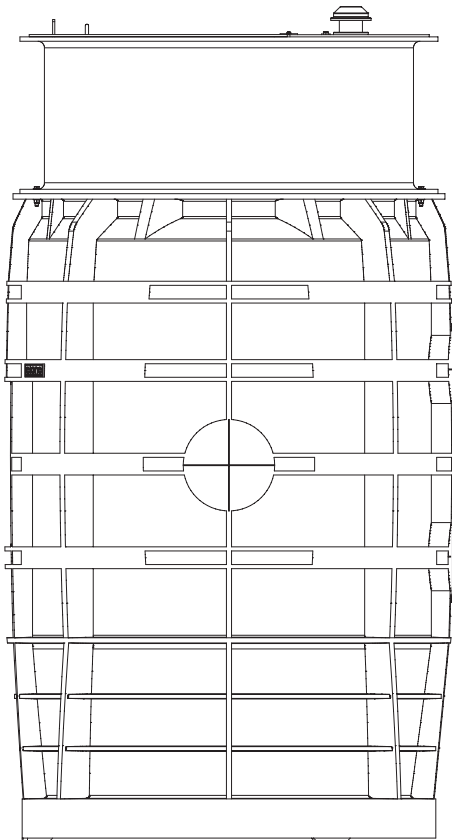
15 gpm at 0 psig (0.95 lps at 0 m)
11 gpm at 40 psig (0.69 lps at 28 m)
7.8 gpm at 80 psig (0.49 lps at 56 m)

Accessories

E/One requires that the Uni-Lateral, E/One's own stainless steel check valve, be installed between the grinder pump station and the street main for added protection against backflow.

Alarm panels are available with a variety of options, from basic monitoring to advanced notice of service requirements.

The Remote Sentry is ideal for installations where the alarm panel may be hidden from view.



DISCHARGE WYE
MANIFOLD, SS (X2)

A

A

CHECK VALVE
ANTI-SIPHON
(NORYL)

TOP VIEW W/ LID NOT SHOWN

1/3-2/3 SPLIT COVER
W/ HANDLE & PADLOCK
STAPLE (ALUMINUM)

MUSHROOM VENT

E/ONE EQUALIZER

TANK ACCESSWAY SECTION
(FIBERGLASS)

ELECTRICAL QUICK
DISCONNECT (EQD)
NEMA 6P

POWER/ALARM CABLE
(6 CONDUCTOR)
DIRECT BURY

POLYETHYLENE
MOLDED TANK
486 gal (1840 L)

CABLE CONNECTOR

DISCHARGE FTG
1-1/4" FEMALE
NPT, SS (X2)

BULKHEAD FITTING

QUICK DISCONNECT
ASSEMBLY, PVC
SLIDE FACE

INLET, EPDM GROMMET TO
ACCEPT 4.50" (114 mm) OD
PVC PIPE (STANDARD)
DUST COVER SUPPLIED FOR
SHIPMENT (NOT SUITABLE
FOR BURIAL)

ALARM

1-1/4" (32 mm) FLEXIBLE
DISCHARGE HOSE

25.84"
(656 mm)
175 gal
(662 L)

ON
OFF

17.84"
(453 mm)
117 gal
(443 L)

13.84"
(352 mm)
89 gal
(337 L)



SEMI-POSITIVE DISPLACEMENT TYPE PUMP
DIRECTLY DRIVEN BY A 1 HP MOTOR

CONCRETE BALLAST MAY BE REQUIRED
SEE INSTALLATION INSTRUCTIONS FOR DETAILS

NOTE: DIMENSIONS ARE FOR REFERENCE ONLY

JVL	JG	7/3/2024	C	1:20
DR BY	CHK'D	DATE	ISSUE	SCALE

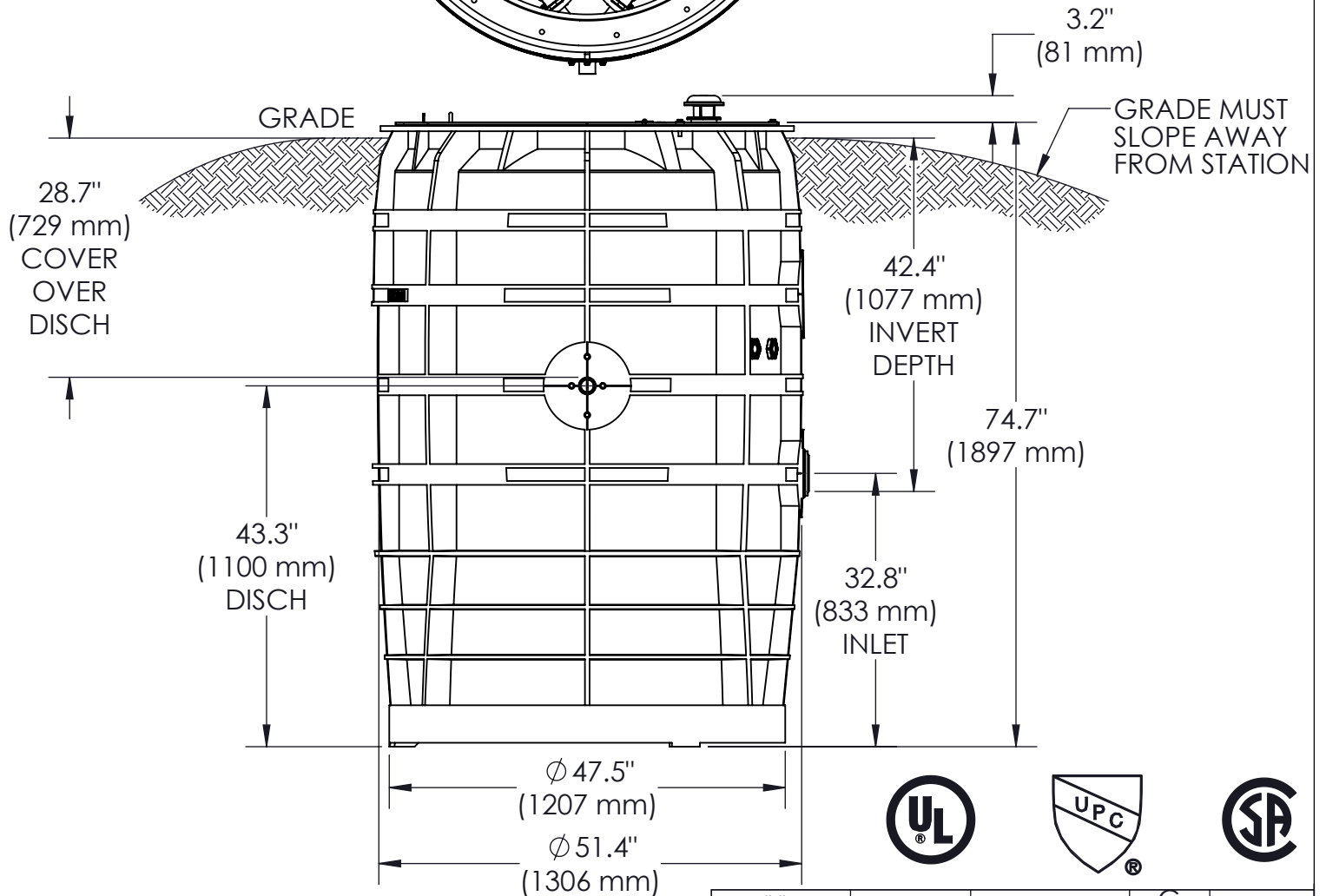
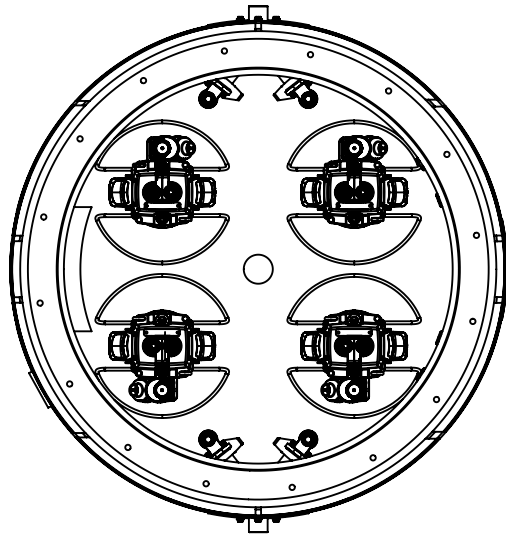


SEWER SYSTEMS

**MODEL WH484
DETAIL SHEET, QUAD**

NA0215P02

WH484-75



CONCRETE BALLAST MAY BE REQUIRED
SEE INSTALLATION INSTRUCTIONS FOR DETAILS

NOTE: DIMENSIONS ARE FOR REFERENCE ONLY

DISCHARGE: 1-1/4" NPT, SS (X2)

INLET: EPDM GROMMET FOR 4" DWV PIPE
(STANDARD)

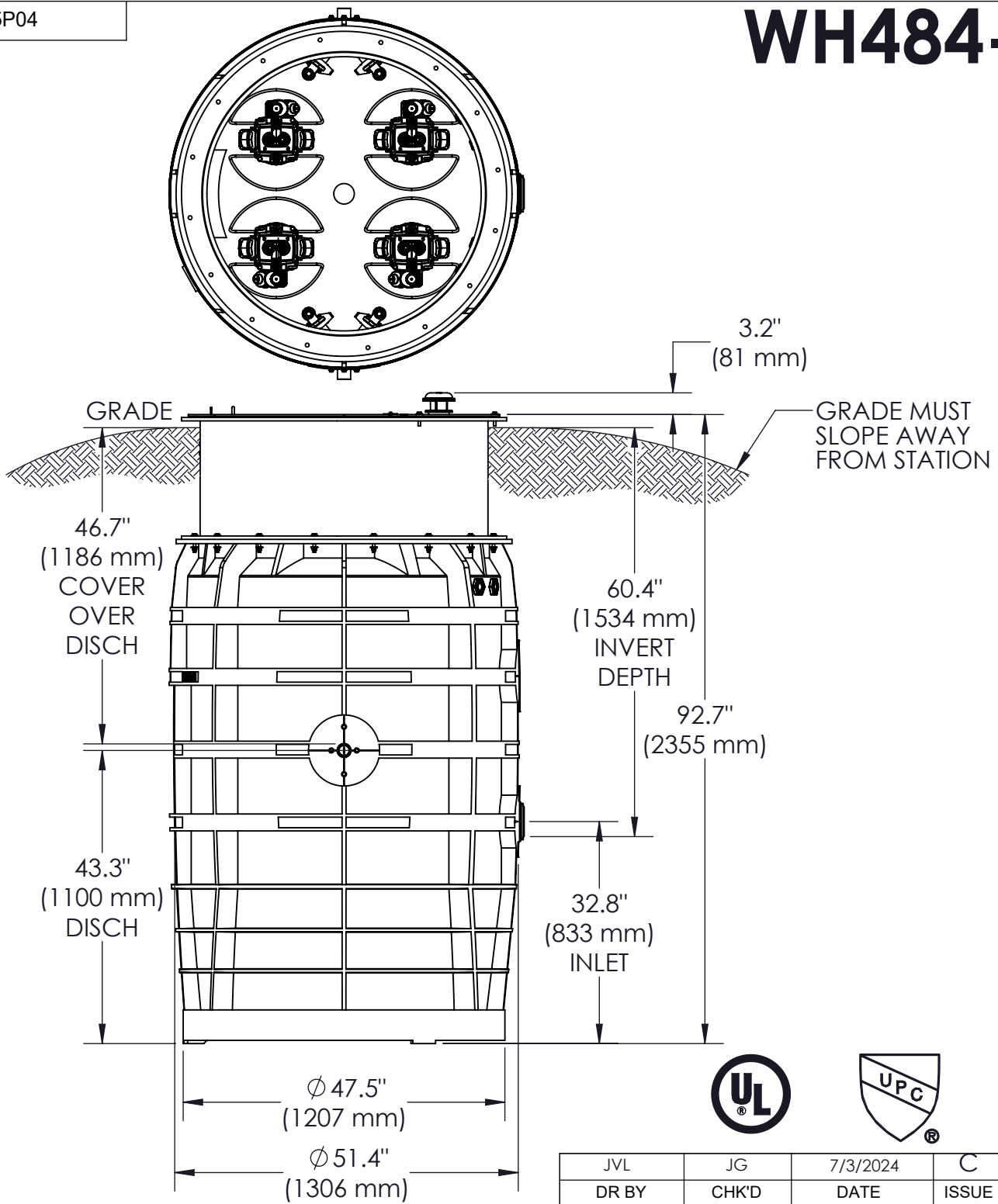
JVL	JG	7/3/2024	C	1:20
DR BY	CHK'D	DATE	ISSUE	SCALE



MODEL WH484-75

NA0215P03

WH484-92



CONCRETE BALLAST MAY BE REQUIRED
SEE INSTALLATION INSTRUCTIONS FOR DETAILS

NOTE: DIMENSIONS ARE FOR REFERENCE ONLY

DISCHARGE: 1-1/4" NPT, SS (X2)

INLET: EPDM GROMMET FOR 4" DWV PIPE
(STANDARD)



JVL	JG	7/3/2024	C	1:22
DR BY	CHK'D	DATE	ISSUE	SCALE

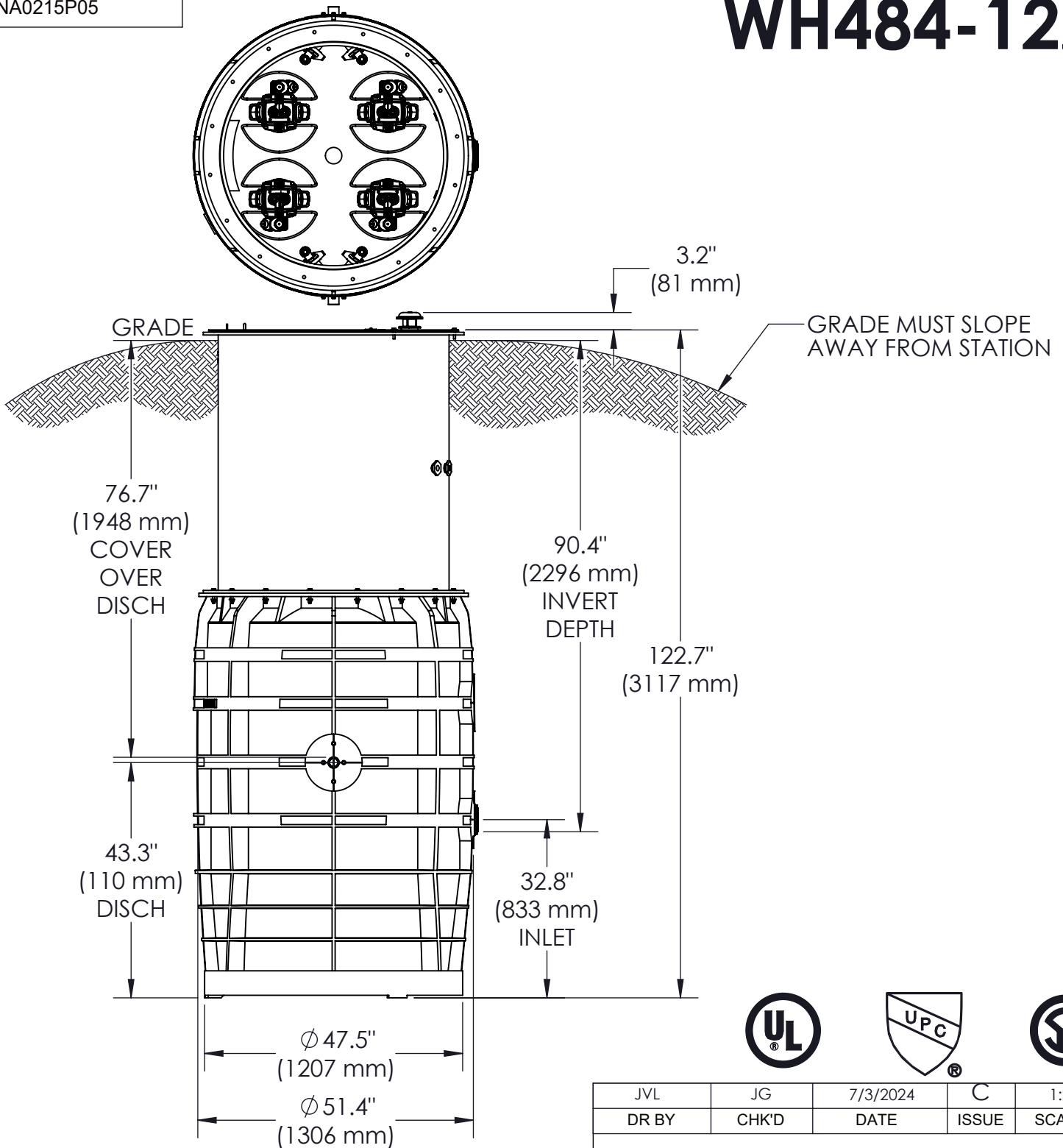


SEWER SYSTEMS

MODEL WH484-92

NA0215P04

WH484-122



JVL	JG	7/3/2024	C	1:26
DR BY	CHK'D	DATE	ISSUE	SCALE



MODEL WH484-122

NA0215P05

CONCRETE BALLAST MAY BE REQUIRED
SEE INSTALLATION INSTRUCTIONS FOR DETAILS

NOTE: DIMENSIONS ARE FOR REFERENCE ONLY

DISCHARGE: 1-1/4" NPT, SS (X2)

INLET: EPDM GROMMET FOR 4" DWV PIPE
(STANDARD)