

WH472

General Features

The model WH472 grinder pump station is a complete unit that includes: two grinder pumps, check valve, polyethylene tank, controls, and alarm panel. Designed specifically for higher-flow applications where local codes dictate higher storage requirements. The lower portion of the tank has a smaller diameter, tapered down to a dish-shaped bottom. The tank access opening is ideally sized for smaller diameter, low-profile covers for minimal "footprint."

- Rated for flows of 3500 gpd (13,249 lpd)
- 476 gallons (1802 liters) of capacity
- Standard outdoor heights range from 77 inches to 122 inches

The WH472 has a cable that connects the motor controls to the level controls through watertight penetrations.

Operational Information

Motor

1 hp, 1,725 rpm, high torque, capacitor start, thermally protected, 120/240V, 60 Hz, 1 phase

Inlet Connections

4-inch inlet grommet standard for DWV pipe. Other inlet configurations available from the factory.

Discharge Connections

Pump discharge terminates in 1.25-inch NPT female thread. Can easily be adapted to 1.25-inch PVC pipe or any other material required by local codes.

Discharge

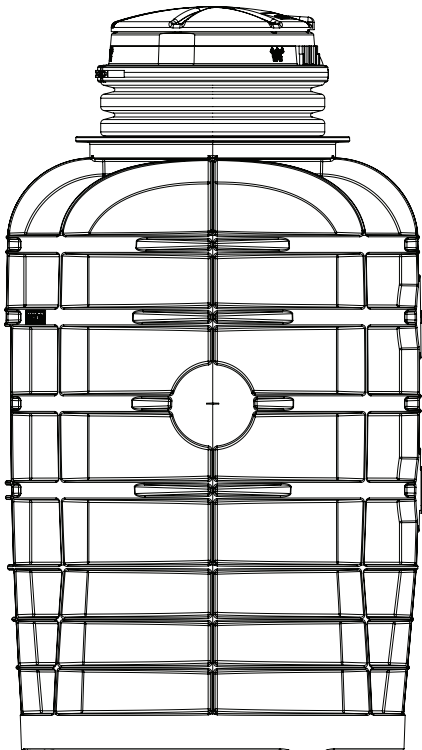
15 gpm at 0 psig (0.95 lps at 0 m)
11 gpm at 40 psig (0.69 lps at 28 m)
7.8 gpm at 80 psig (0.49 lps at 56 m)

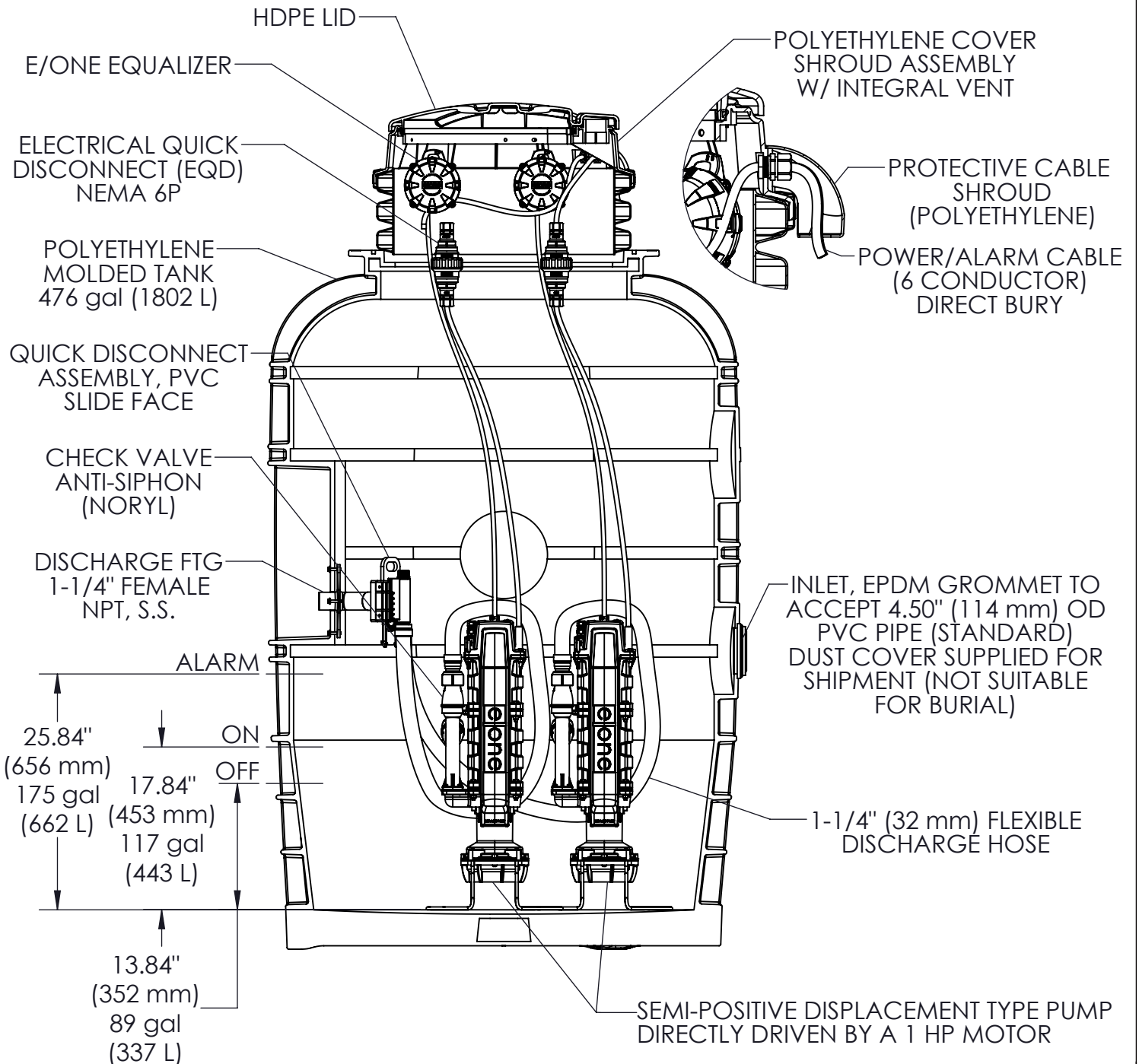
Accessories

E/One requires that the Uni-Lateral, E/One's own stainless steel check valve, be installed between the grinder pump station and the street main for added protection against backflow.

Alarm panels are available with a variety of options, from basic monitoring to advanced notice of service requirements.

The Remote Sentry is ideal for installations where the alarm panel may be hidden from view.





CONCRETE BALLAST MAY BE REQUIRED
 SEE INSTALLATION INSTRUCTIONS FOR DETAILS
 NOTE: DIMENSIONS ARE FOR REFERENCE ONLY

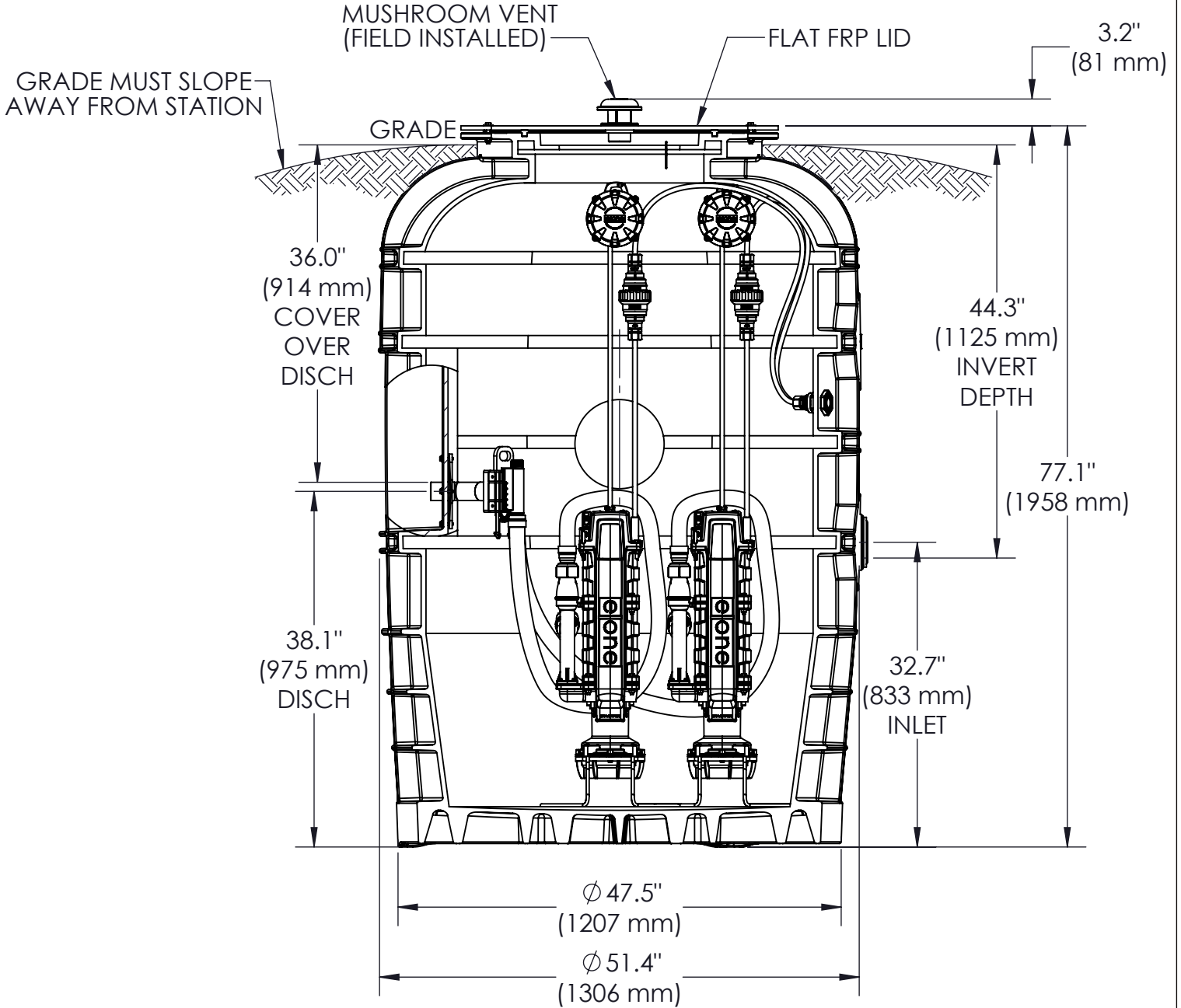


JVL	JG	6/28/2024	D	1:16
DR BY	CHK'D	DATE	ISSUE	SCALE



MODEL WH472
 DETAIL SHEET

NA0223P02



CONCRETE BALLAST MAY BE REQUIRED
SEE INSTALLATION INSTRUCTIONS FOR DETAILS

NOTE: DIMENSIONS ARE FOR REFERENCE ONLY

DISCHARGE: 1-1/4 NPT, SS

INLET: EPDM GROMMET FOR 4" DWV PIPE
(STANDARD)

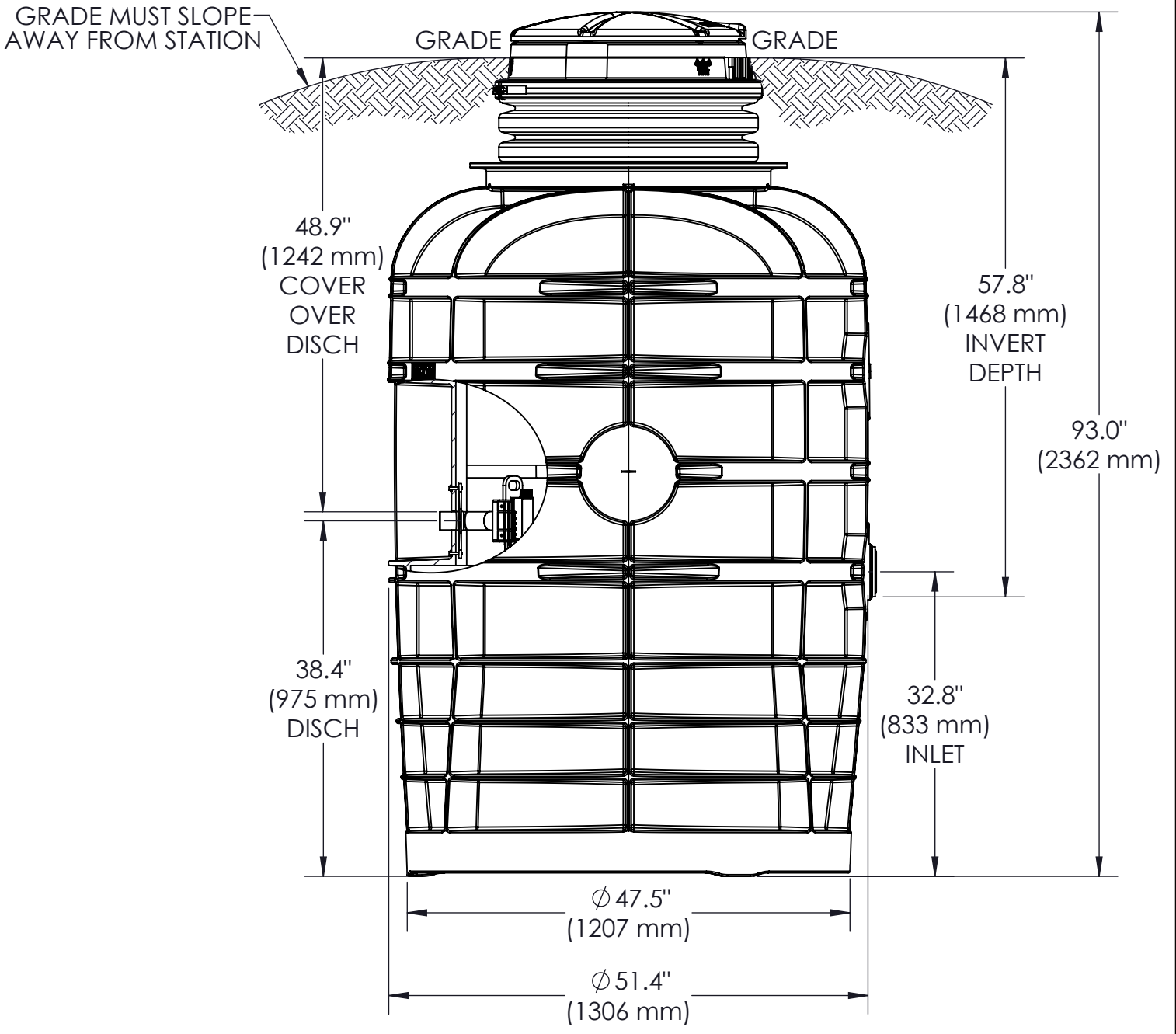


JVL	JG	6/28/2024	C	1:16
DR BY	CHK'D	DATE	ISSUE	SCALE



MODEL WH472-77

NA0223P03



CONCRETE BALLAST MAY BE REQUIRED
SEE INSTALLATION INSTRUCTIONS FOR DETAILS

NOTE: DIMENSIONS ARE FOR REFERENCE ONLY

DISCHARGE: 1-1/4 NPT, SS

INLET: EPDM GROMMET FOR 4" DWV PIPE
(STANDARD)



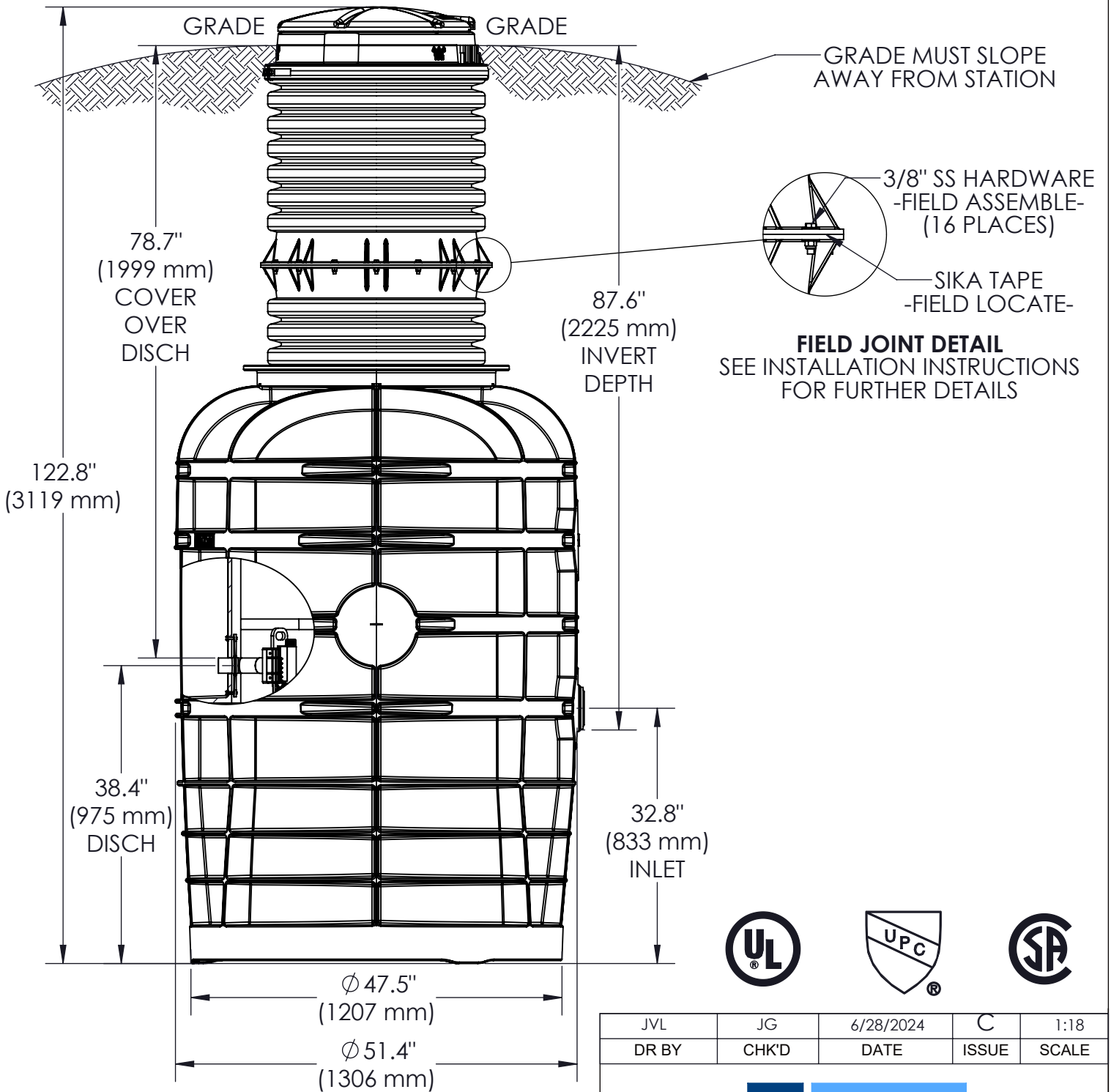
JVL	JG	6/28/2024	C	1:16
DR BY	CHK'D	DATE	ISSUE	SCALE



MODEL WH472-92

NA0223P04

WH472-122



JVL	JG	6/28/2024	C	1:18
DR BY	CHK'D	DATE	ISSUE	SCALE



MODEL WH472-122

NA0223P05

CONCRETE BALLAST MAY BE REQUIRED
SEE INSTALLATION INSTRUCTIONS FOR DETAILS

NOTE: DIMENSIONS ARE FOR REFERENCE ONLY

DISCHARGE: 1-1/4 NPT, SS

INLET: EPDM GROMMET FOR 4" DWV PIPE
(STANDARD)