

WH101F/WR101F

General Features

The model WH101F or WR101F grinder pump station is a complete unit that includes: the grinder pump, check valve, HDPE (high density polyethylene) tank, controls, and alarm panel. This station is designed for areas where high floodplain conditions occur. The WH101F or WR101F is a watertight, sealed station capable of sustaining a 15-foot flood above the top of the station. This type of flood condition will not affect the continued operation of the pump; the homeowner should rely on uninterrupted service.

- Rated for flows of 700 gpd (2650 lpd)
- 70 gallons (265 liters) of capacity
- Standard outdoor heights range from 60 inches to 160 inches

The WH101F is the “hardwired,” or “wired,” model where a cable connects the motor controls to the level controls through watertight penetrations.

The WR101F is the “radio frequency identification” (RFID), or “wireless,” model that uses wireless technology to communicate between the level controls and the motor controls.

Operational Information

Motor

1 hp, 1,725 rpm, high torque, capacitor start, thermally protected, 120/240V, 60 Hz, 1 phase

Inlet Connections

4" PVC inlet flange for Schedule 40 pipe

Discharge Connections

Pump discharge terminates in 1.25-inch NPT female thread. Can easily be adapted to 1.25-inch PVC pipe or any other material required by local codes.

Discharge

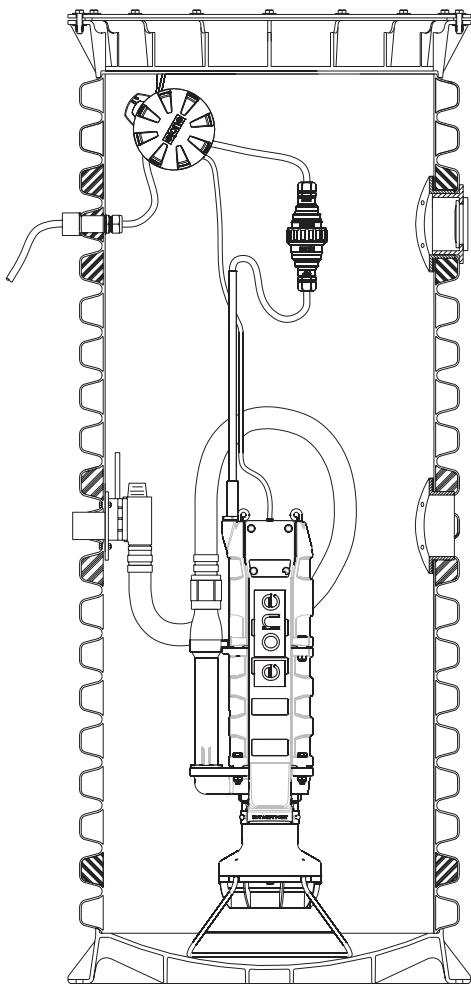
15 gpm at 0 psig (0.95 lps at 0 m)
11 gpm at 40 psig (0.69 lps at 28 m)
7.8 gpm at 80 psig (0.49 lps at 56 m)

Accessories

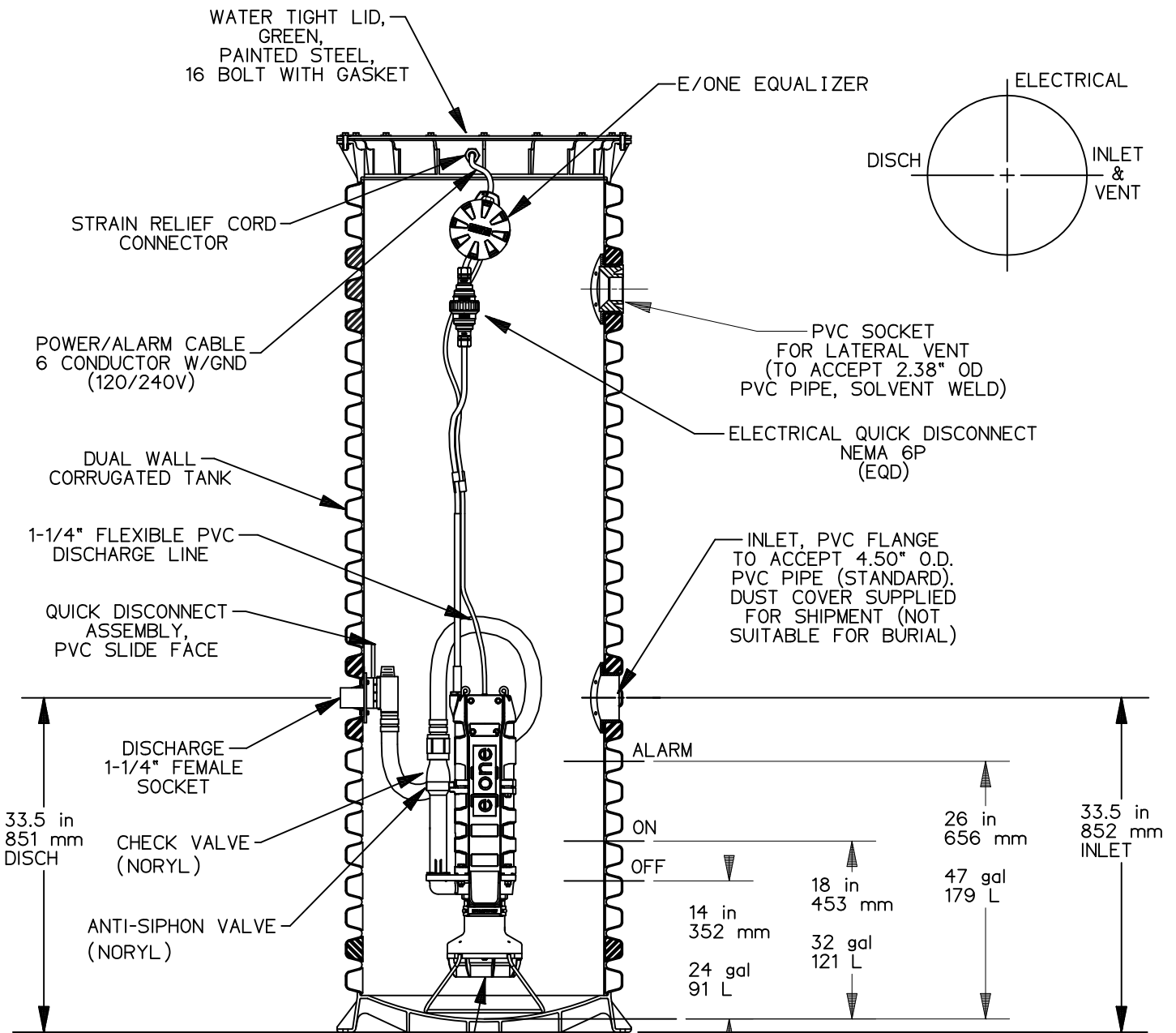
E/One requires that the Uni-Lateral, E/One’s own stainless steel check valve, be installed between the grinder pump station and the street main for added protection against backflow.

Alarm panels are available with a variety of options, from basic monitoring to advanced notice of service requirements.

The Remote Sentry is ideal for installations where the alarm panel may be hidden from view.



OPTIONS : **WH101F** (HARD WIRED LEVEL CONTROLS)
 WR101F (WIRELESS LEVEL CONTROLS)



SEMI-POSITIVE DISPLACEMENT TYPE PUMP DIRECTLY DRIVEN BY A 1 HP MOTOR



CONCRETE BALLAST MAY BE REQUIRED
 SEE INSTALLATION INSTRUCTIONS
 FOR DETAILS

SGS	PD	11/11/15	D	
DR BY	CHK'D	DATE	ISSUE	SCALE

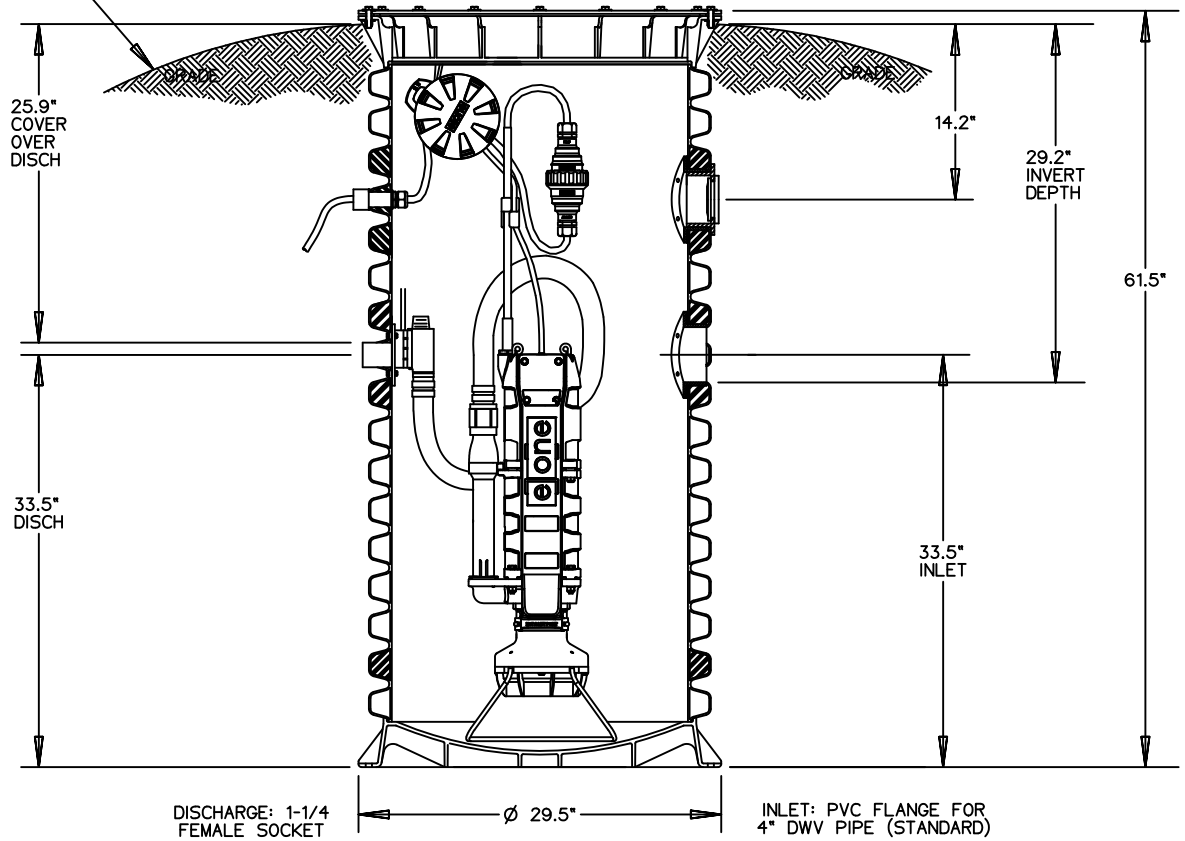


MODEL WH101F / WR101F
 DETAIL SHEET

NA0058P02

OPTIONS : **WH101F -60** (HARD WIRED LEVEL CONTROLS)
 WR101F -60 (WIRELESS LEVEL CONTROLS)

GRADE MUST SLOPE AWAY FROM STATION



CONCRETE BALLAST MAY BE REQUIRED
 SEE INSTALLATION INSTRUCTIONS
 FOR DETAILS



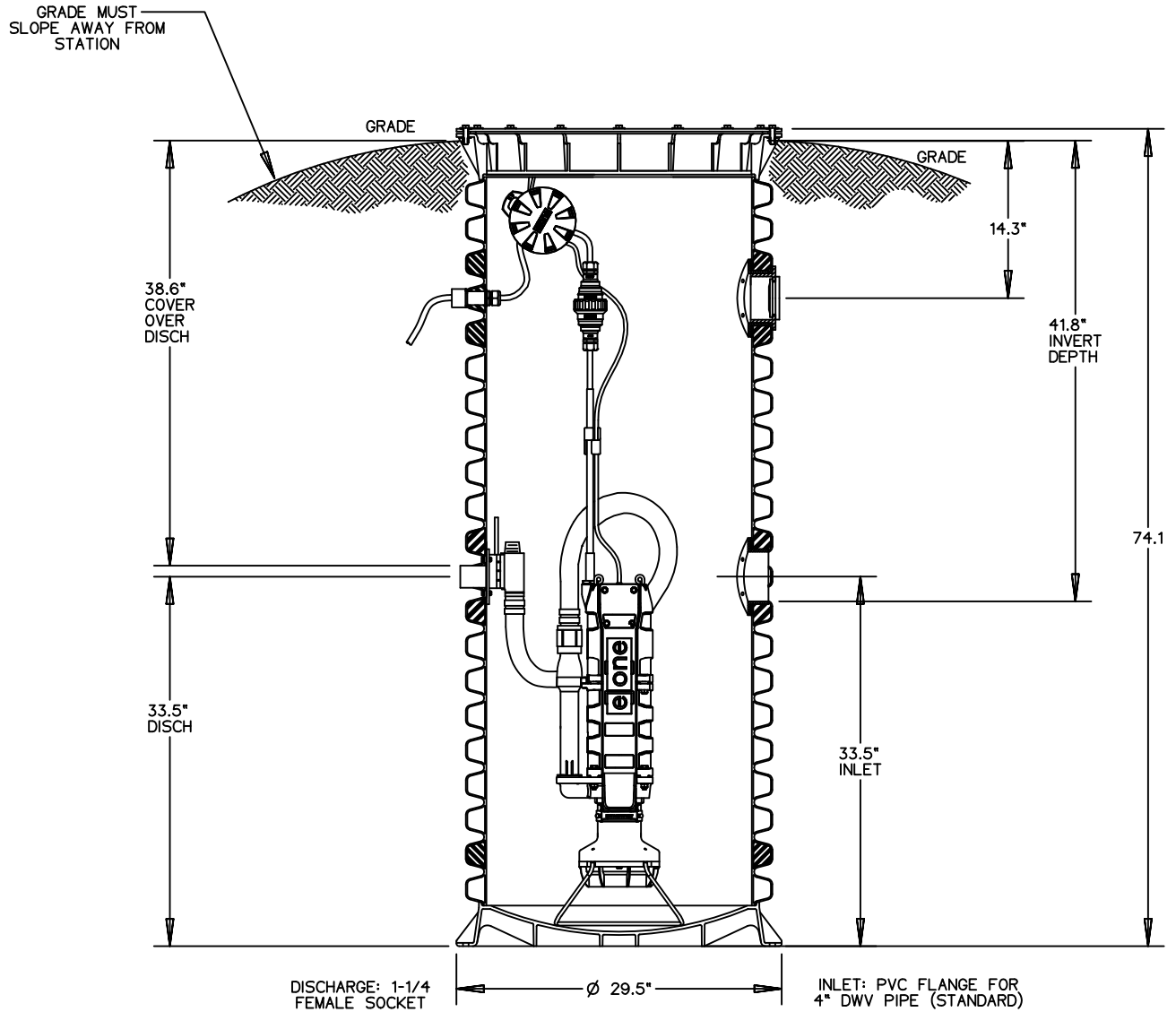
AD	CH	07/25/08	C	
DR BY	CHK'D	DATE	ISSUE	SCALE



MODEL WH101F-60 / WR101F-60

NA0058P03

OPTIONS : **WH101F-74** (HARD WIRED LEVEL CONTROLS)
 WR101F-74 (WIRELESS LEVEL CONTROLS)



CONCRETE BALLAST MAY BE REQUIRED
 SEE INSTALLATION INSTRUCTIONS
 FOR DETAILS



AD	CH	07/16/07	C	
DR BY	CHK'D	DATE	ISSUE	SCALE

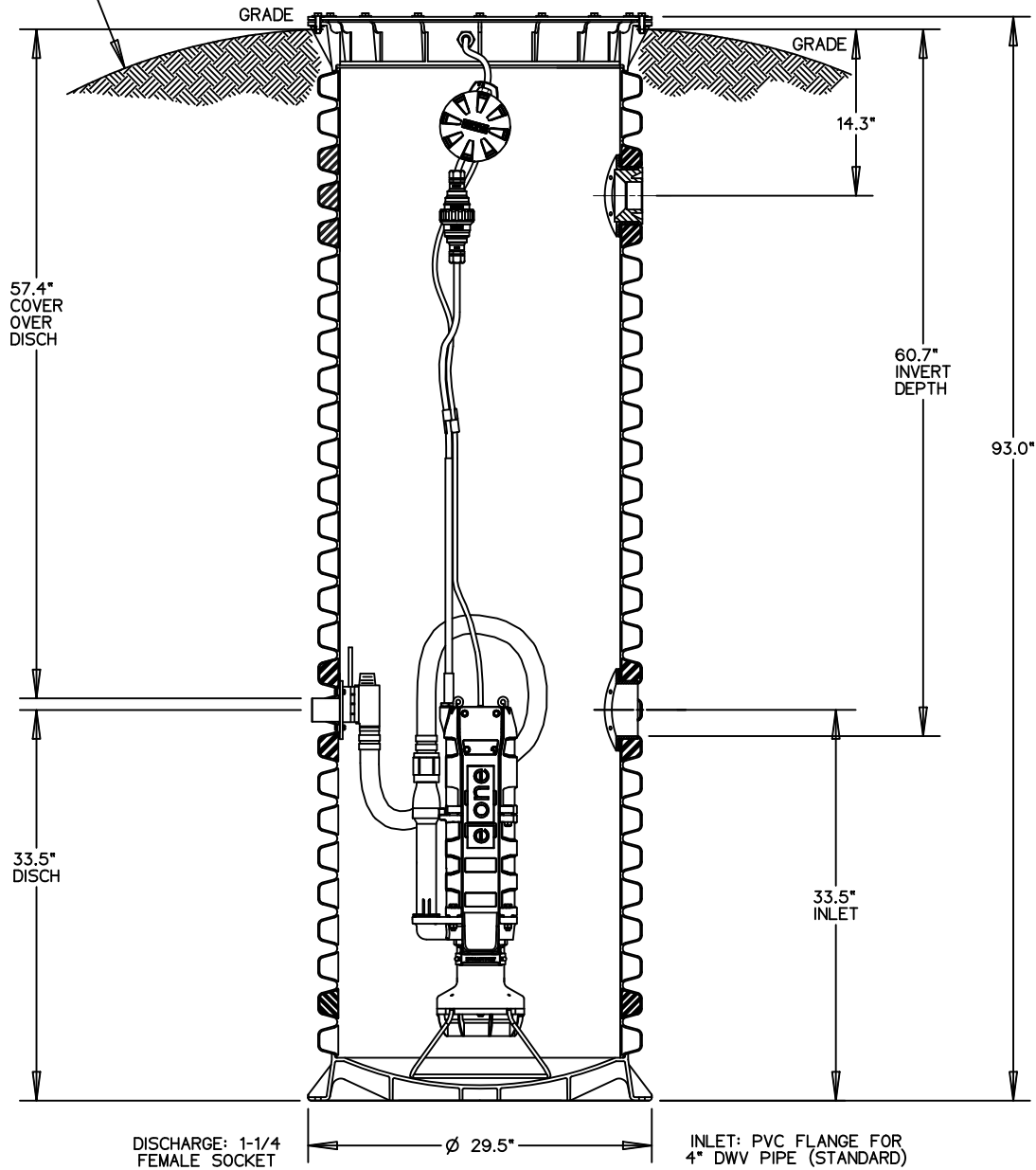


MODEL WH101F-74 / WR101F-74

NA0058P04

OPTIONS : **WH101F -92** (HARD WIRED LEVEL CONTROLS)
 WR101F -92 (WIRELESS LEVEL CONTROLS)

GRADE MUST SLOPE AWAY FROM STATION

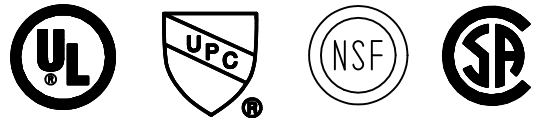
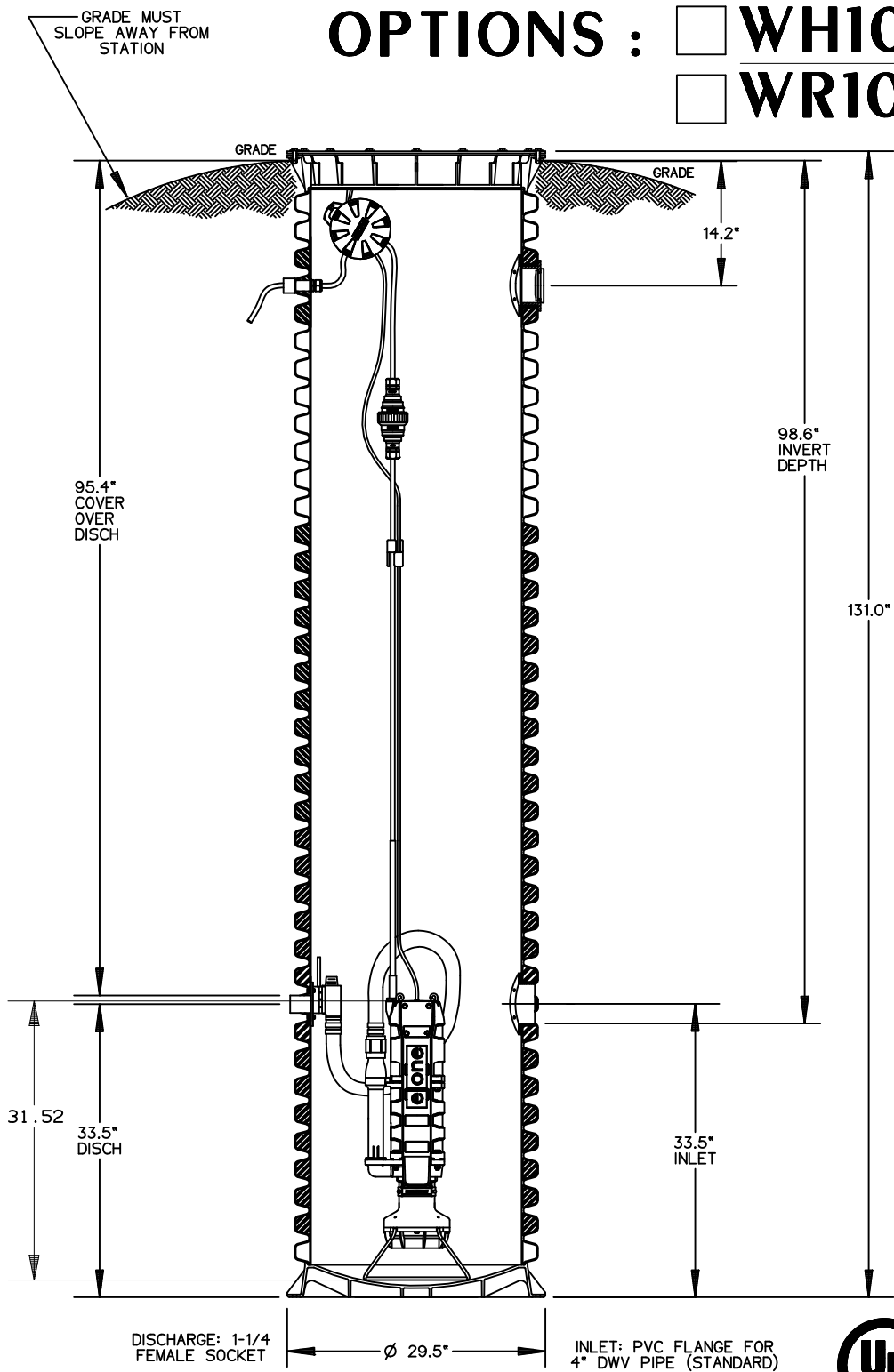


CONCRETE BALLAST MAY BE REQUIRED
 SEE INSTALLATION INSTRUCTIONS
 FOR DETAILS



SGS	PD	11/11/15	C	
DR BY	CHK'D	DATE	ISSUE	SCALE
MODEL WH101F-92 / WR101F-92				
NA0058P05				

OPTIONS : **WH101F -129** (HARD WIRED LEVEL CONTROLS)
 WR101F -129 (WIRELESS LEVEL CONTROLS)

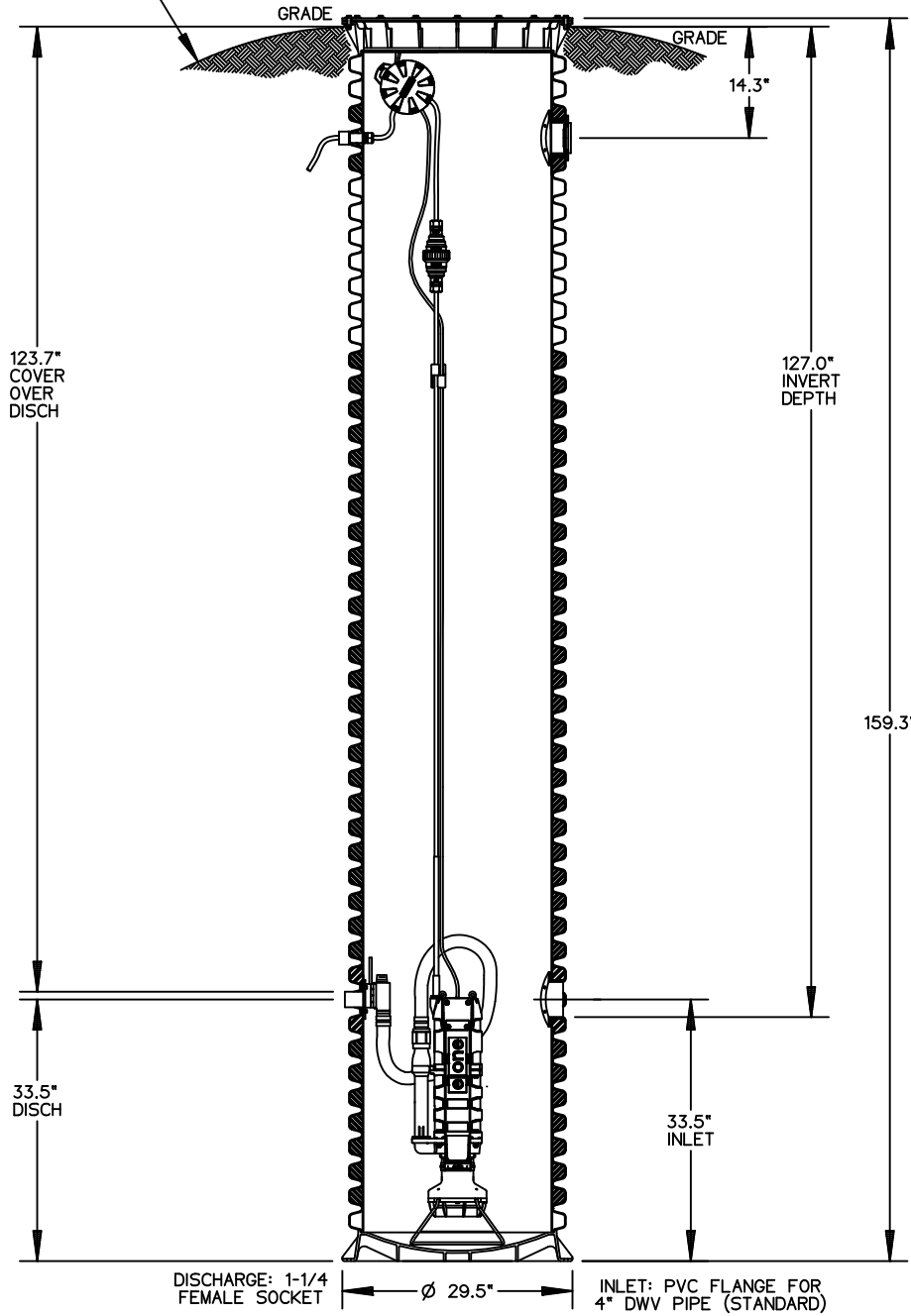


CONCRETE BALLAST MAY BE REQUIRED
 SEE INSTALLATION INSTRUCTIONS
 FOR DETAILS

AD	CH	07/16/07	C	
DR BY	CHK'D	DATE	ISSUE	SCALE
MODEL WH101F-129 / WR101F-129				
NA0058P06				

OPTIONS : **WH101F-160** (HARD WIRED LEVEL CONTROLS)
 WR101F-160 (WIRELESS LEVEL CONTROLS)

GRADE MUST SLOPE AWAY FROM STATION



CONCRETE BALLAST MAY BE REQUIRED
 SEE INSTALLATION INSTRUCTIONS
 FOR DETAILS

AD	CH	07/13/07	C	
DR BY	CHK'D	DATE	ISSUE	SCALE



MODEL WH101F-160 / WR101F-160

NA0058P07