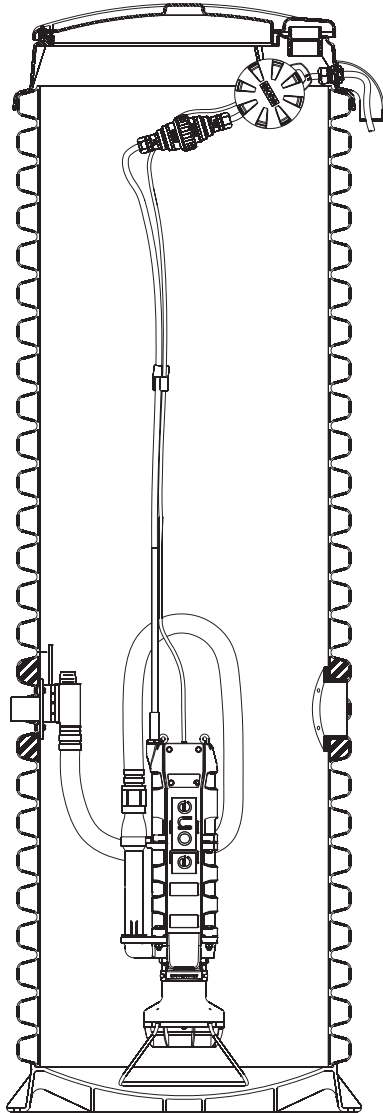


WH101/WR101



General Features

The model WH101 or WR101 grinder pump station is a complete unit that includes: the grinder pump, check valve, HDPE (high density polyethylene) tank, controls, and alarm panel. A single WH101 or WR101 can accommodate the sewage flow from two, average single-family homes.

- Rated for flows of 700 gpd (2650 lpd)
- 70 gallons (265 liters) of capacity
- Standard outdoor heights range from 60 inches to 159 inches

The WH101 is the “hardwired,” or “wired,” model where a cable connects the motor controls to the level controls through watertight penetrations.

The WR101 is the “radio frequency identification” (RFID), or “wireless,” model that uses wireless technology to communicate between the level controls and the motor controls.

Operational Information

Motor

1 hp, 1,725 rpm, high torque, capacitor start, thermally protected, 120/240V, 60 Hz, 1 phase

Inlet Connections

4” PVC inlet flange for Schedule 40 pipe

Discharge Connections

Pump discharge terminates in 1.25-inch NPT female thread. Can easily be adapted to 1.25-inch PVC pipe or any other material required by local codes.

Discharge

15 gpm at 0 psig (0.95 lps at 0 m)
11 gpm at 40 psig (0.69 lps at 28 m)
7.8 gpm at 80 psig (0.49 lps at 56 m)

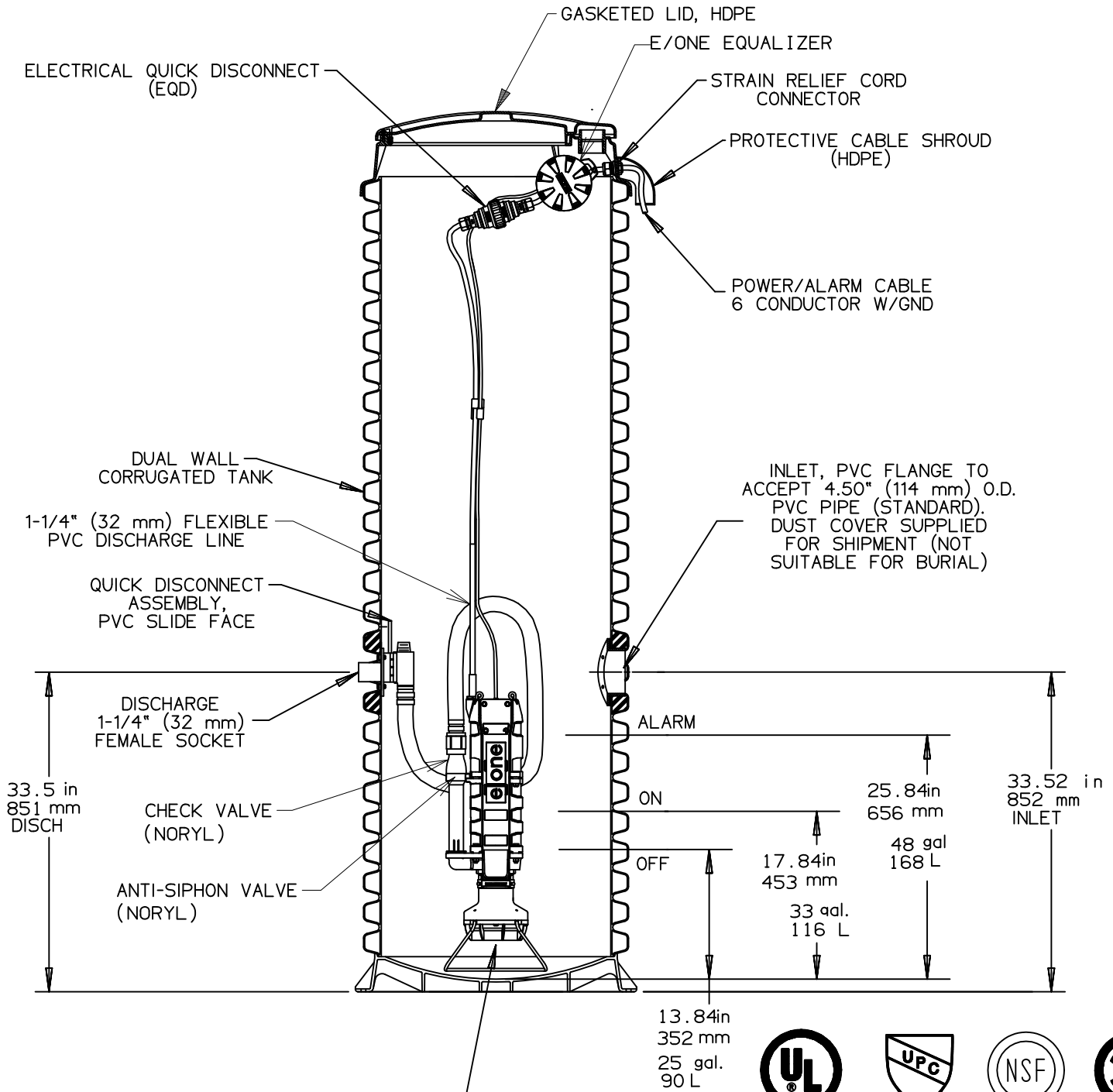
Accessories

E/One requires that the Uni-Lateral, E/One’s own stainless steel check valve, be installed between the grinder pump station and the street main for added protection against backflow.

Alarm panels are available with a variety of options, from basic monitoring to advanced notice of service requirements.

The Remote Sentry is ideal for installations where the alarm panel may be hidden from view.

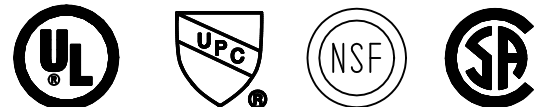
OPTIONS : **WH101** (HARD WIRED LEVEL CONTROLS)
 WR101 (WIRELESS LEVEL CONTROLS)



SEMI-POSITIVE DISPLACEMENT TYPE PUMP DIRECTLY DRIVEN BY A 1 HP MOTOR

CONCRETE BALLAST MAY BE REQUIRED SEE INSTALLATION INSTRUCTIONS FOR DETAILS

NOTE: DIMENSIONS ARE FOR REF ONLY



| | | | | |
|-------|-------|----------|-------|-------|
| AD | CH | 12/22/10 | G | |
| DR BY | CHK'D | DATE | ISSUE | SCALE |

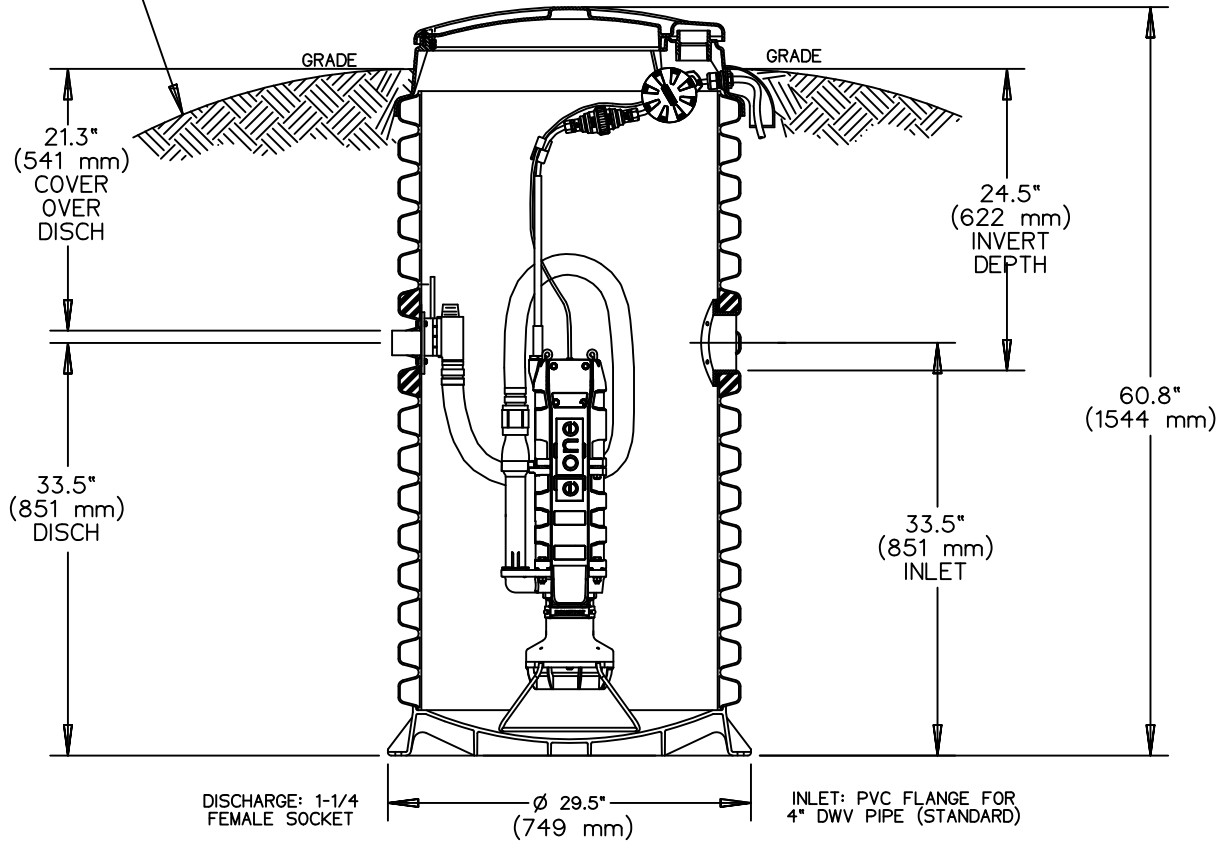


MODEL WH101 / WR101
DETAIL SHEET

NA0057P02

WH101-60
 WR101-60

GRADE MUST
SLOPE AWAY FROM
STATION



SEE INSTALLATION INSTRUCTIONS
FOR BALLAST REQUIREMENTS

NOTE: DIMENSIONS ARE FOR REF ONLY



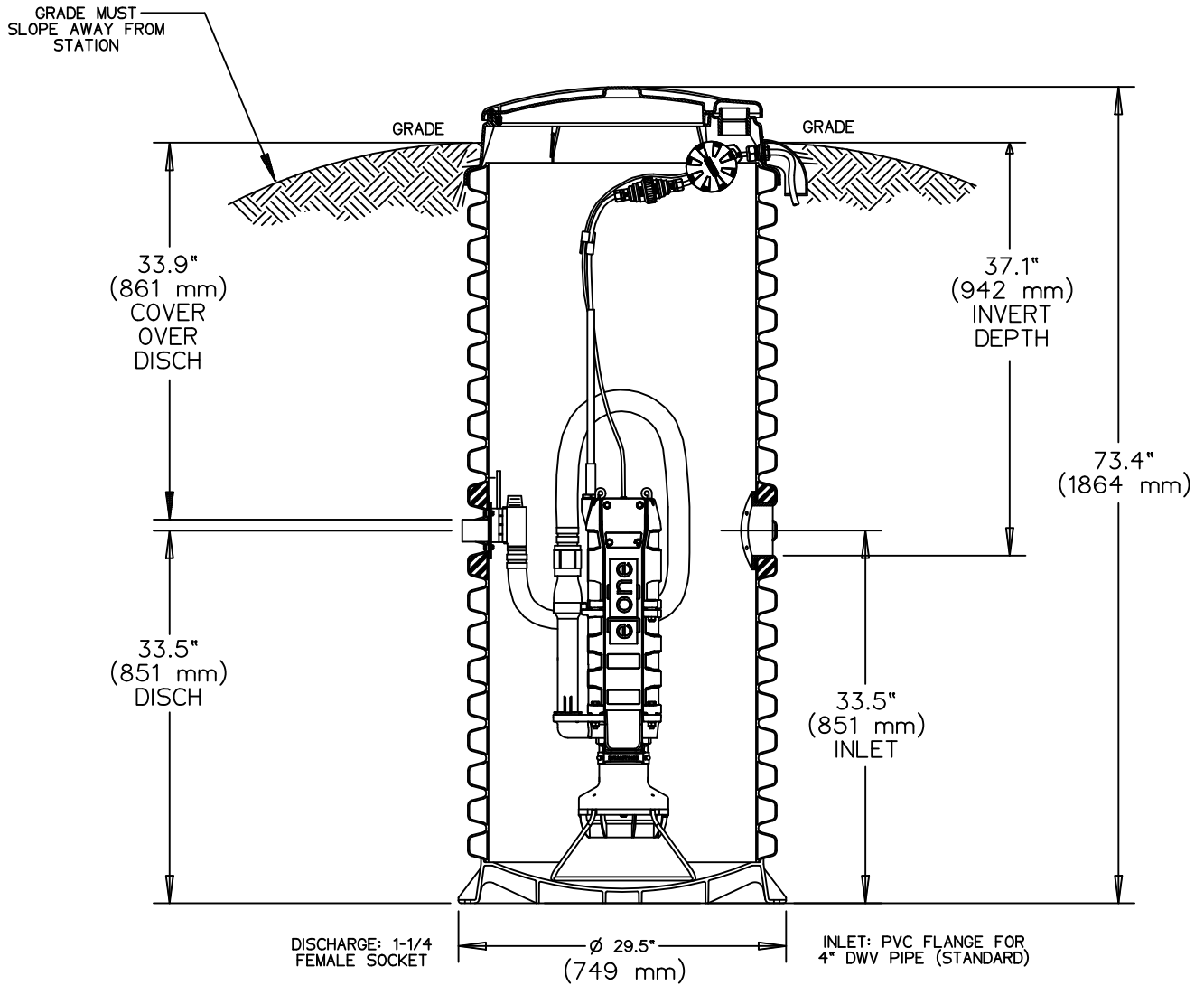
| | | | | |
|-------|-------|----------|-------|-------|
| AD | SGS | 12/22/10 | E | |
| DR BY | CHK'D | DATE | ISSUE | SCALE |



MODEL WH101-60 / WR101-60

NA0057P03

OPTIONS : **WH101-74** (HARD WIRED LEVEL CONTROLS)
 WR101-74 (WIRELESS LEVEL CONTROLS)



CONCRETE BALLAST MAY BE REQUIRED
 SEE INSTALLATION INSTRUCTIONS
 FOR DETAILS

NOTE: DIMENSIONS ARE FOR REF ONLY



| | | | | |
|-------|-------|----------|-------|-------|
| AD | SGS | 12/22/10 | E | |
| DR BY | CHK'D | DATE | ISSUE | SCALE |

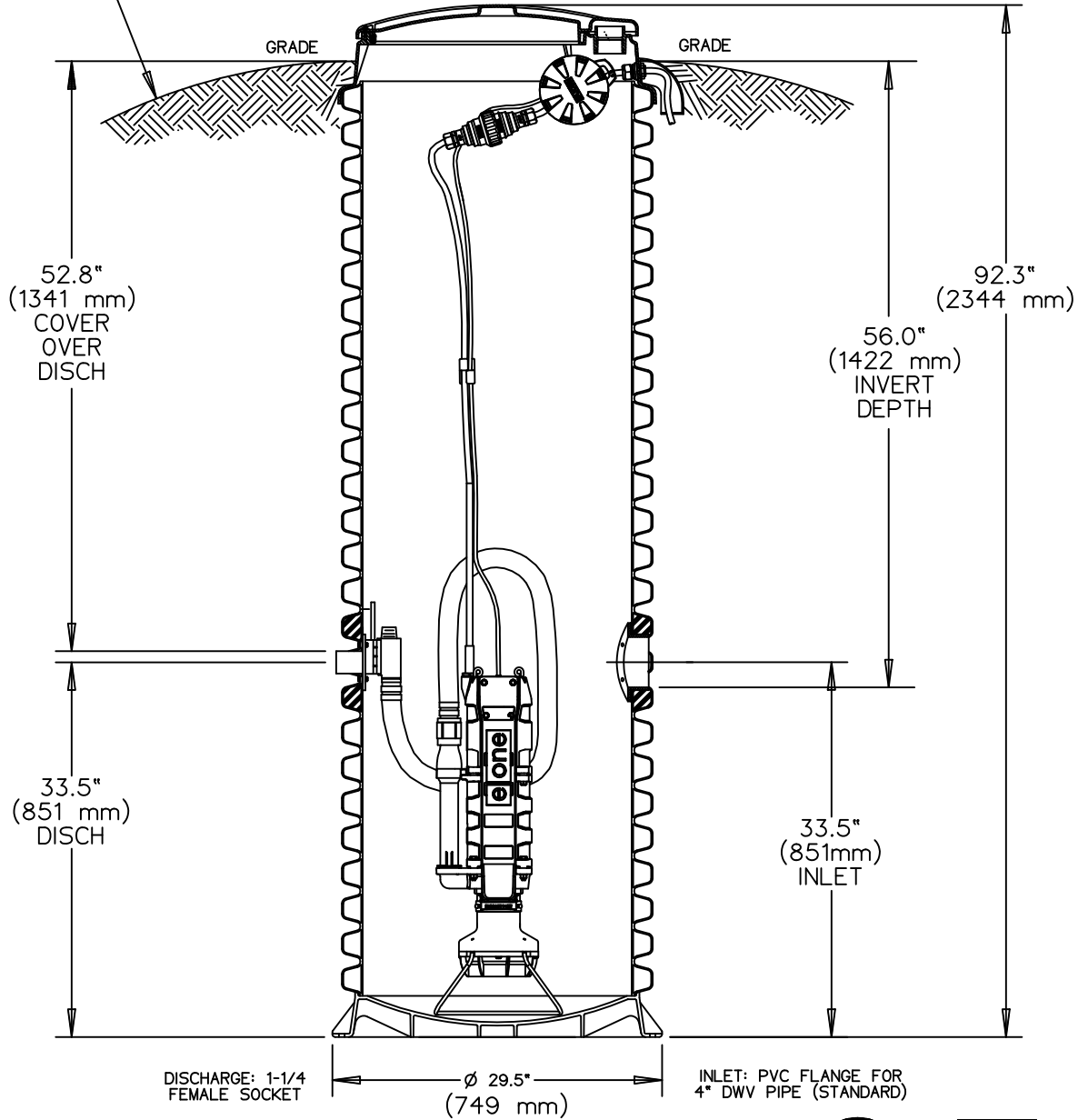


MODEL WH101-74 / WR101-74

NA0057P04

OPTIONS : **WH101-92** (HARD WIRED LEVEL CONTROLS)
 WR101-92 (WIRELESS LEVEL CONTROLS)

GRADE MUST SLOPE AWAY FROM STATION



CONCRETE BALLAST MAY BE REQUIRED
SEE INSTALLATION INSTRUCTIONS
FOR DETAILS

NOTE: DIMENSIONS ARE FOR REF ONLY



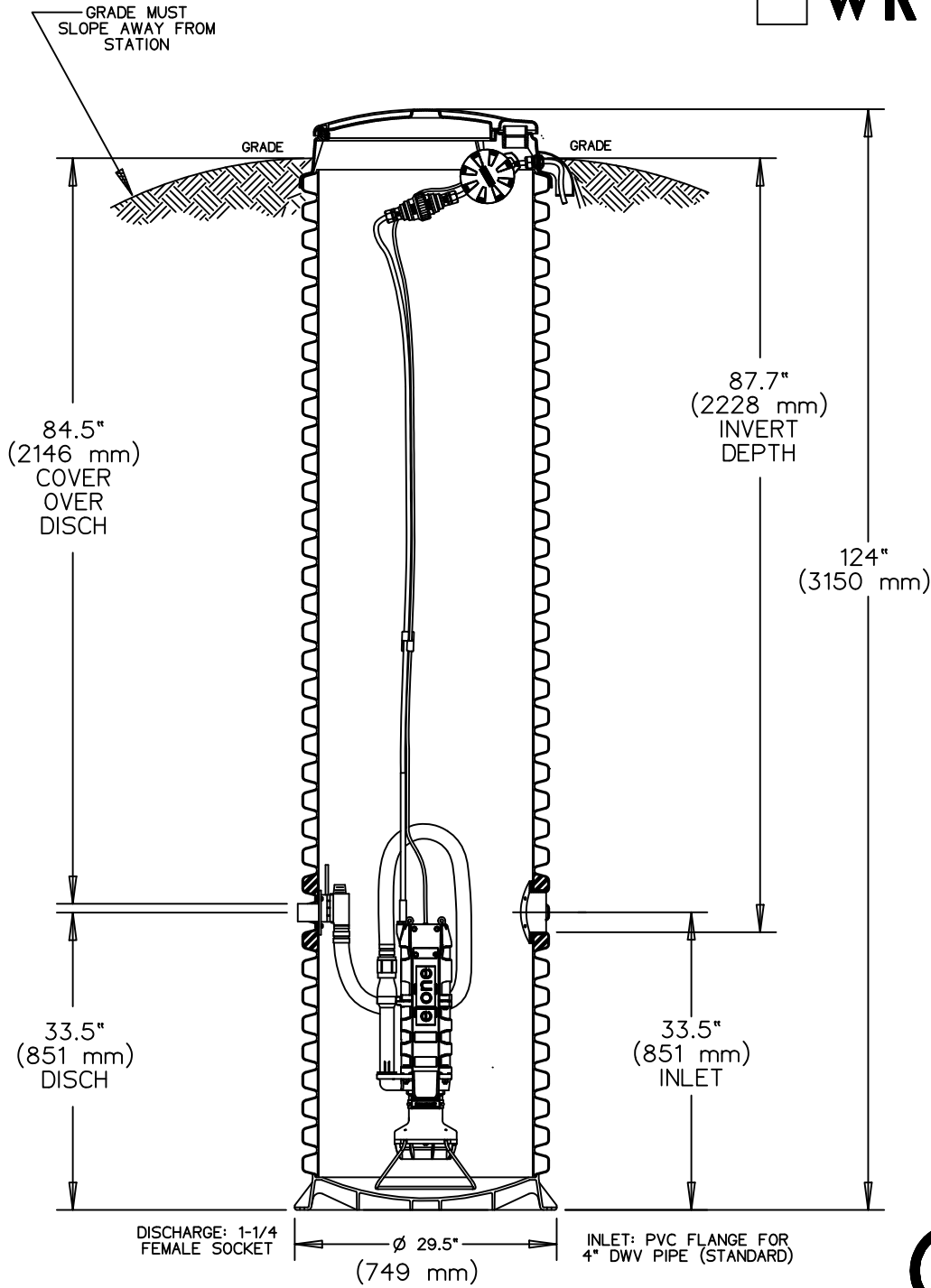
| | | | | |
|-------|-------|----------|-------|-------|
| AD | SGS | 12/23/10 | E | |
| DR BY | CHK'D | DATE | ISSUE | SCALE |



MODEL WH101-92 / WR101-92

NA0057P05

OPTIONS : **WH101-124** (HARD WIRED LEVEL CONTROLS)
 WR101-124 (WIRELESS LEVEL CONTROLS)



CONCRETE BALLAST MAY BE REQUIRED
 SEE INSTALLATION INSTRUCTIONS
 FOR DETAILS

NOTE: DIMENSIONS ARE FOR REF ONLY

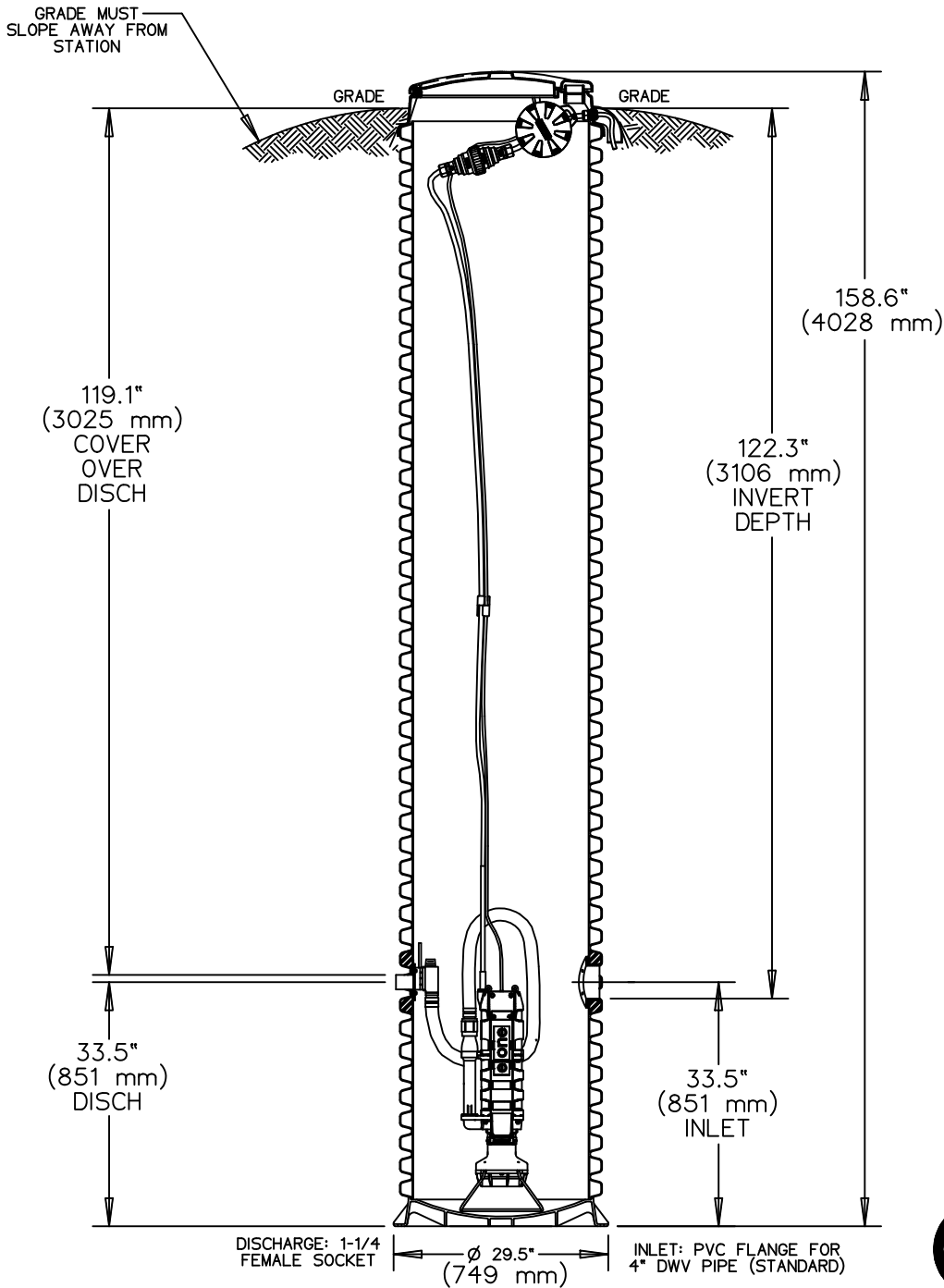
| | | | | |
|-------|-------|----------|-------|-------|
| AD | SGS | 12/23/10 | E | |
| DR BY | CHK'D | DATE | ISSUE | SCALE |



MODEL WH101-124 / WR101-124

NA0057P06

OPTIONS : **WH101-159** (HARD WIRED LEVEL CONTROLS)
 WR101-159 (WIRELESS LEVEL CONTROLS)



CONCRETE BALLAST MAY BE REQUIRED
 SEE INSTALLATION INSTRUCTIONS
 FOR DETAILS

NOTE: DIMENSIONS ARE FOR REF ONLY

| | | | | |
|-----------------------------|-------|----------|-------|-------|
| AD | SGS | 12/23/10 | E | |
| DR BY | CHK'D | DATE | ISSUE | SCALE |
| | | | | |
| MODEL WH101-159 / WR101-159 | | | | |
| NA0057P07 | | | | |