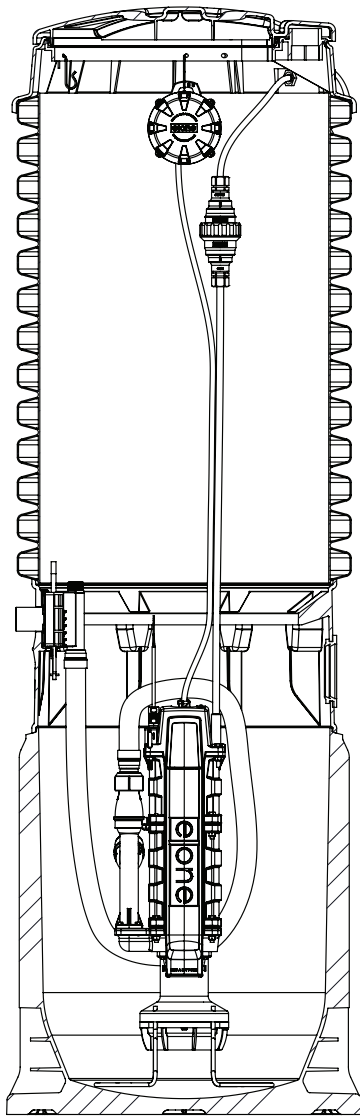


## WH101



### General Features

The model WH101 grinder pump station is a complete unit that includes: the grinder pump, check valve, HDPE (high density polyethylene) tank, controls, and alarm panel. A single WH101 can accommodate the sewage flow from two, average single-family homes.

- Rated for flows of 700 gpd (2650 lpd)
- 100 gallons (379 liters) of capacity
- Standard outdoor heights range from 60 inches to 159 inches

The WH101 has a cable that connects the motor controls to the level controls through watertight penetrations.

### Operational Information

#### *Motor*

1 hp, 1,725 rpm, high torque, capacitor start, thermally protected, 120/240V, 60 Hz, 1 phase

#### *Inlet Connections*

4-inch inlet grommet standard for DWV pipe. Other inlet configurations available from the factory.

#### *Discharge Connections*

Pump discharge terminates in 1.25-inch NPT female thread or socket fitting. Can easily be adapted to 1.25-inch PVC pipe or any other material required by local codes.

#### *Discharge*

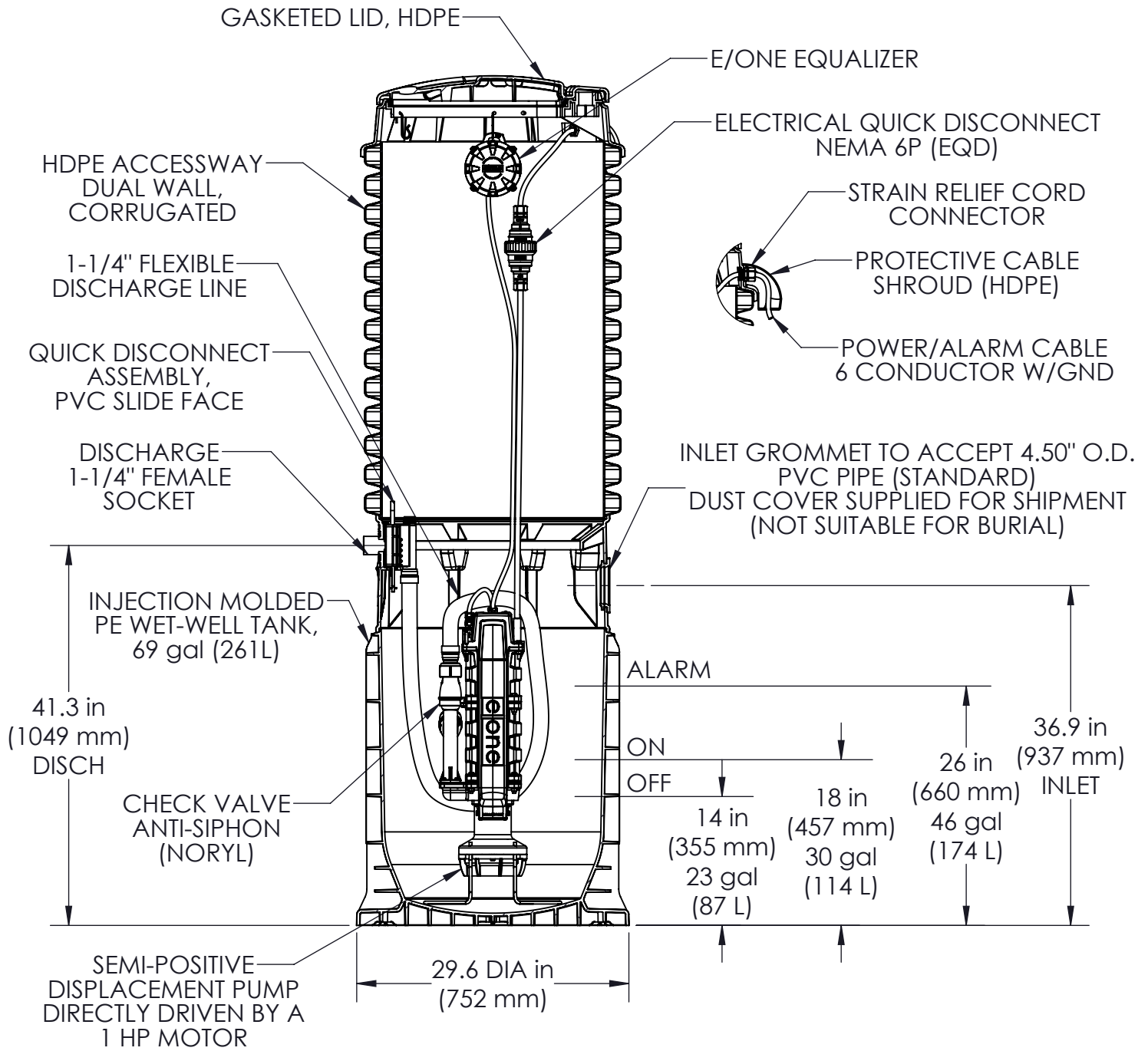
15 gpm at 0 psig (0.95 lps at 0 m)  
11 gpm at 40 psig (0.69 lps at 28 m)  
7.8 gpm at 80 psig (0.49 lps at 56 m)

### Accessories

E/One requires that the Uni-Lateral, E/One's own stainless steel check valve, be installed between the grinder pump station and the street main for added protection against backflow.

Alarm panels are available with a variety of options, from basic monitoring to advanced notice of service requirements.

The Remote Sentry is ideal for installations where the alarm panel may be hidden from view.



CONCRETE BALLAST NOT REQUIRED  
 NOTE: DIMENSIONS ARE FOR REF ONLY

JV	JG	7/26/2023	H	1:16
DR BY	CHK'D	DATE	ISSUE	SCALE

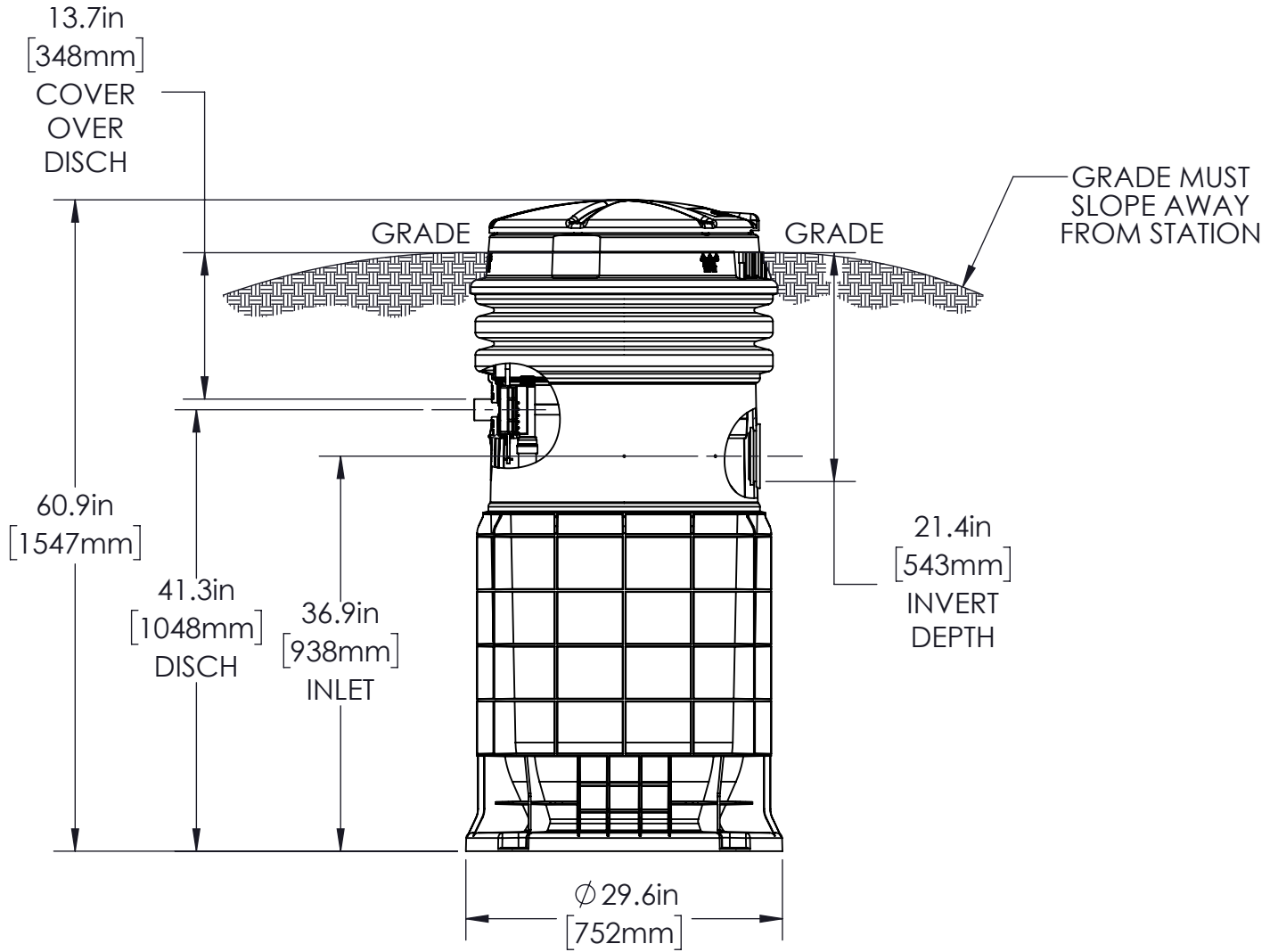


MODEL WH101  
 DETAIL SHEET

NA0057P02



# WH101-60



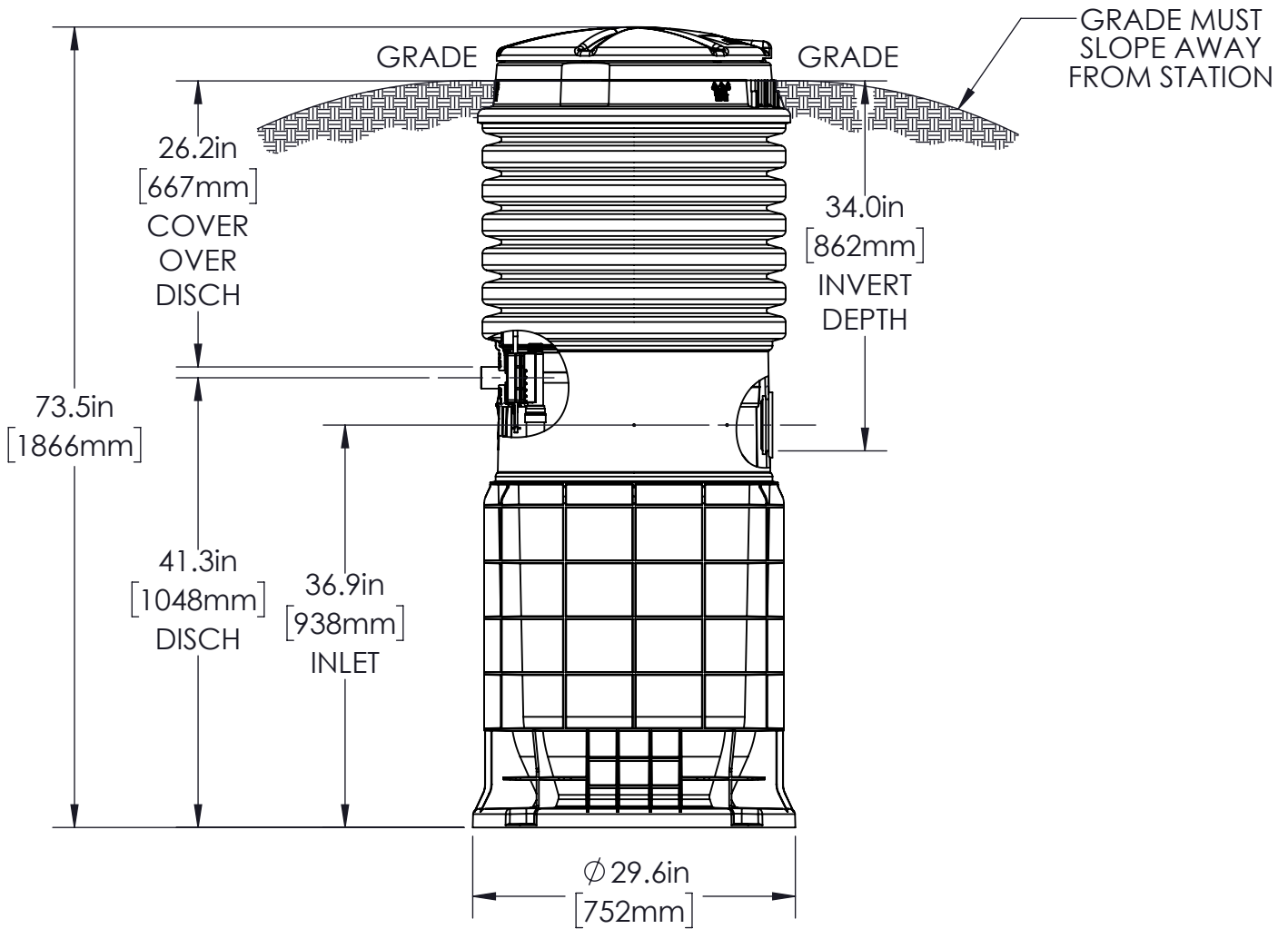
JVL	JG	9/14/2023	F	1:16
DR BY	CHK'D	DATE	ISSUE	SCALE

NOTE: DIMENSIONS ARE FOR REF ONLY  
 CONCRETE BALLAST NOT REQUIRED  
 DISCHARGE: 1-1/4in FEMALE SOCKET (STANDARD)  
 INLET: EPDM GROMMET FOR 4in DWV PIPE (STANDARD)



MODEL WH101-60  
 CUT SHEET

NA0057P03



NOTE: DIMENSIONS ARE FOR REF ONLY  
 CONCRETE BALLAST NOT REQUIRED  
 DISCHARGE: 1-1/4in FEMALE SOCKET (STANDARD)  
 INLET: EPDM GROMMET FOR 4in DWV PIPE (STANDARD)

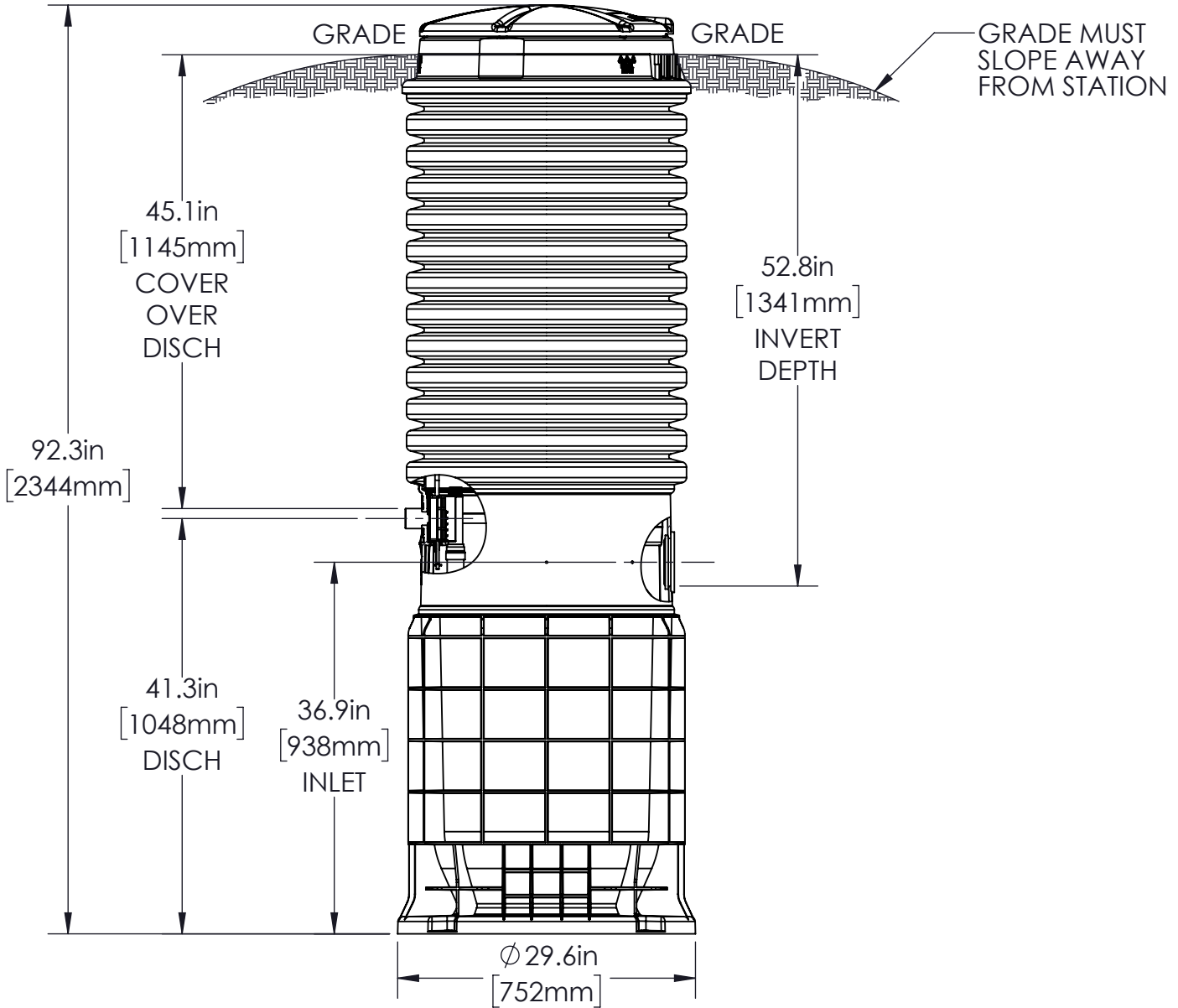
JVL	JG	9/14/2023	F	1:16
DR BY	CHK'D	DATE	ISSUE	SCALE



MODEL WH101-74  
 CUT SHEET

NA0057P04

# WH101-92



JVL	JG	9/14/2023	F	1:16
DR BY	CHK'D	DATE	ISSUE	SCALE

NOTE: DIMENSIONS ARE FOR REF ONLY

CONCRETE BALLAST NOT REQUIRED

DISCHARGE: 1-1/4in FEMALE SOCKET  
(STANDARD)

INLET: EPDM GROMMET FOR 4in DWV PIPE  
(STANDARD)



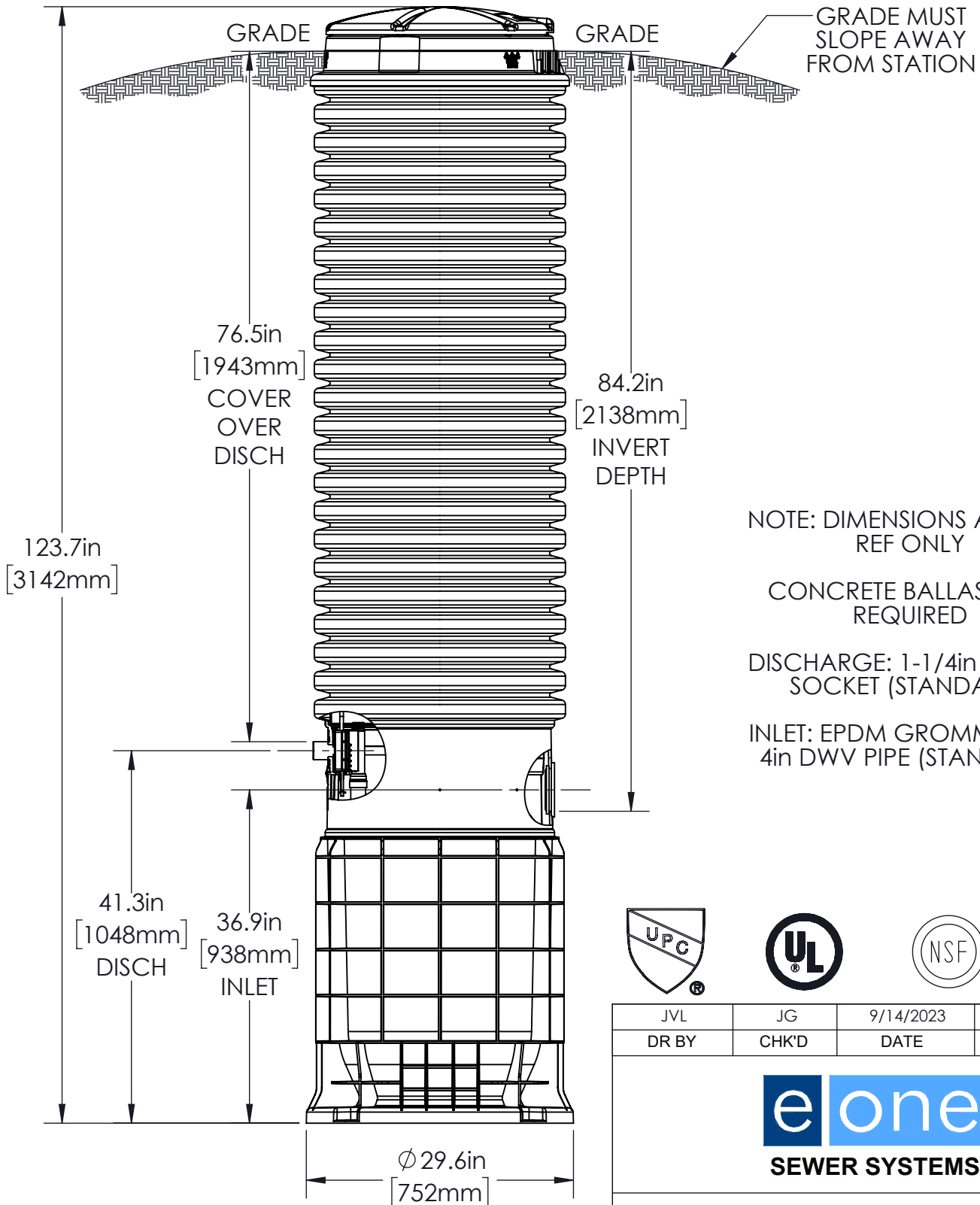
**SEWER SYSTEMS**

**MODEL WH101-92**

**CUT SHEET**

**NA0057P05**

# WH101-124



NOTE: DIMENSIONS ARE FOR REF ONLY

CONCRETE BALLAST NOT REQUIRED

DISCHARGE: 1-1/4in FEMALE SOCKET (STANDARD)

INLET: EPDM GROMMET FOR 4in DWV PIPE (STANDARD)



JVL	JG	9/14/2023	F	1:16
DR BY	CHK'D	DATE	ISSUE	SCALE

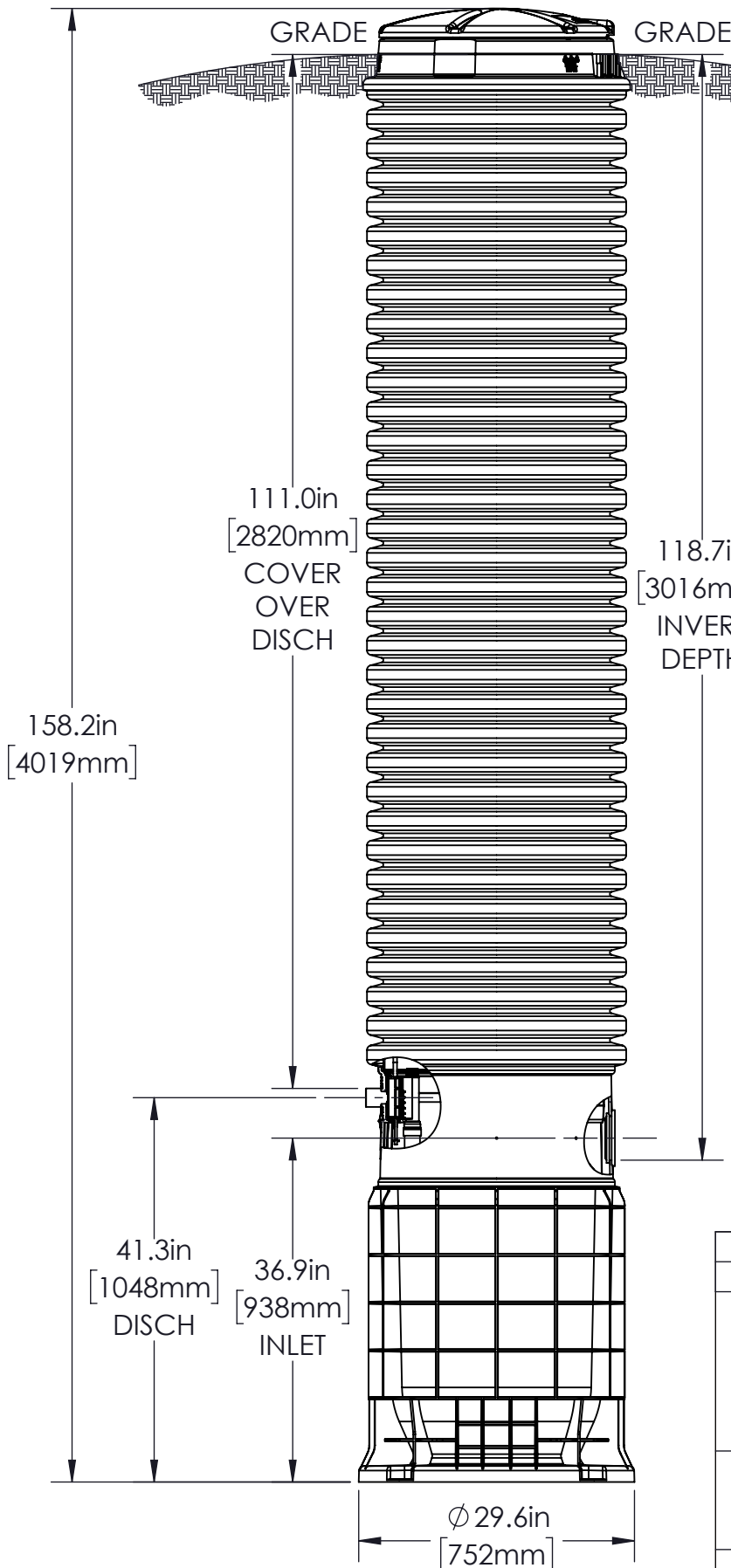


**SEWER SYSTEMS**

**MODEL WH101-124  
CUT SHEET**

**NA0057P06**

# WH101-159



GRADE MUST SLOPE AWAY FROM STATION

NOTE: DIMENSIONS ARE FOR REF ONLY

CONCRETE BALLAST NOT REQUIRED

DISCHARGE: 1-1/4in FEMALE SOCKET (STANDARD)

INLET: EPDM GROMMET FOR 4in DWV PIPE (STANDARD)



JVL	JG	9/14/2023	F	1:18
DR BY	CHK'D	DATE	ISSUE	SCALE



**SEWER SYSTEMS**

**MODEL WH101-159  
CUT SHEET**

**NA0057P07**