

DH272

General Features

The model DH272 grinder pump station is a complete unit that includes: two grinder pumps, check valve, FRP (fiberglass reinforced polyester) tank, controls, and alarm panel. A single DH272 is ideal for up to six, average single-family homes and can also be used for up to 20 average single-family homes where codes allow and with consent of the factory.

- Rated for flows of 5000 gpd (18,927 lpd)
- 275 gallons (1041 liters) of capacity
- For outdoor installation
- Standard outdoor heights range from 97 inches to 160 inches

The DH272 has a cable that connects the motor controls to the level controls through watertight penetrations.

Operational Information

Motor

1 hp, 1,725 rpm, high torque, capacitor start, thermally protected, 120/240V, 60 Hz, 1 phase

Inlet Connections

4-inch inlet grommet standard for DWV pipe. Other inlet configurations available from the factory.

Discharge Connections

Pump discharge terminates in 1.25-inch NPT female thread. Can easily be adapted to 1.25-inch PVC pipe or any other material required by local codes.

Discharge

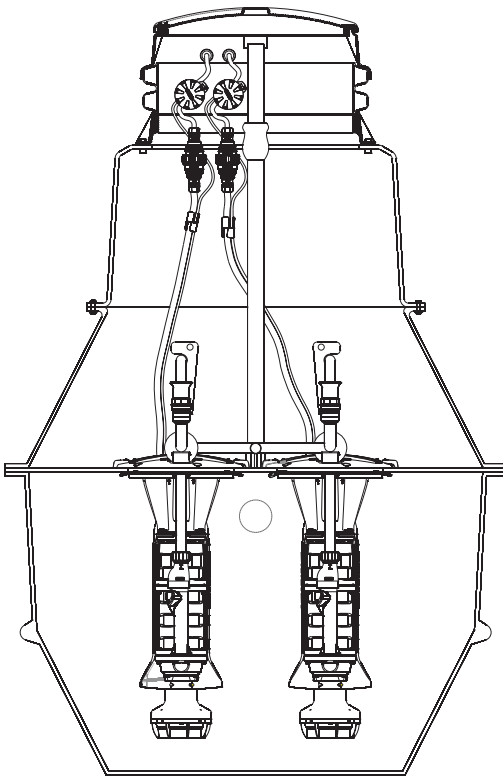
15 gpm at 0 psig (0.95 lps at 0 m)
11 gpm at 40 psig (0.69 lps at 28 m)
7.8 gpm at 80 psig (0.49 lps at 56 m)

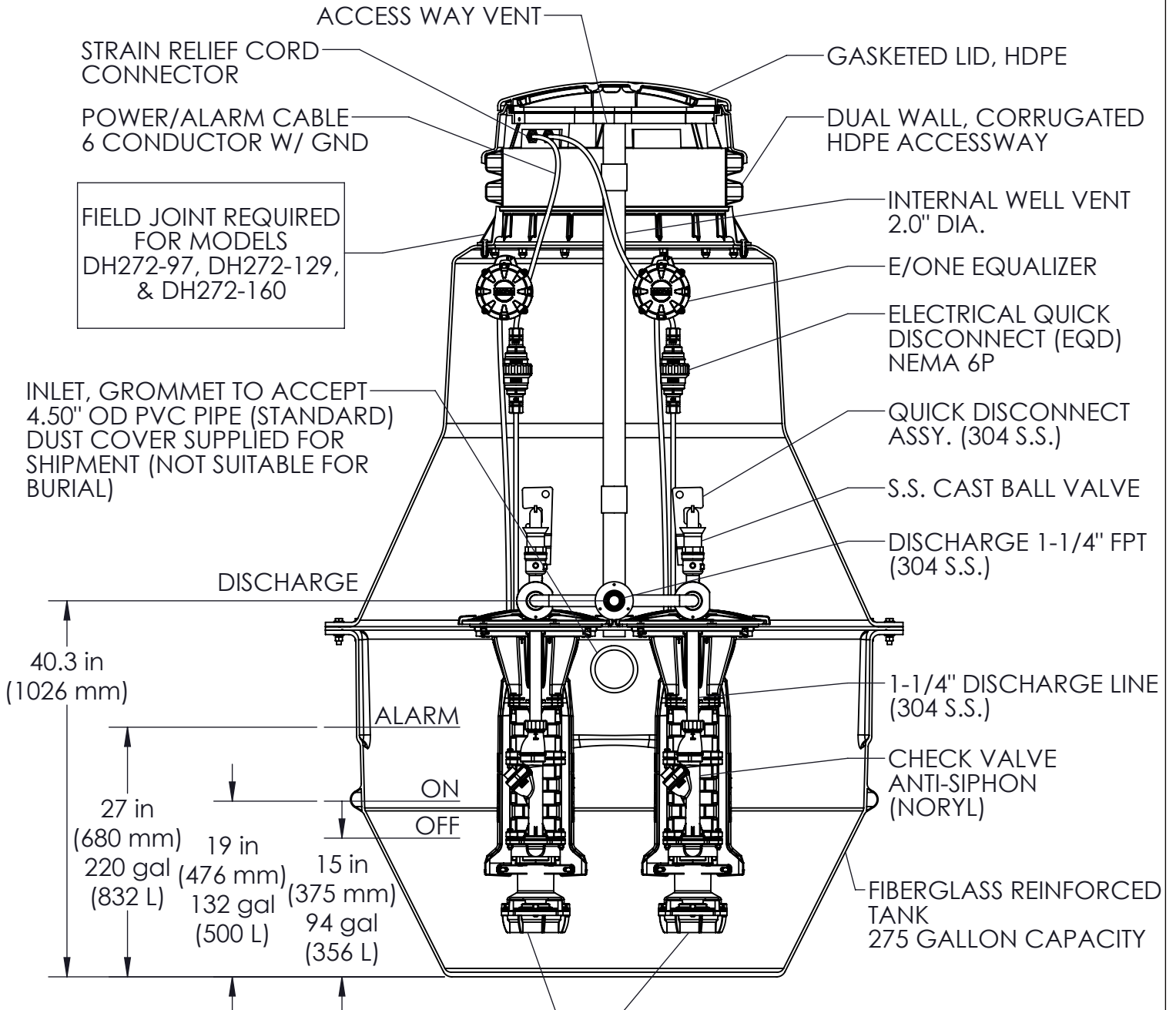
Accessories

E/One requires that the Uni-Lateral, E/One's own stainless steel check valve, be installed between the grinder pump station and the street main for added protection against backflow.

Alarm panels are available with a variety of options, from basic monitoring to advanced notice of service requirements.

The Remote Sentry is ideal for installations where the alarm panel may be hidden from view.





SEMI-POSITIVE DISPLACEMENT TYPE PUMP EACH DIRECTLY DRIVEN BY A 1 HP MOTOR

CONCRETE BALLAST MAY BE REQUIRED SEE INSTALLATION INSTRUCTIONS FOR DETAILS

NOTE: DIMENSIONS ARE FOR REFERENCE ONLY



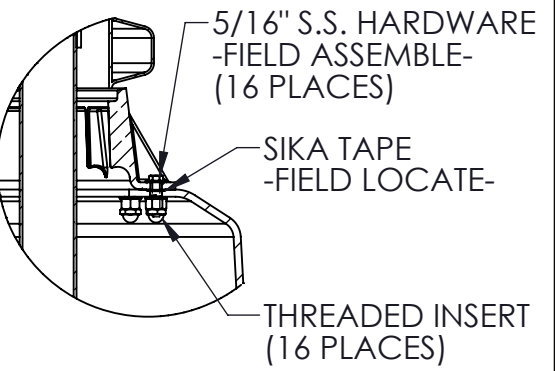
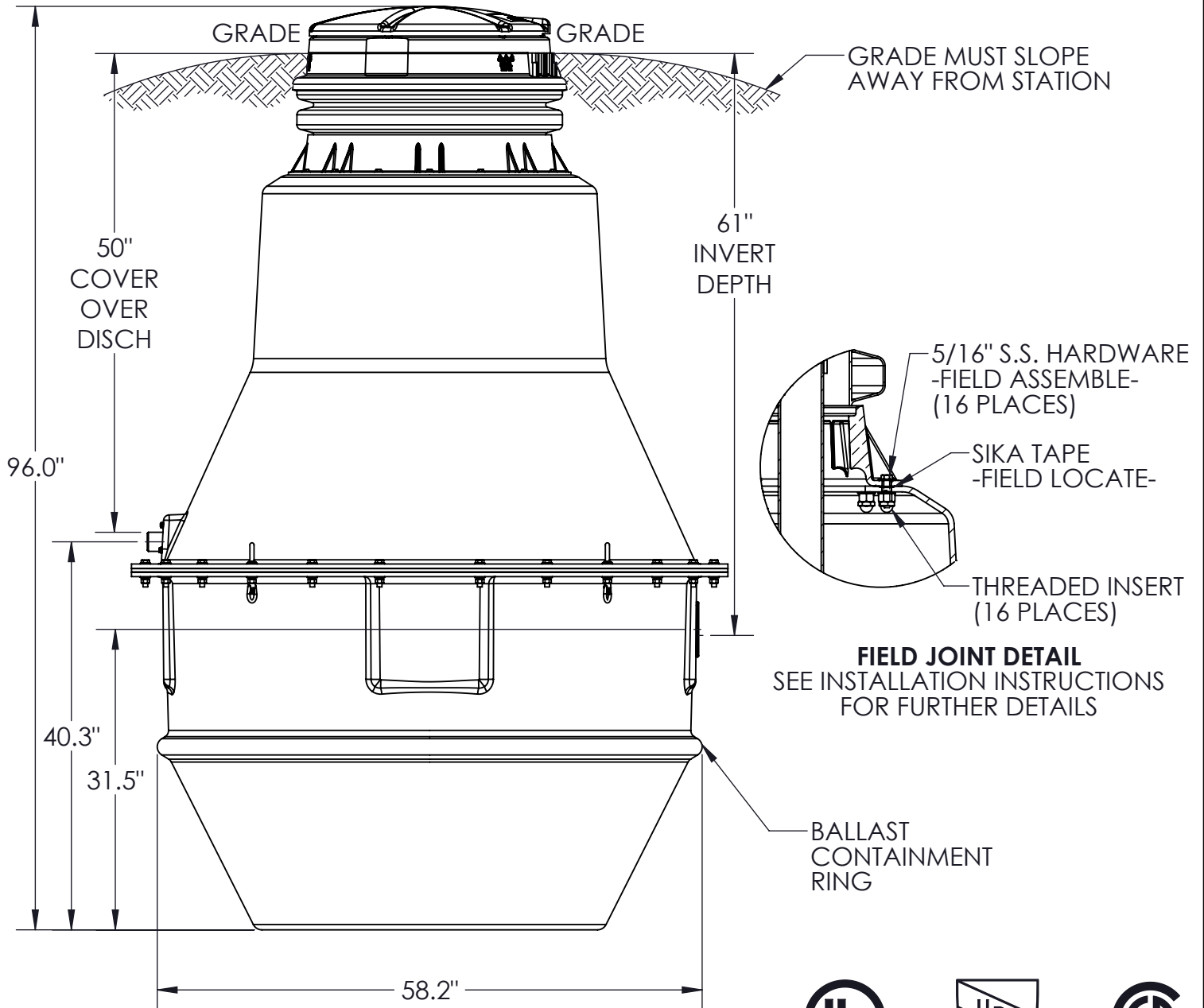
JVL	JG	7/8/2024	F	1:16
DR BY	CHK'D	DATE	ISSUE	SCALE



MODEL DH272
DETAIL SHEET

NA0053P02

DH272-97



FIELD JOINT DETAIL
SEE INSTALLATION INSTRUCTIONS FOR FURTHER DETAILS



JVL	JG	7/8/2024	D	1:16
DR BY	CHK'D	DATE	ISSUE	SCALE



MODEL DH272-97

NA0053P04

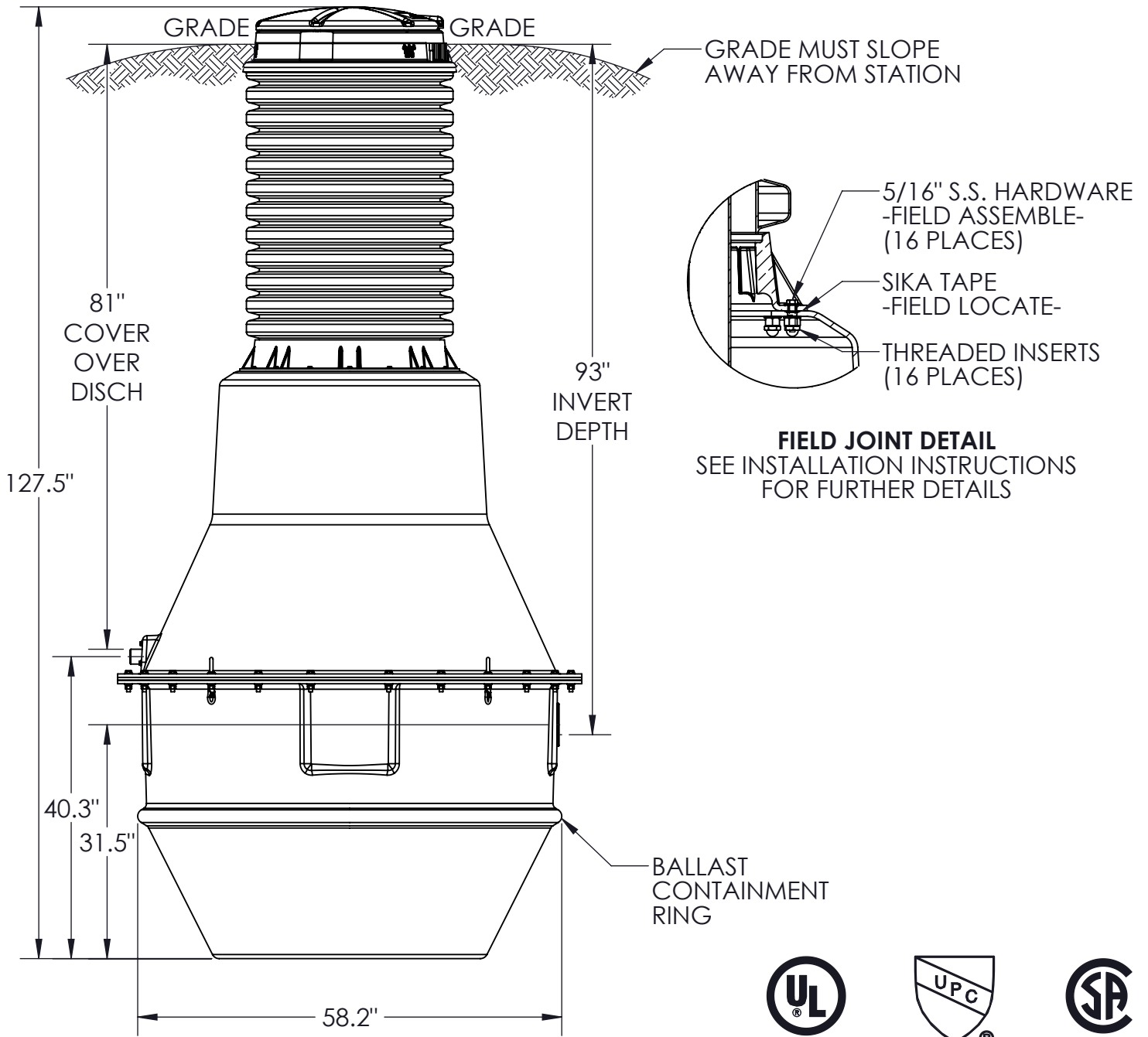
CONCRETE BALLAST MAY BE REQUIRED
SEE INSTALLATION INSTRUCTIONS FOR DETAILS

NOTE: DIMENSIONS ARE FOR REFERENCE ONLY

DISCHARGE: 1-1/4" FEMALE PIPE THREAD

INLET: EPDM GROMMET FOR 4" DWV PIPE
(STANDARD)

DH272-129



JVL	JG	7/9/2024	D	1:20
DR BY	CHK'D	DATE	ISSUE	SCALE

CONCRETE BALLAST MAY BE REQUIRED
SEE INSTALLATION INSTRUCTIONS FOR DETAILS

NOTE: DIMENSIONS ARE FOR REFERENCE ONLY

DISCHARGE: 1-1/4" FEMALE PIPE THREAD

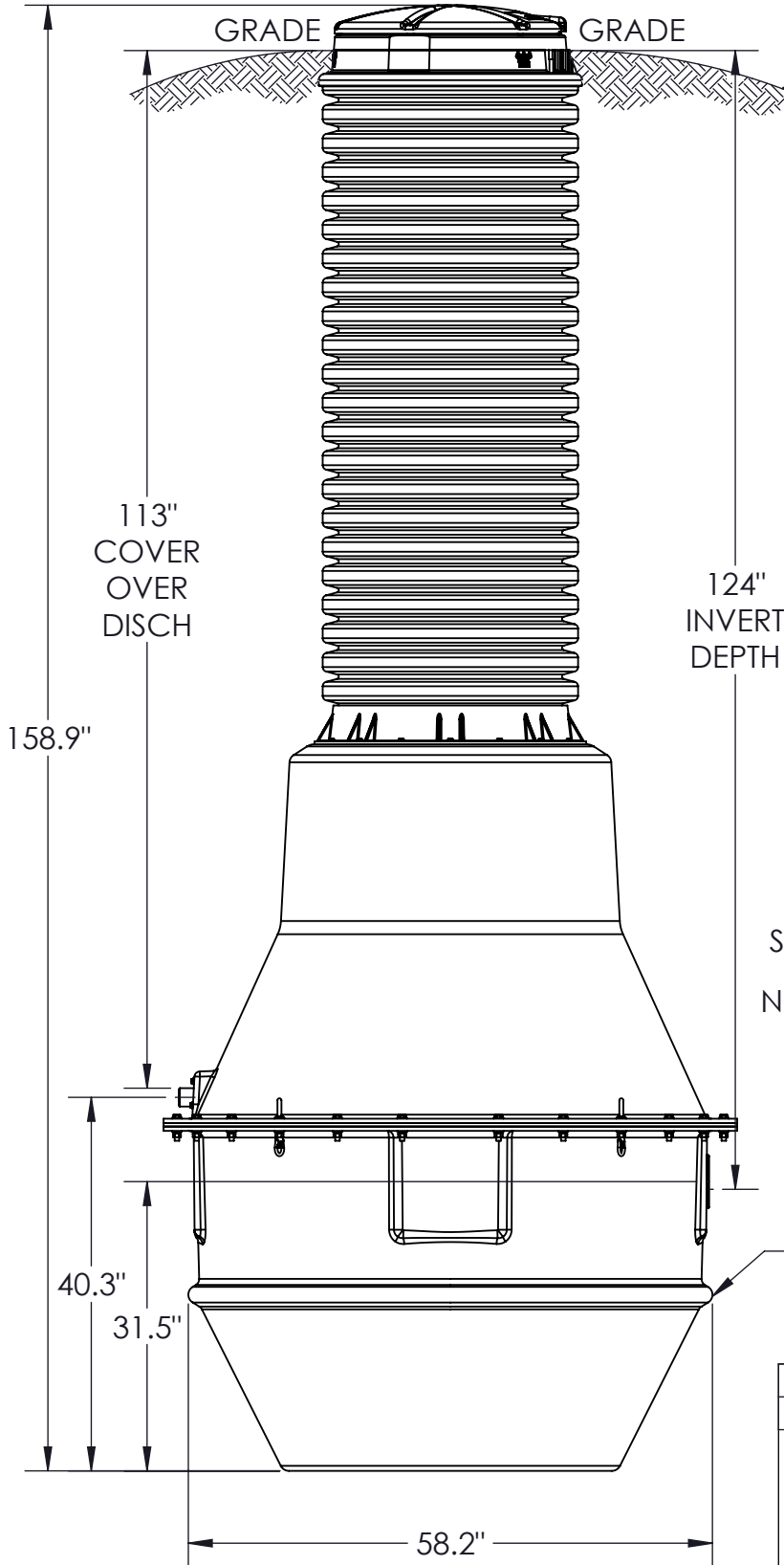
INLET: EPDM GROMMET FOR 4" DWV PIPE
(STANDARD)



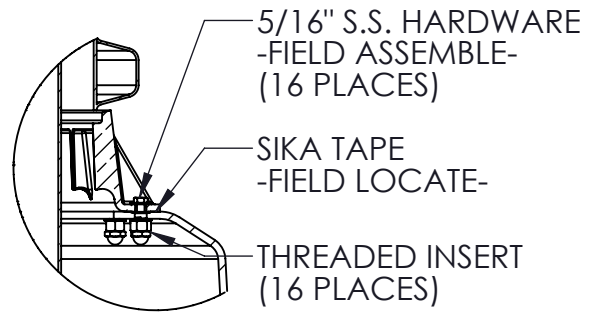
MODEL DH272-129

NA0053P05

DH272-160



GRADE MUST SLOPE AWAY FROM STATION



FIELD JOINT DETAIL
SEE INSTALLATION INSTRUCTIONS FOR FURTHER DETAILS

CONCRETE BALLAST MAY BE REQUIRED
SEE INSTALLATION INSTRUCTIONS FOR DETAILS

NOTE: DIMENSIONS ARE FOR REFERENCE ONLY

DISCHARGE: 1-1/4" FEMALE PIPE THREAD

INLET: EPDM GROMMET FOR 4" DWV PIPE (STANDARD)

BALLAST CONTAINMENT RING

JVL	JG	7/9/2024	D	1:20
DR BY	CHK'D	DATE	ISSUE	SCALE



MODEL DH272-160

NA0053P06

