

DH152

General Features

The model DH152 grinder pump station is a complete unit that includes: two grinder pumps, check valve, polyethylene tank, controls, and alarm panel. A single DH152 or is ideal for up to four, average single-family homes and can also be used for up to 12 average single-family homes where codes allow and with consent of the factory.

- Rated for flows of 3000 gpd (11,356 lpd)
- 150 gallons (568 liters) of capacity
- Indoor or outdoor installation
- Standard outdoor heights range from 93 inches to 160 inches

The DH152 has a cable that connects the motor controls to the level controls through watertight penetrations.

Operational Information

Motor

1 hp, 1,725 rpm, high torque, capacitor start, thermally protected, 120/240V, 60 Hz, 1 phase

Inlet Connections

4-inch inlet grommet standard for DWV pipe. Other inlet configurations available from the factory.

Discharge Connections

Pump discharge terminates in 1.25-inch NPT female thread. Can easily be adapted to 1.25-inch PVC pipe or any other material required by local codes.

Discharge

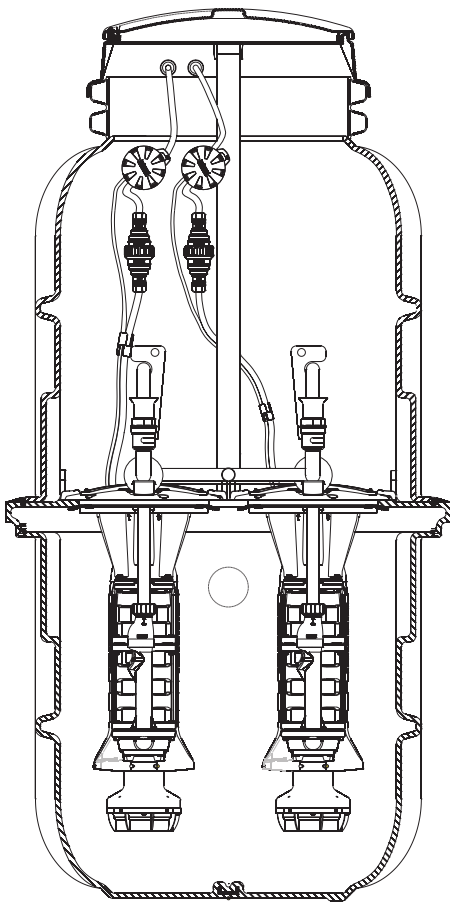
15 gpm at 0 psig (0.95 lps at 0 m)
11 gpm at 40 psig (0.69 lps at 28 m)
7.8 gpm at 80 psig (0.49 lps at 56 m)

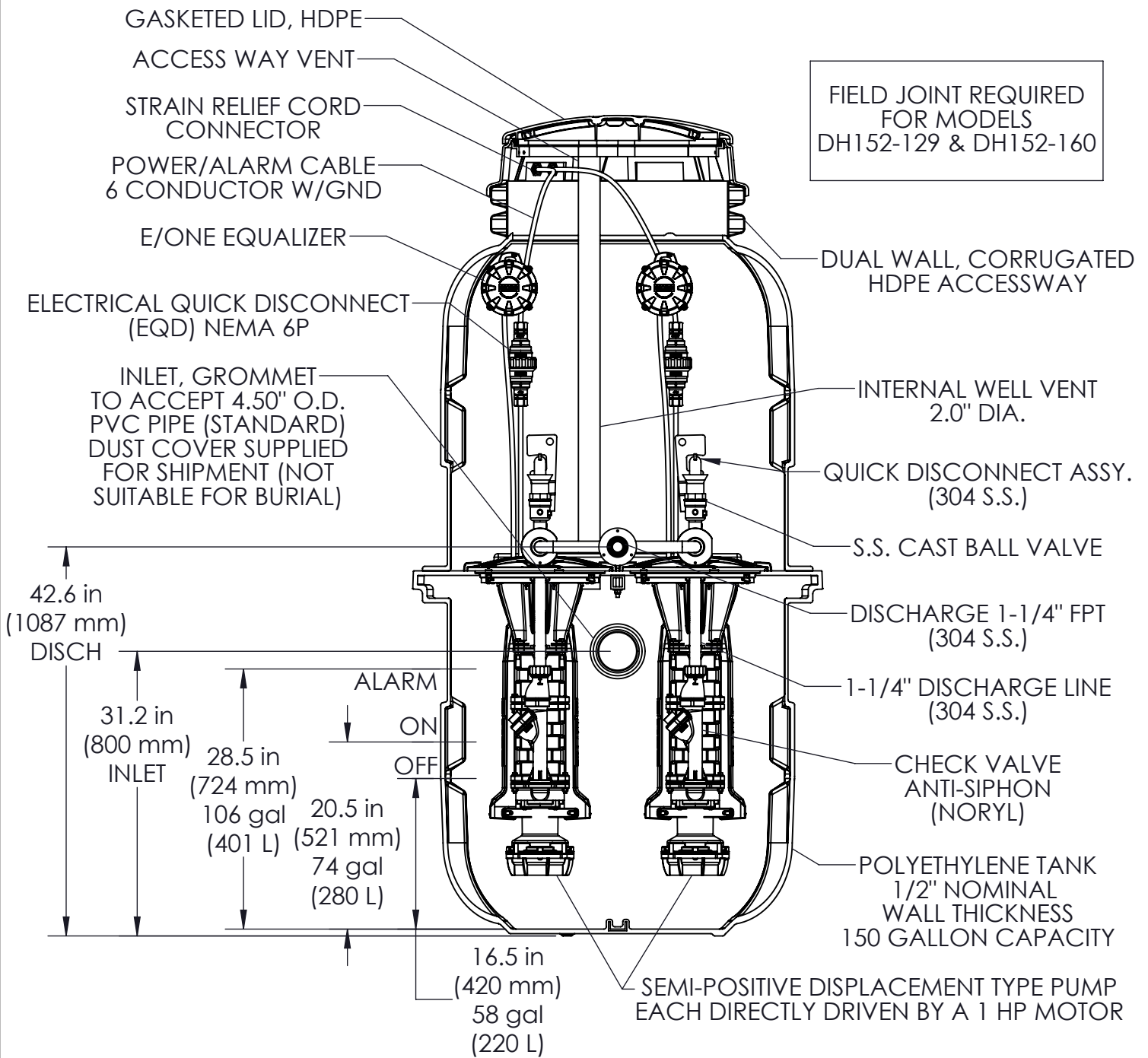
Accessories

E/One requires that the Uni-Lateral, E/One's own stainless steel check valve, be installed between the grinder pump station and the street main for added protection against backflow.

Alarm panels are available with a variety of options, from basic monitoring to advanced notice of service requirements.

The Remote Sentry is ideal for installations where the alarm panel may be hidden from view.





CONCRETE BALLAST MAY BE REQUIRED
 SEE INSTALLATION INSTRUCTIONS FOR DETAILS

NOTE: DIMENSIONS ARE FOR REFERENCE ONLY



JVL	JG	6/26/2024	G	1:16
DR BY	CHK'D	DATE	ISSUE	SCALE



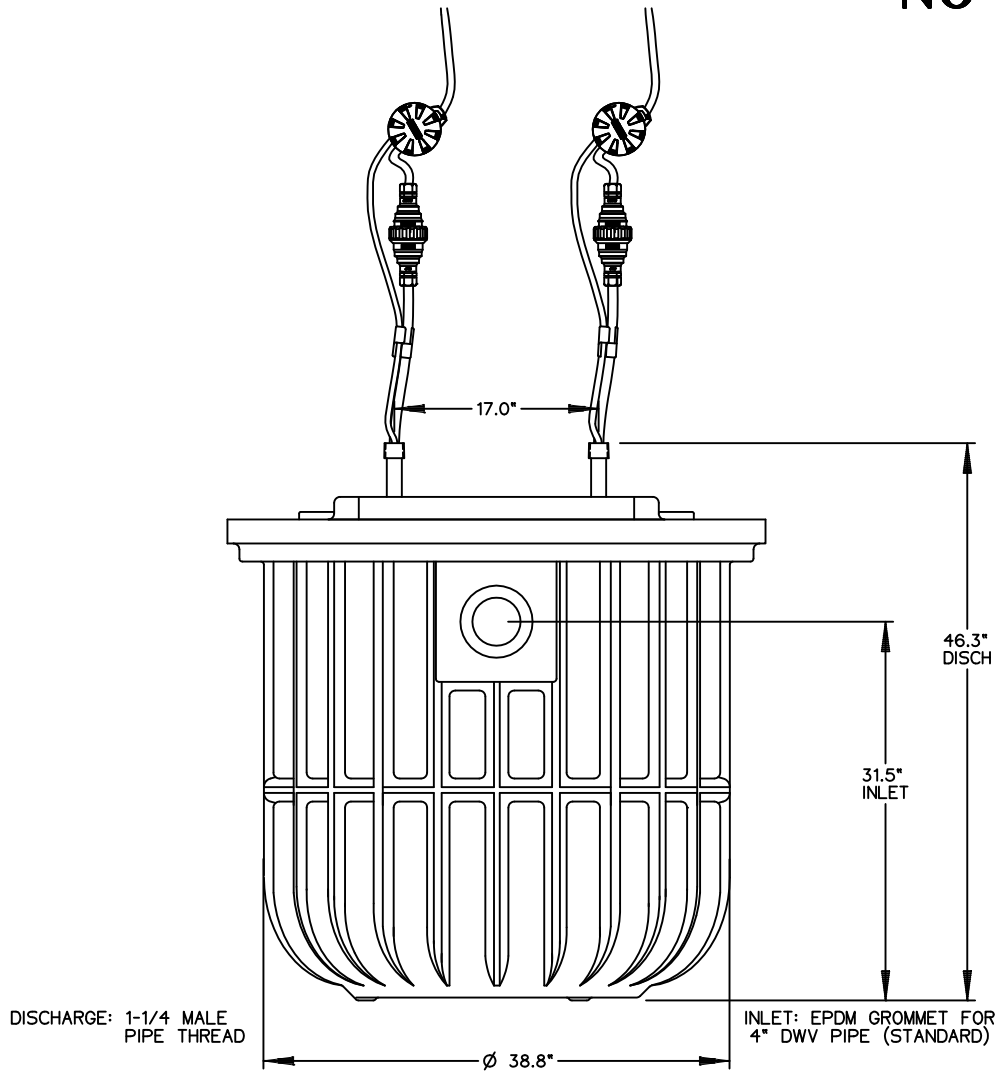
SEWER SYSTEMS

**MODEL DH152
 DETAIL SHEET**

NA0052P02

DH152 -38

NO BAFFLE



NOTE: DIMENSIONS ARE FOR REF ONLY



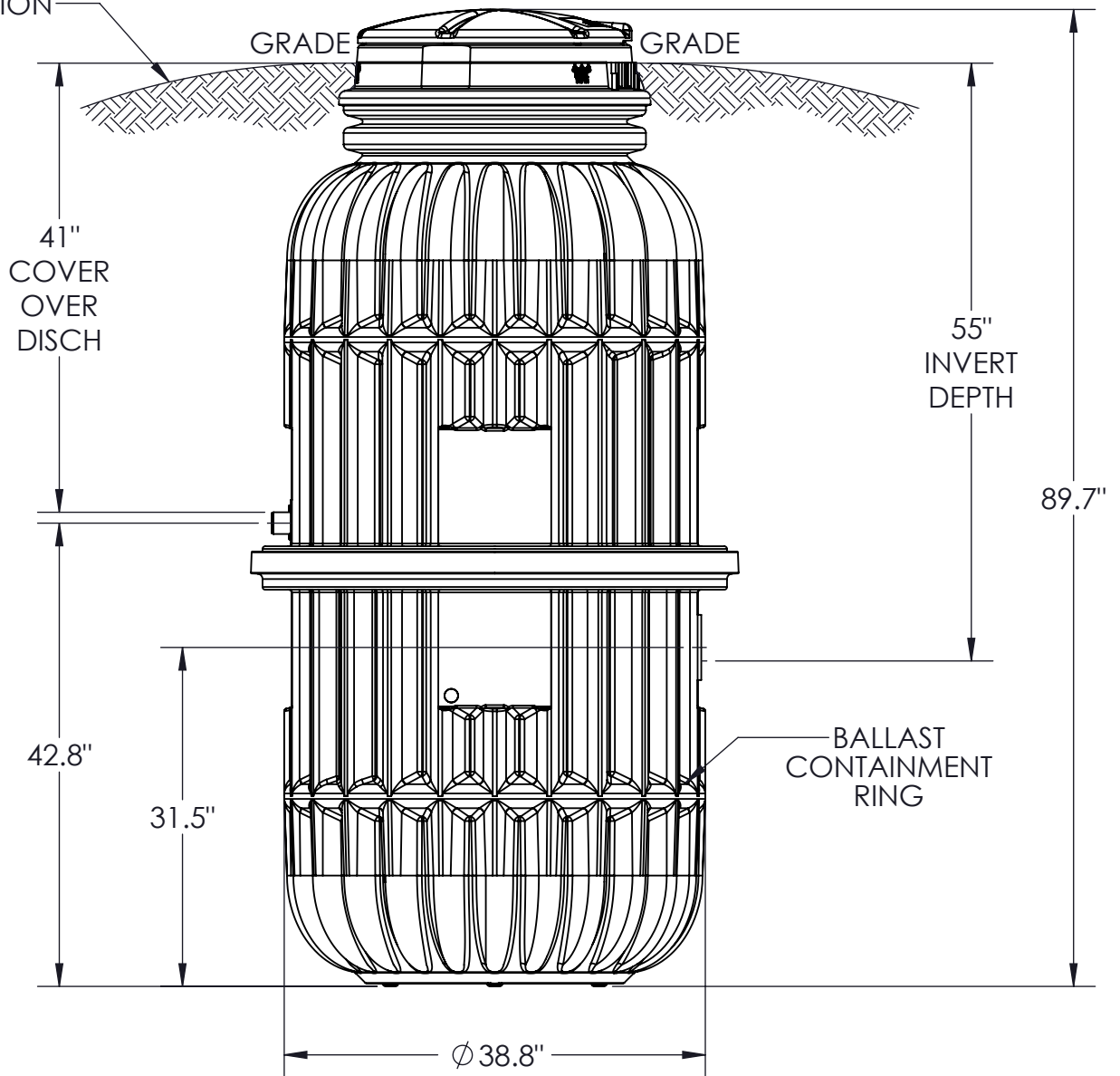
CTT	CH	10/19/12	D	
DR BY	CHK'D	DATE	ISSUE	SCALE



MODEL DH152-38, NO BAFFLE

NA0052P03

GRADE MUST
SLOPE AWAY FROM
STATION



CONCRETE BALLAST MAY BE REQUIRED
SEE INSTALLATION INSTRUCTIONS FOR DETAILS

NOTE: DIMENSIONS ARE FOR REFERENCE ONLY

DISCHARGE: 1-1/4 in FEMALE PIPE THREAD

INLET: EPDM GROMMET FOR 4" DWV
PIPE (STANDARD)



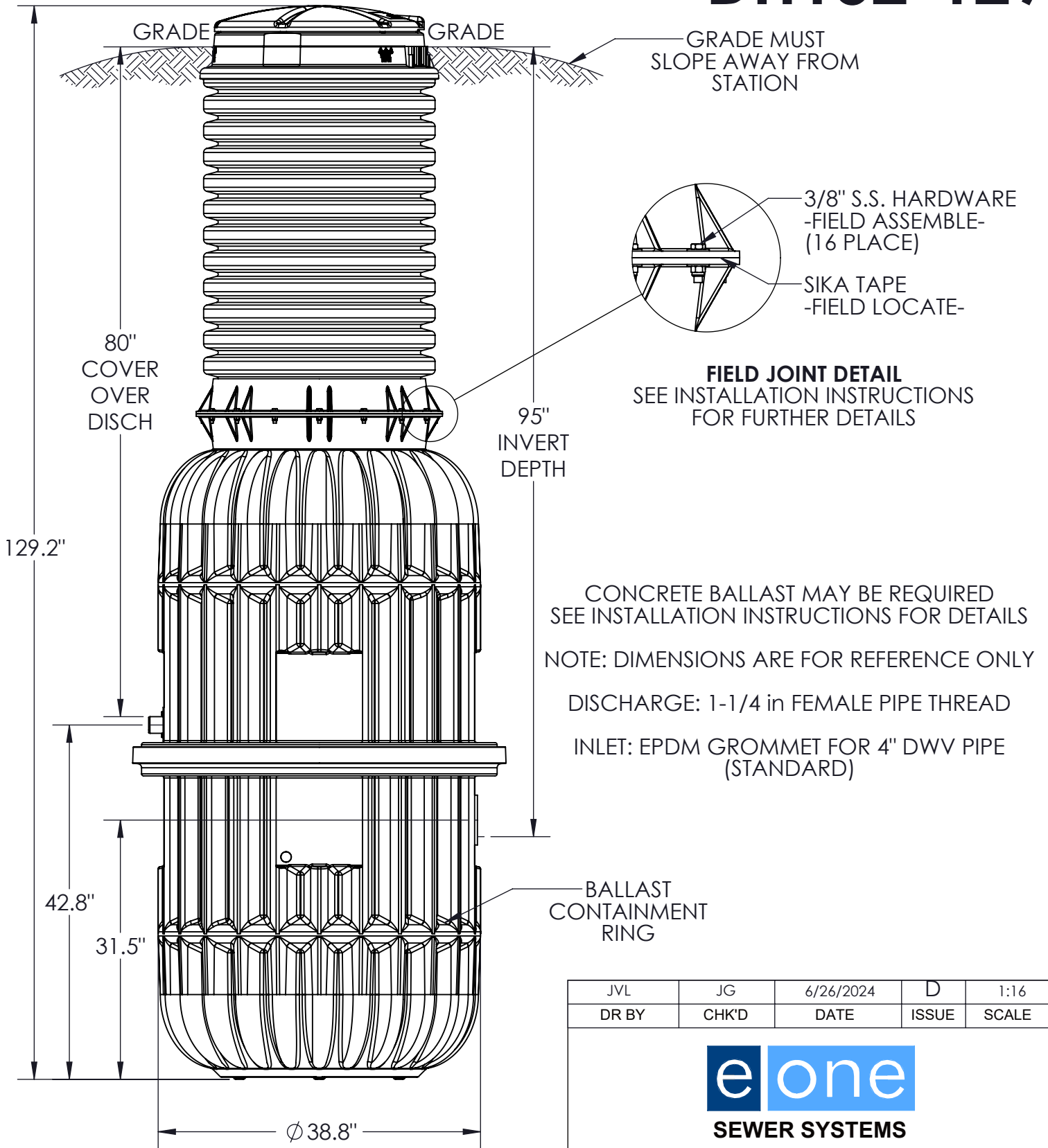
JVL	JG	6/26/2024	D	1:16
DR BY	CHK'D	DATE	ISSUE	SCALE



MODEL DH152-93

NA0052P04

DH152-129



JVL	JG	6/26/2024	D	1:16
DR BY	CHK'D	DATE	ISSUE	SCALE

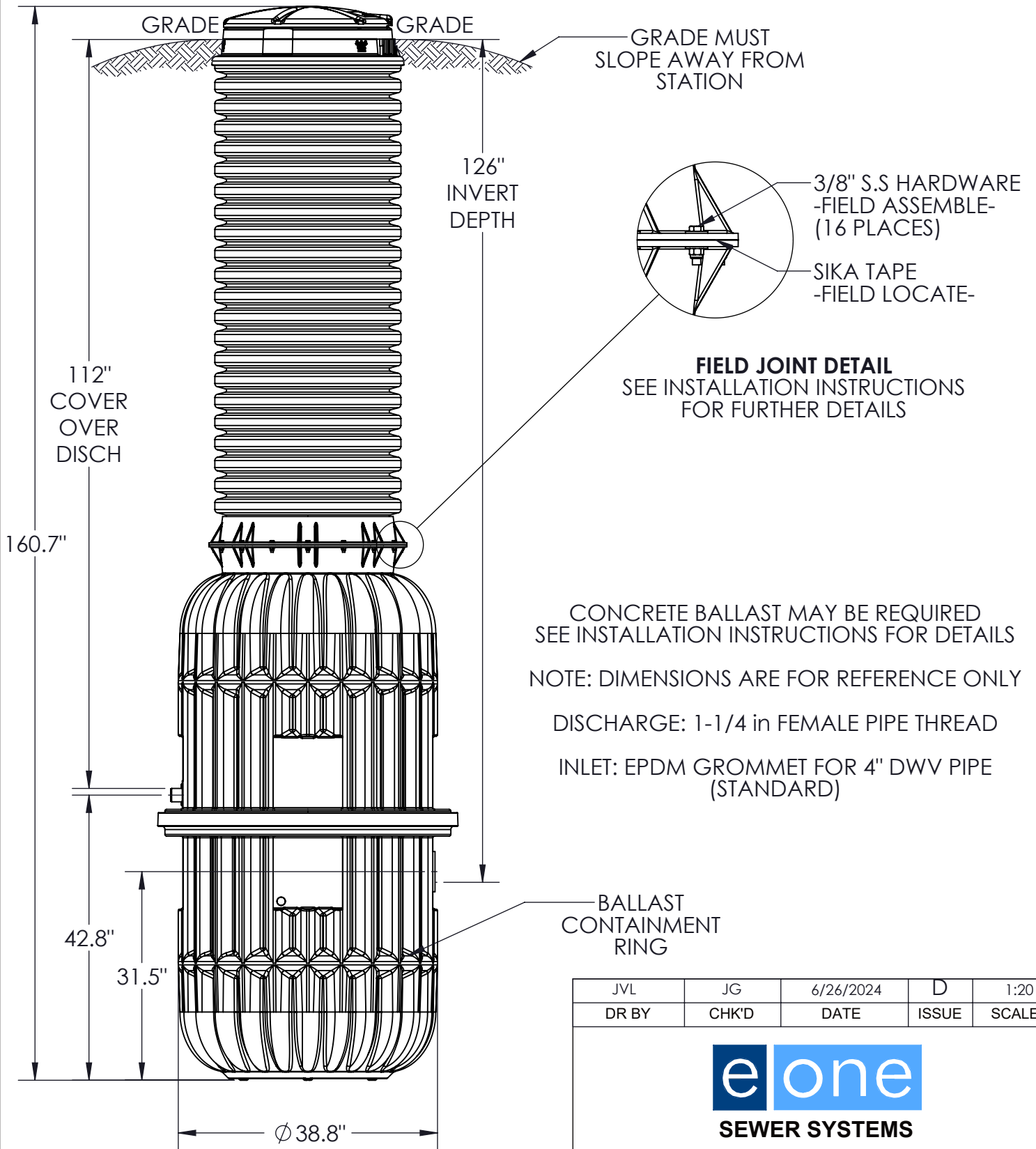


MODEL DH152-129

NA0052P05



DH152-160



JVL	JG	6/26/2024	D	1:20
DR BY	CHK'D	DATE	ISSUE	SCALE



MODEL DH152-160

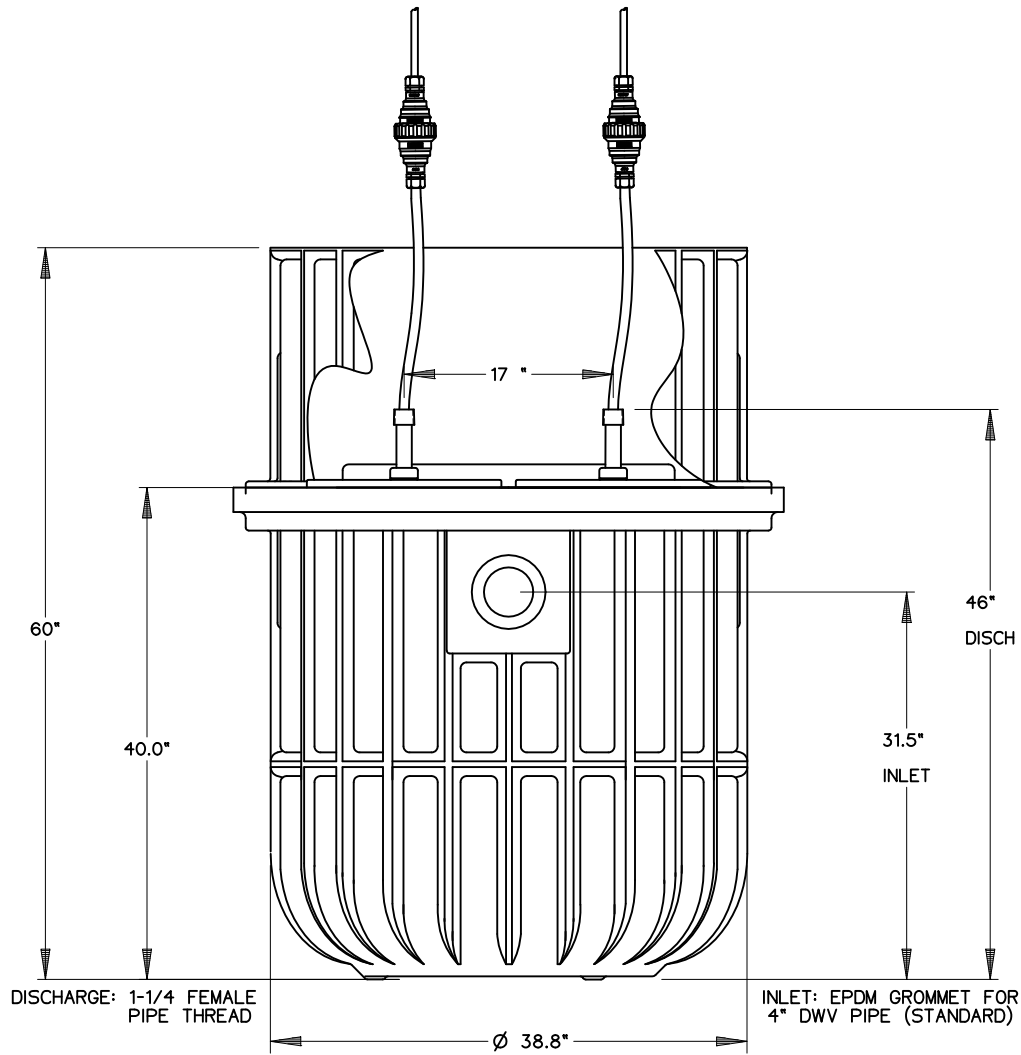
NA0052P06



DH152-57

BUILDERS MODEL

STRAIGHT DISCHARGE



NOTE: DIMENSIONS ARE FOR REF ONLY

AD	CAH	06-27-07	C	1/16
DR BY	CHK'D	DATE	ISSUE	SCALE



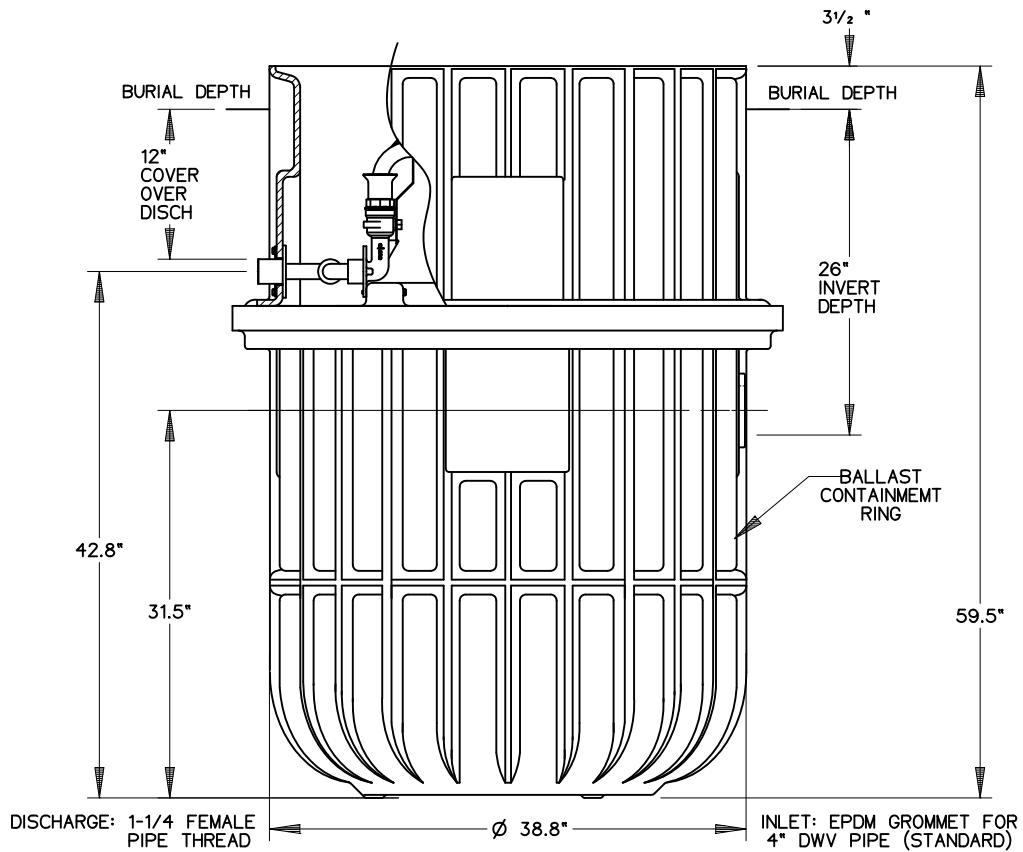
MODEL DH152-57
BUILDERS

NA0052P07

DH152-57

BUILDERS MODEL

DISCHARGE VALVE



NOTE: DIMENSIONS ARE FOR REF ONLY

AD	CAH	06/27/07	C	1/16
DR BY	CHK'D	DATE	ISSUE	SCALE



MODEL DH152-57
BUILDERS

NA0052P08