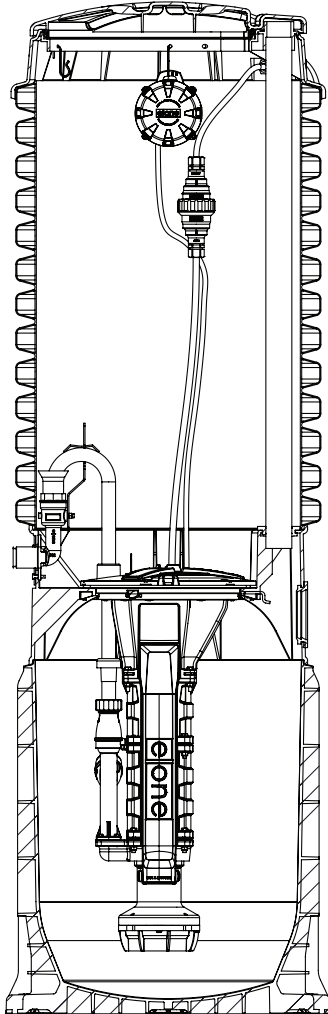


## DH071



### General Features

The model DH071 grinder pump station is a complete unit that includes: the grinder pump, check valve, HDPE (high density polyethylene) tank, controls, and alarm panel. A single DH071 is a popular choice for one, average single-family home and can also be used for up to two average single-family homes where codes allow and with consent of the factory.

- Rated for flows of 700 gpd (2650 lpd)
- 70 gallons (265 liters) of capacity
- Indoor or outdoor installation
- Standard outdoor heights range from 61 inches to 160 inches

The DH071 has a cable that connects the motor controls to the level controls through watertight penetrations.

### Operational Information

#### *Motor*

1 hp, 1,725 rpm, high torque, capacitor start, thermally protected, 120/240V, 60 Hz, 1 phase

#### *Inlet Connections*

4-inch inlet grommet standard for DWV pipe. Other inlet configurations available from the factory.

#### *Discharge Connections*

Pump discharge terminates in 1.25-inch NPT female thread. Can easily be adapted to 1.25-inch PVC pipe or any other material required by local codes.

#### *Discharge*

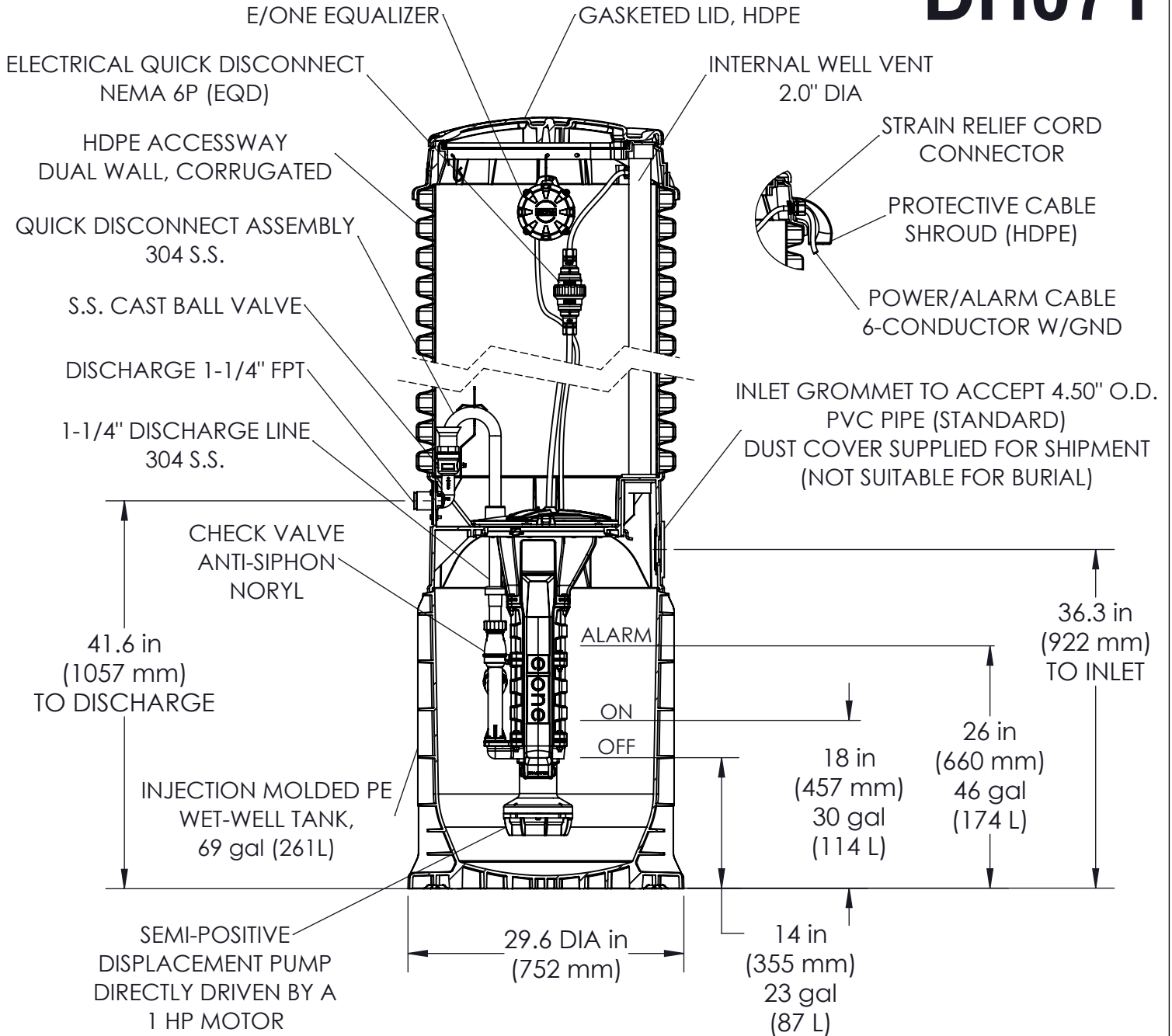
15 gpm at 0 psig (0.95 lps at 0 m)  
11 gpm at 40 psig (0.69 lps at 28 m)  
7.8 gpm at 80 psig (0.49 lps at 56 m)

### Accessories

E/One requires that the Uni-Lateral, E/One's own stainless steel check valve, be installed between the grinder pump station and the street main for added protection against backflow.

Alarm panels are available with a variety of options, from basic monitoring to advanced notice of service requirements.

The Remote Sentry is ideal for installations where the alarm panel may be hidden from view.



CONCRETE BALLAST NOT REQUIRED

NOTE: DIMENSIONS ARE FOR REF ONLY

FIELD JOINT REQUIRED FOR MODELS  
DH071-129 / DH071-160



JVL	SGS	7/14/2023	F	1:16
DR BY	CHK'D	DATE	ISSUE	SCALE



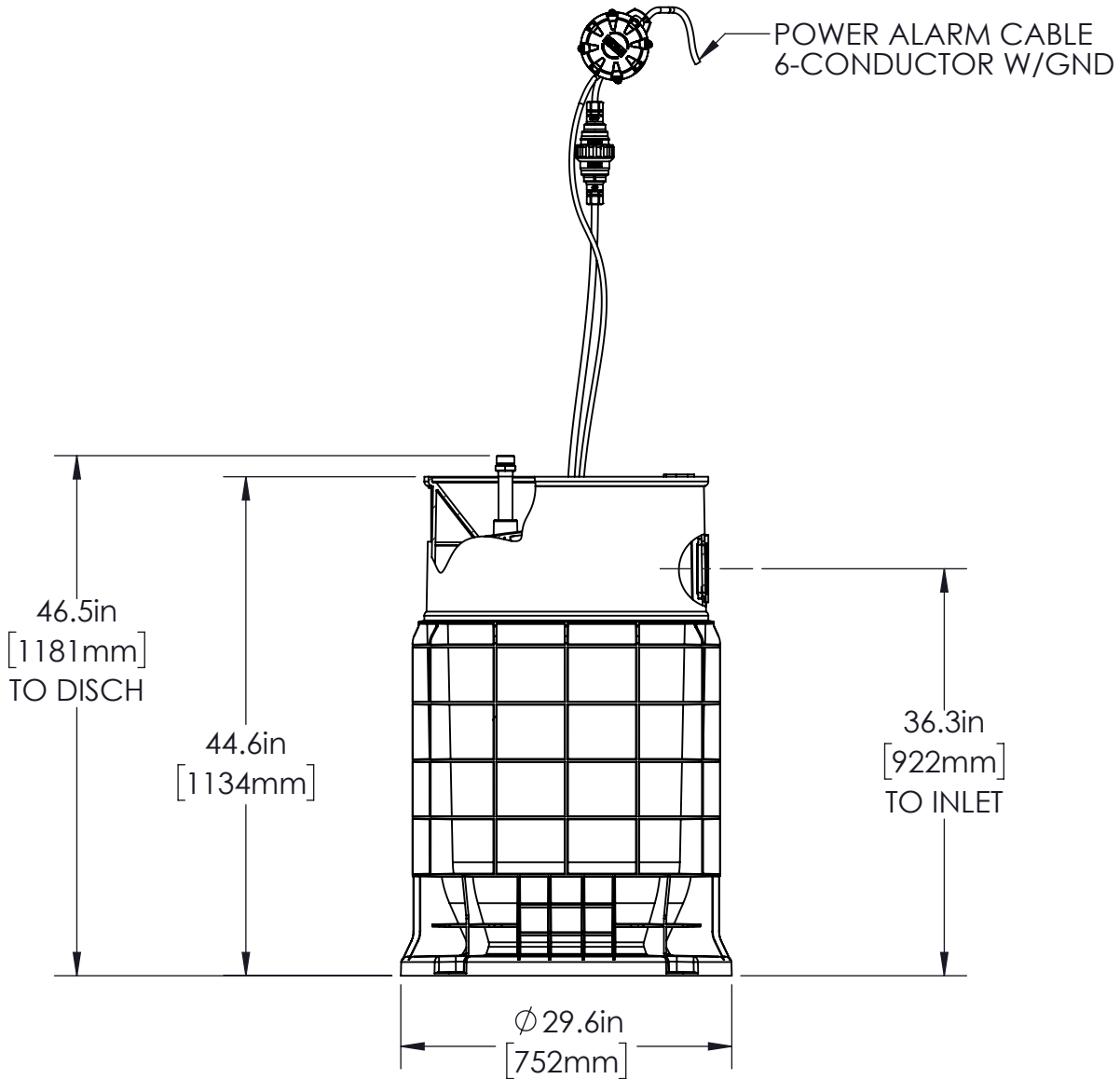
**SEWER SYSTEMS**

**MODEL DH071  
DETAIL SHEET**

**NA0050P02**

# DH071-44

## INDOOR UNIT



NOTE: DIMENSIONS ARE FOR REF. ONLY

DISCHARGE: 1-1/4in MALE PIPE THREAD

INLET: EPDM GROMMET FOR 4in DWV PIPE (STANDARD)

BK	JG	10/11/2023	C	1:16
DR BY	CHK'D	DATE	ISSUE	SCALE

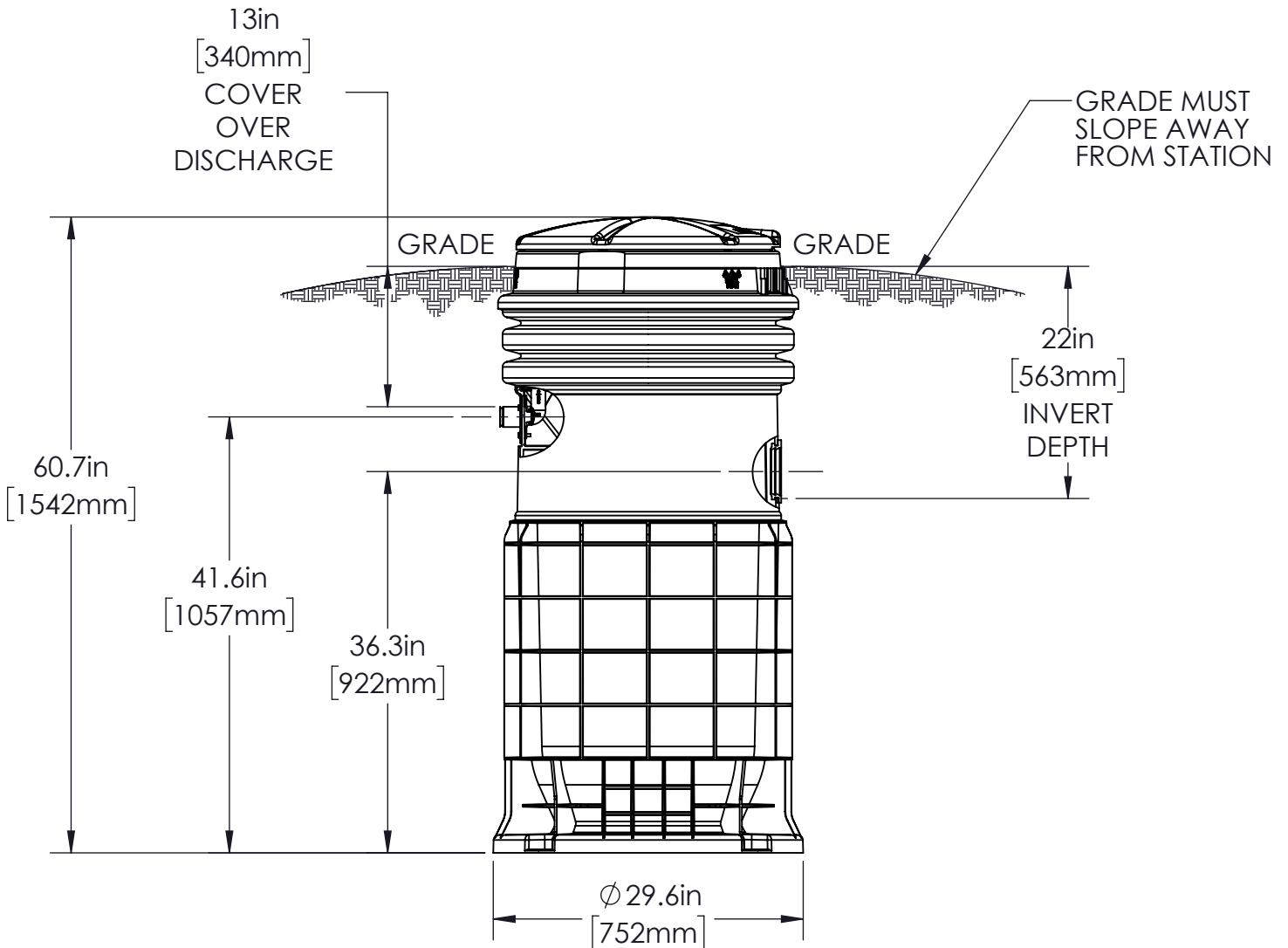


**SEWER SYSTEMS**

**MODEL DH071-44**  
CUT SHEET

**NA0050P03**

# DH071-61



NOTE: DIMENSIONS ARE FOR REF ONLY

CONCRETE BALLAST NOT REQUIRED

DISCHARGE: 1-1/4in FEMALE PIPE THREAD

INLET: EPDM GROMMET FOR 4in DWV  
PIPE (STANDARD)



BK	JG	10/13/2023	E	1:16
DR BY	CHK'D	DATE	ISSUE	SCALE

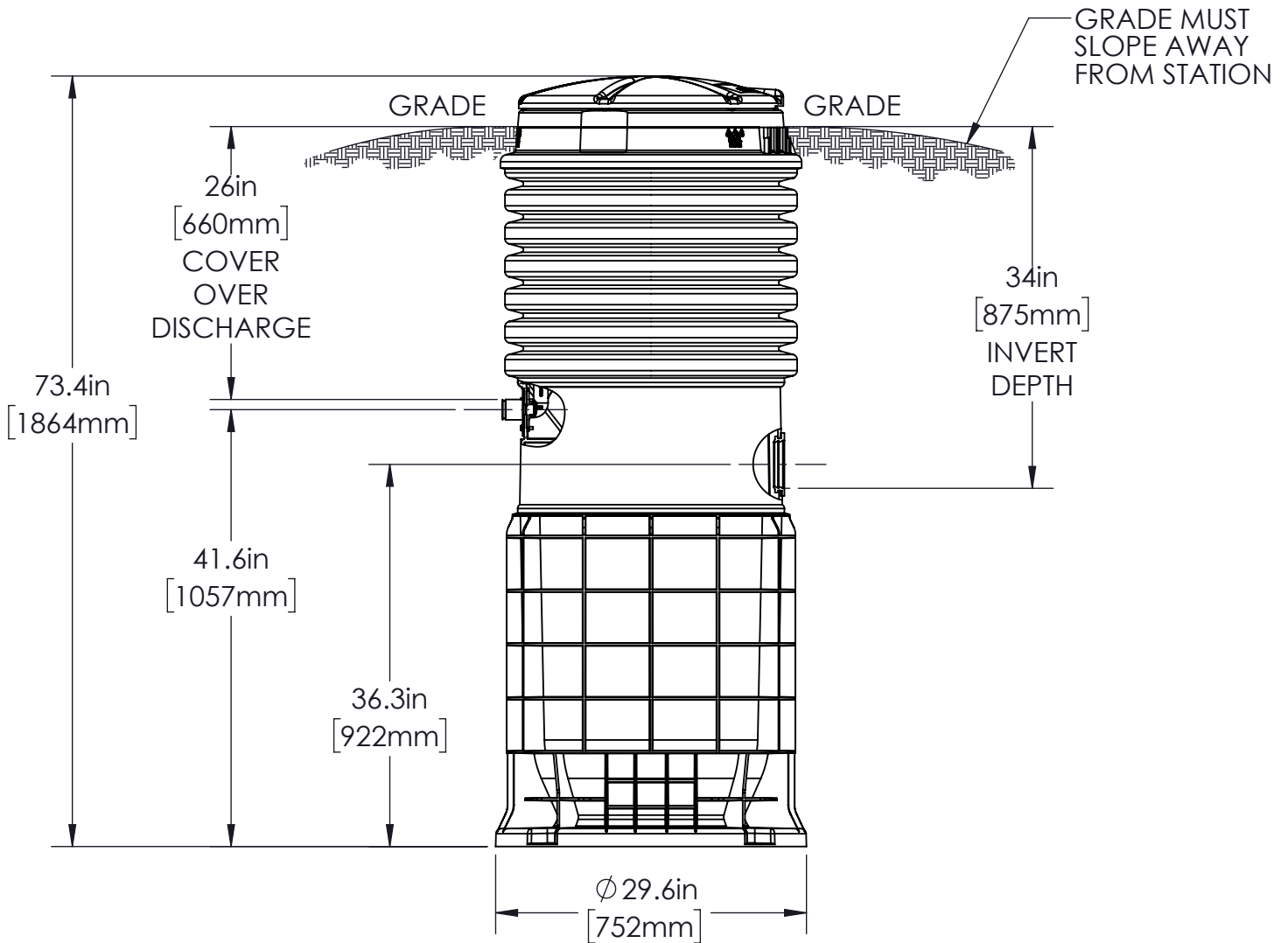


**SEWER SYSTEMS**

**MODEL DH071-61**  
CUT SHEET

**NA0050P04**

# DH071-74



NOTE: DIMENSIONS ARE FOR REF ONLY

CONCRETE BALLAST NOT REQUIRED

DISCHARGE: 1-1/4in FEMALE PIPE THREAD

INLET: EPDM GROMMET FOR 4in DWV PIPE (STANDARD)

BK	JG	10/13/2023	D	1:16
DR BY	CHK'D	DATE	ISSUE	SCALE



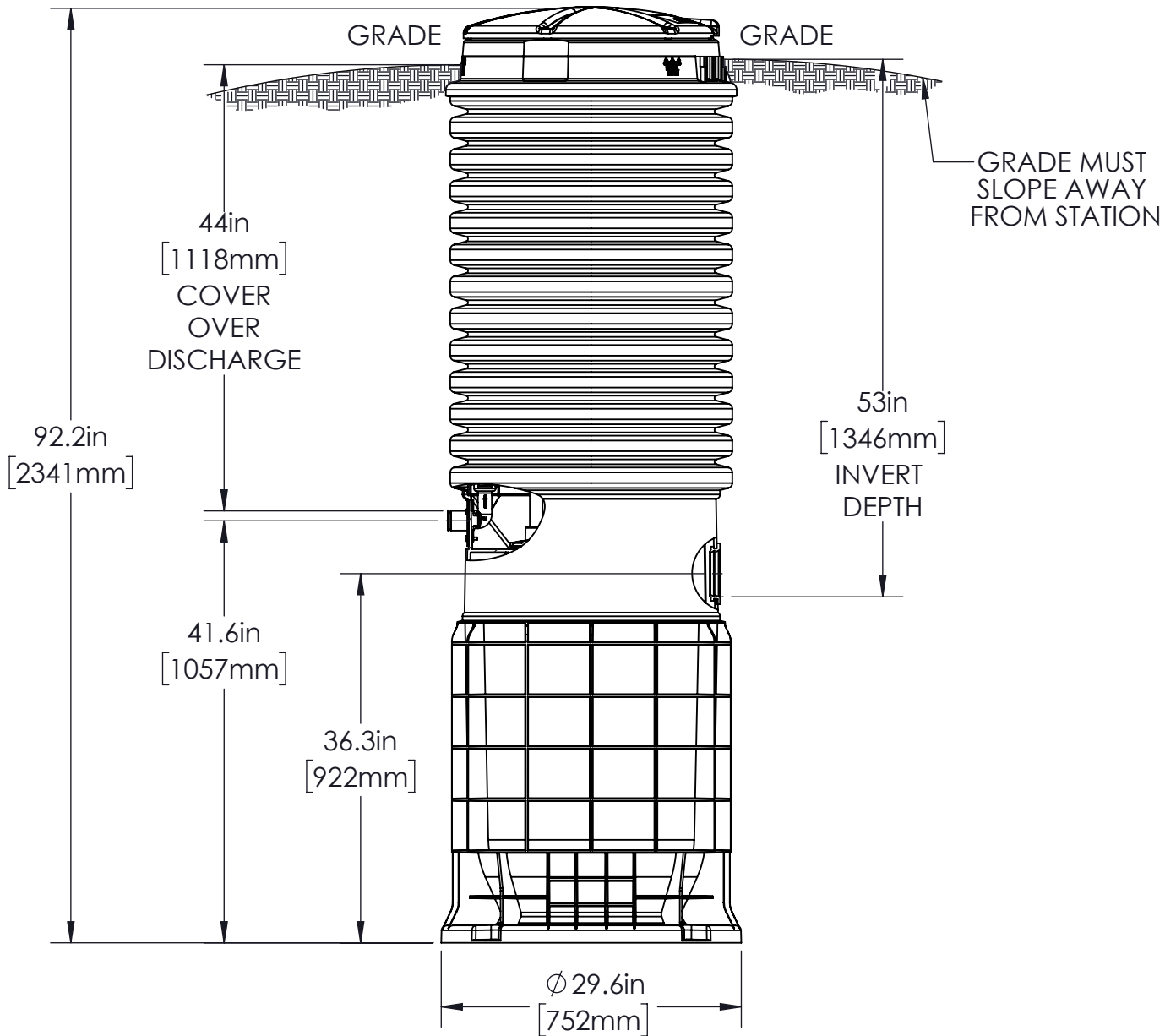
**SEWER SYSTEMS**

**MODEL DH071-74**

CUT SHEET

**NA0050P05**

# DH071-93



NOTE: DIMENSIONS ARE FOR REF ONLY

CONCRETE BALLAST NOT REQUIRED

DISCHARGE: 1-1/4in FEMALE PIPE THREAD

INLET: EPDM GROMMET FOR 4in DWV PIPE (STANDARD)



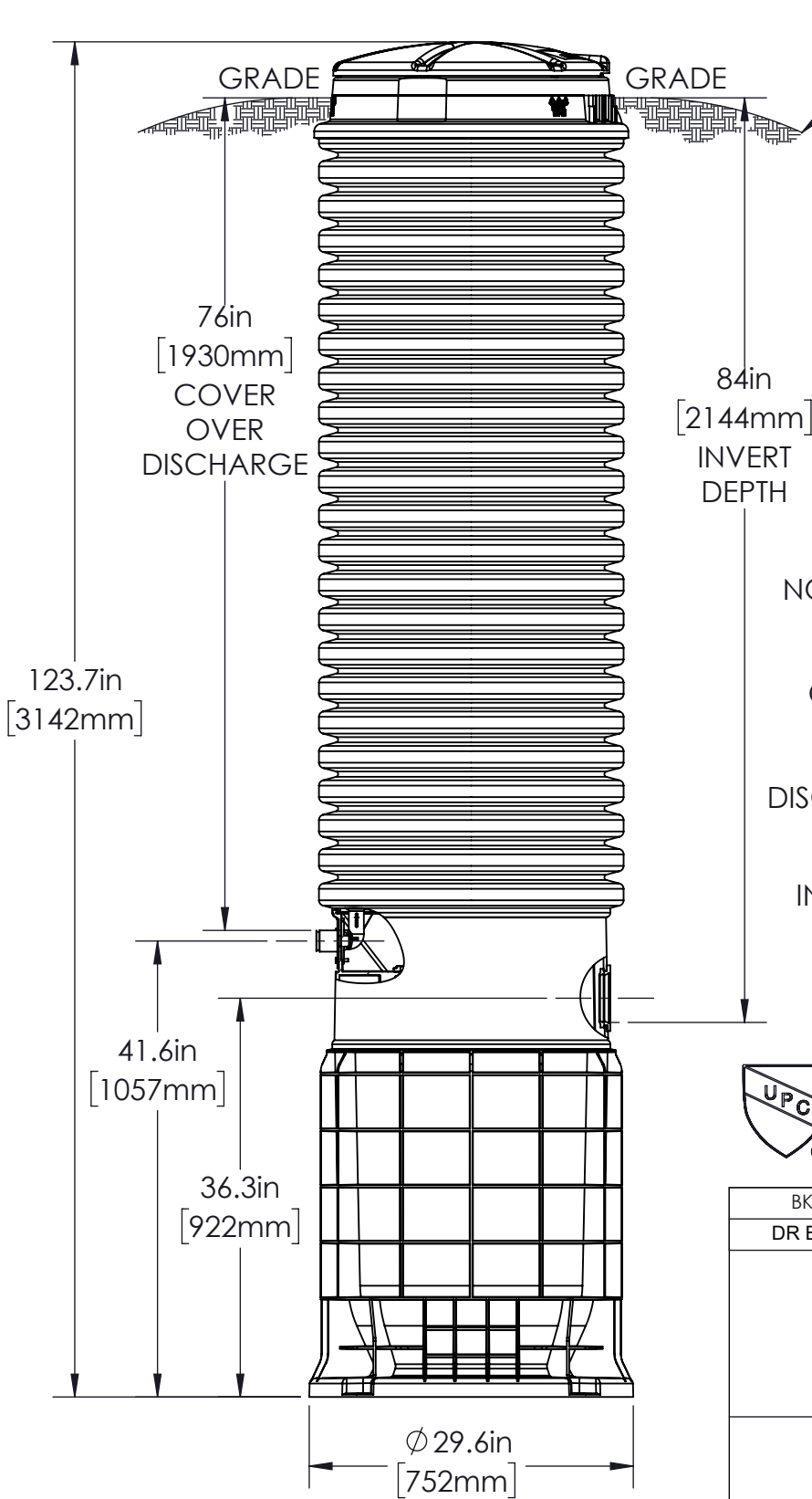
BK	JG	10/13/2023	D	1:16
DR BY	CHK'D	DATE	ISSUE	SCALE



MODEL DH071-93  
CUT SHEET

NA0050P06

# DH071-124



GRADE MUST SLOPE AWAY FROM STATION

NOTE: DIMENSIONS ARE FOR REF. ONLY

CONCRETE BALLAST NOT REQUIRED

DISCHARGE: 1-1/4in FEMALE PIPE THREAD

INLET: EPDM GROMMET FOR 4in DWV PIPE (STANDARD)



BK	JG	10/13/2023	D	1:16
DR BY	CHK'D	DATE	ISSUE	SCALE



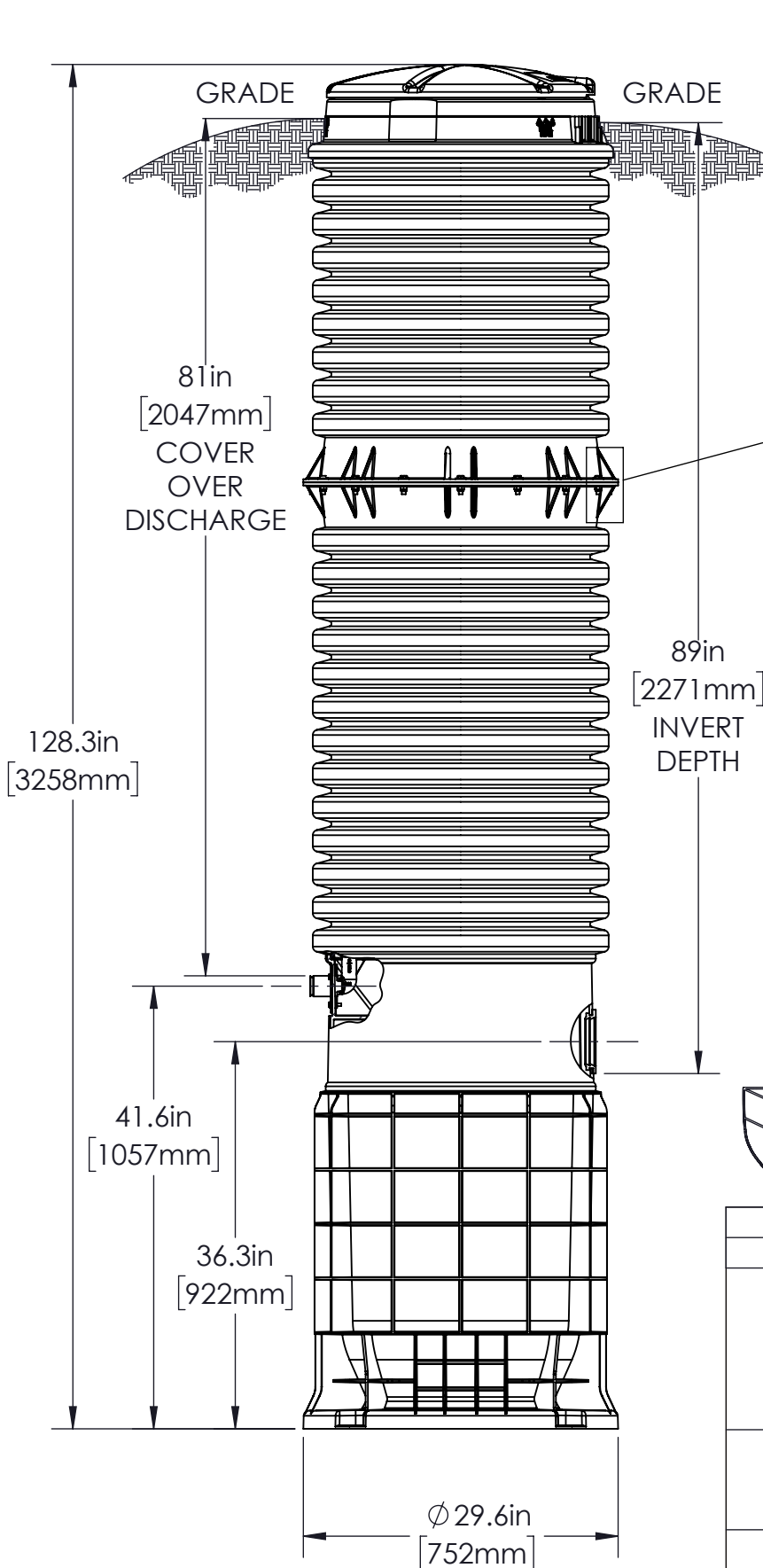
**SEWER SYSTEMS**

**MODEL DH071-124**

CUT SHEET

**NA0050P07**

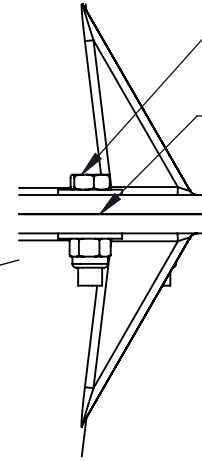
# DH071-129



GRADE MUST SLOPE AWAY FROM STATION

3/8in SS HARDWARE -FIELD ASSEMBLY- (16 PLACES)

SIKA TAPE -FIELD LOCATE-



**FIELD JOINT DETAIL**  
SEE INSTALLATION INSTRUCTIONS FOR FURTHER DETAIL

NOTE: DIMENSIONS ARE FOR REF. ONLY

CONCRETE BALLAST NOT REQUIRED

DISCHARGE: 1-1/4in FEMALE PIPE THREAD

INLET: EPDM GROMMET FOR 4in DWV PIPE (STANDARD)



BK	JG	10/13/2023	D	1:16
DR BY	CHK'D	DATE	ISSUE	SCALE



**SEWER SYSTEMS**

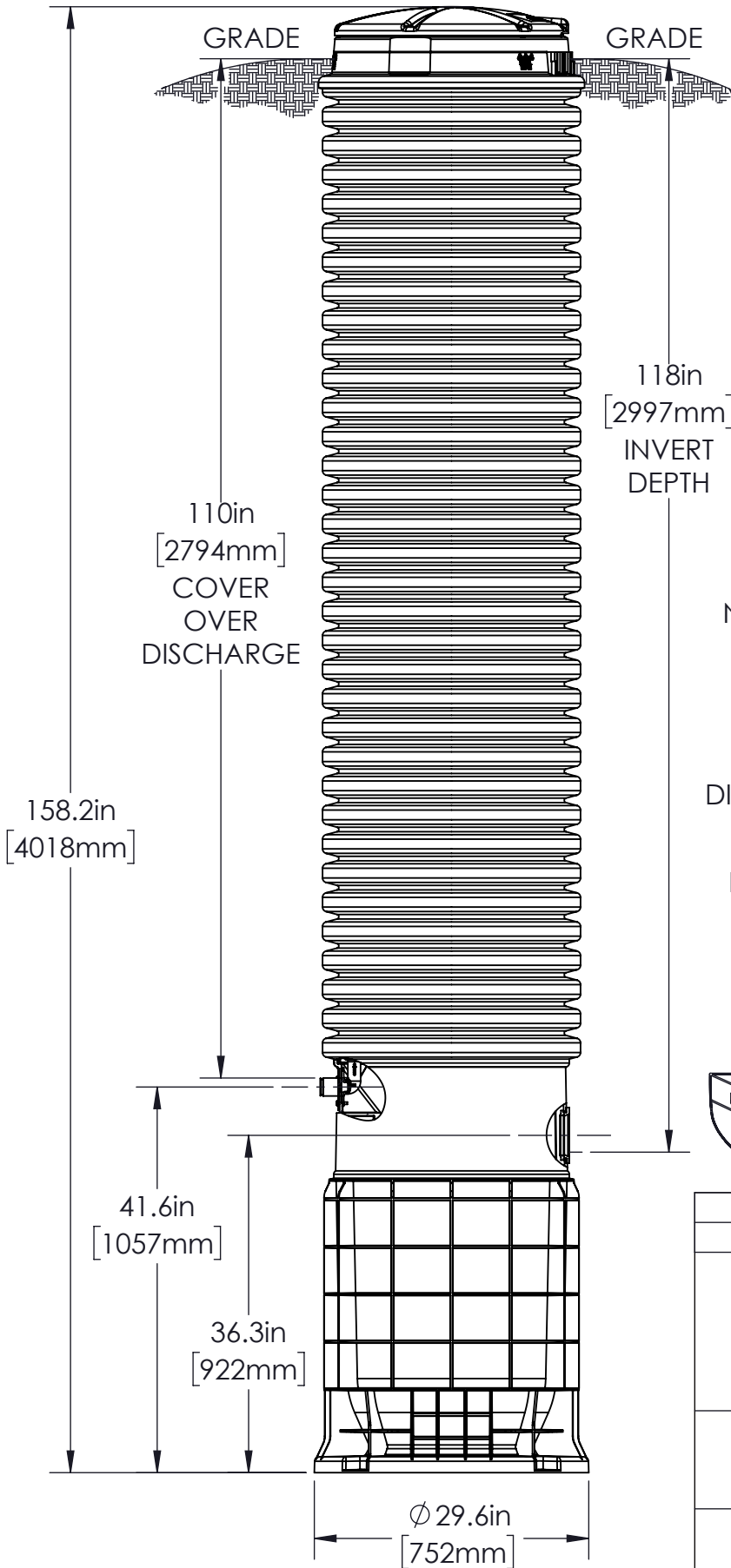
**MODEL DH071-129**

CUT SHEET

**NA0050P08**



# DH071-158



GRADE MUST SLOPE AWAY FROM STATION

NOTE: DIMENSIONS ARE FOR REF ONLY

CONCRETE BALLAST NOT REQUIRED

DISCHARGE 1-1/4in FEMALE PIPE THREAD

INLET: EPDM GROMMET FOR 4in DWV PIPE (STANDARD)



BK	JG	10/13/2023	D	1:18
DR BY	CHK'D	DATE	ISSUE	SCALE



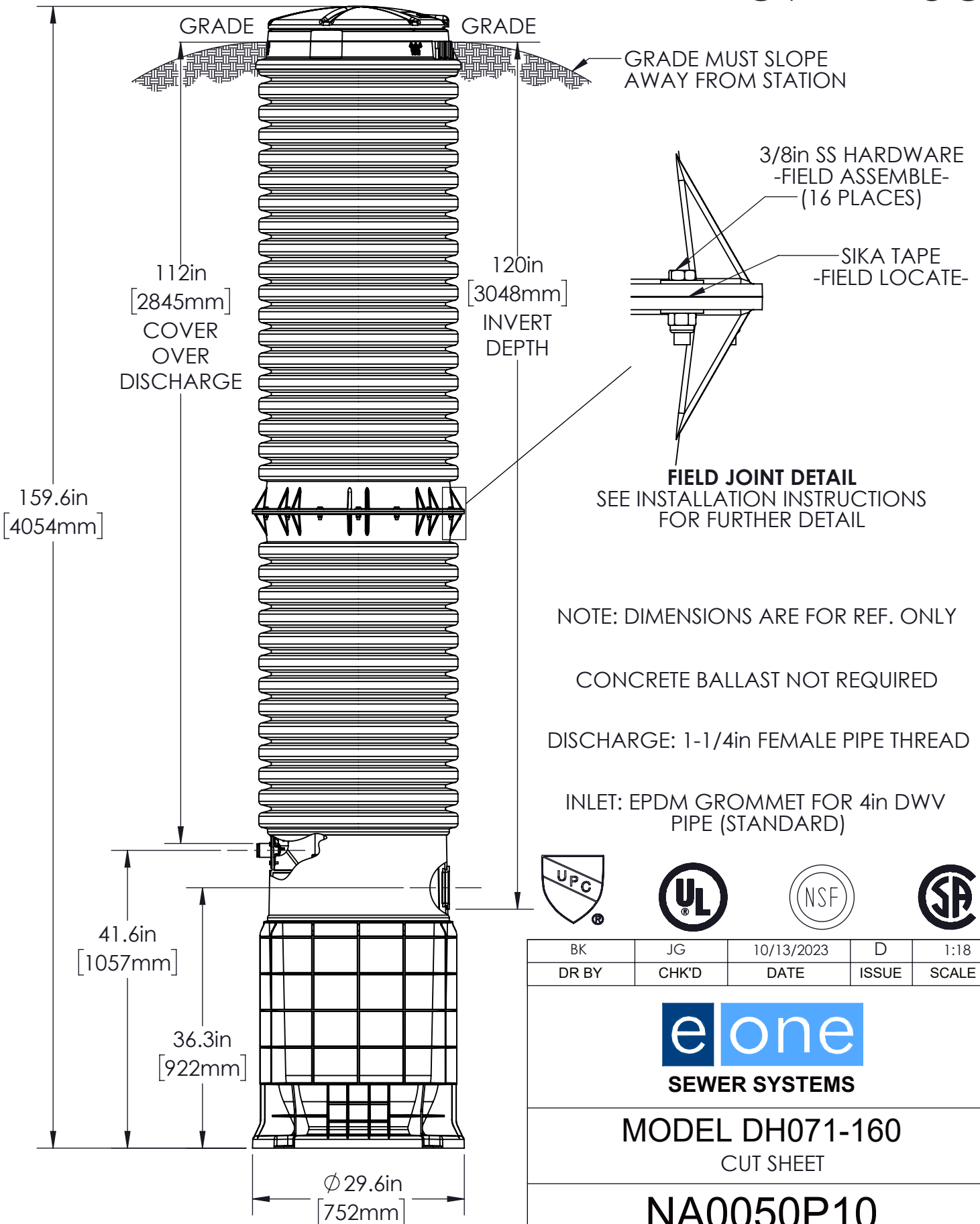
**SEWER SYSTEMS**

**MODEL DH071-158**

CUT SHEET

**NA0050P09**

# DH071-160



BK	JG	10/13/2023	D	1:18
DR BY	CHK'D	DATE	ISSUE	SCALE

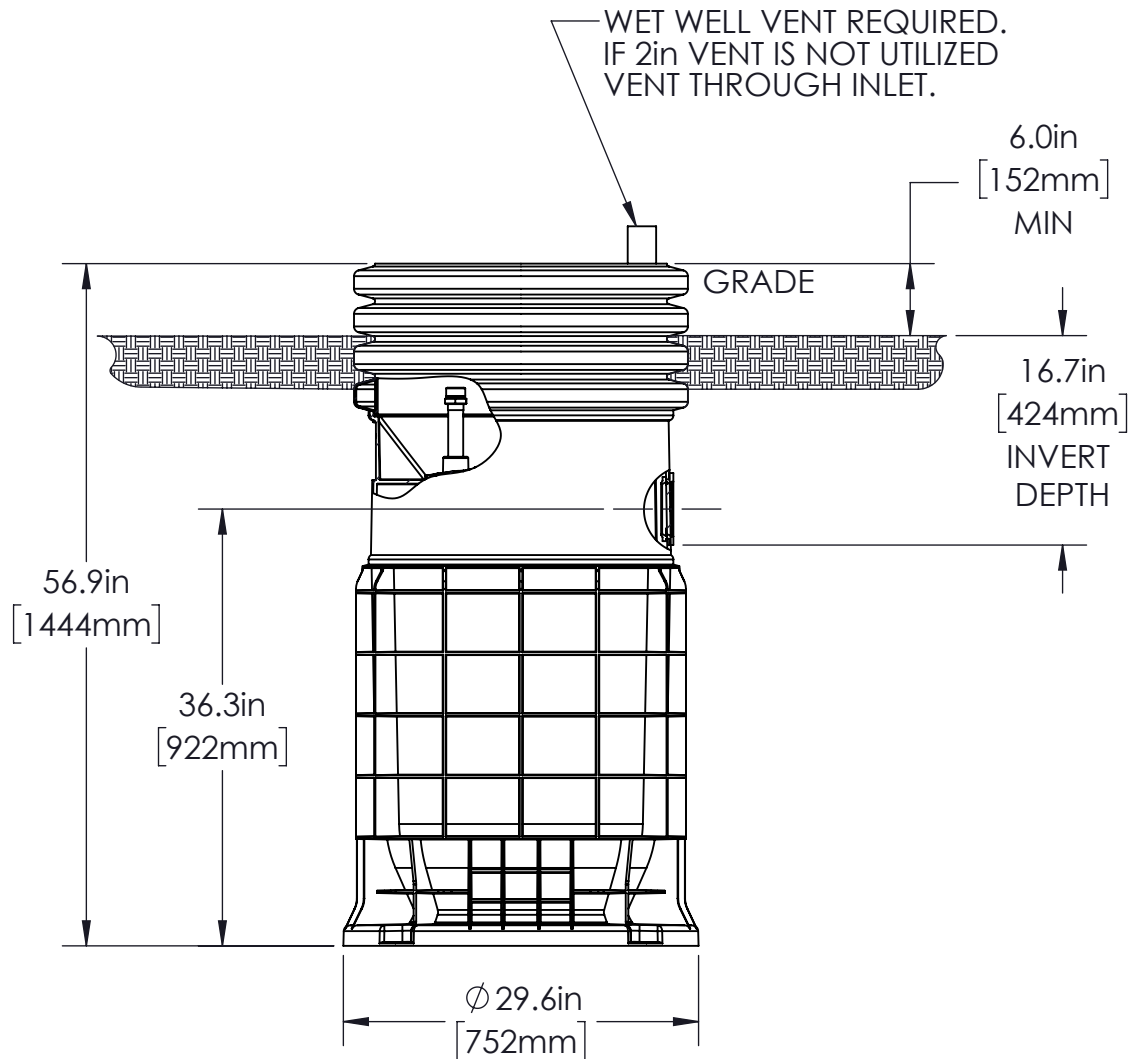


MODEL DH071-160  
CUT SHEET

NA0050P10

# DH071-57

## STRAIGHT DISCHARGE



NOTE: DIMENSIONS ARE FOR REF. ONLY

DISCHARGE: 1-1/4in MALE PIPE THREAD

INLET: EPDM GROMMET FOR 4in DWV  
PIPE (STANDARD)

BK	JG	10/13/2023	C	1:16
DR BY	CHK'D	DATE	ISSUE	SCALE



**SEWER SYSTEMS**

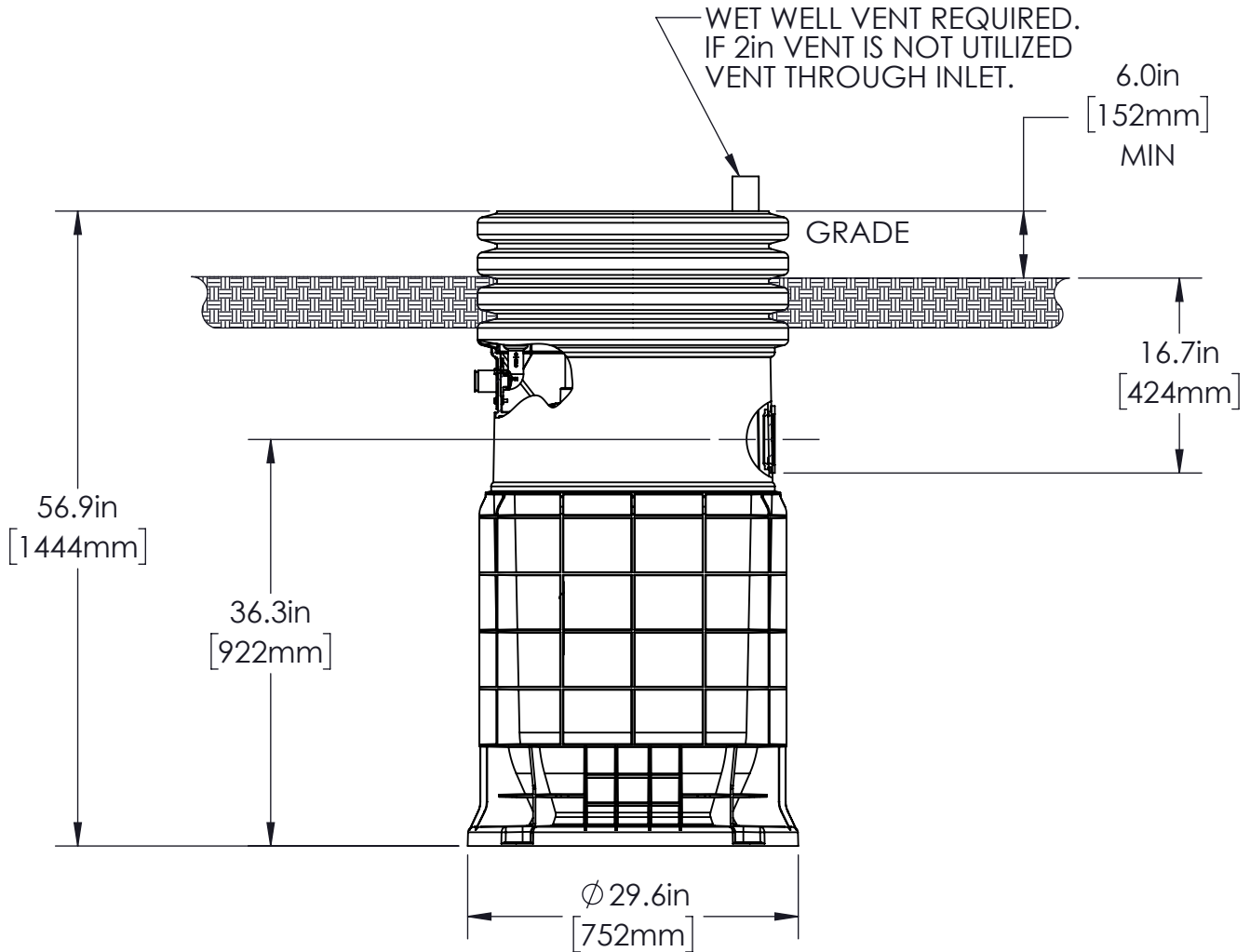
**MODEL DH071-57**

BUILDERS MODEL

**NA0050P11**

# DH071-57

## DISCHARGE VALVE



NOTE: DIMENSIONS ARE FOR REF. ONLY

DISCHARGE: 1-1/4in FEMALE PIPE THREAD

INLET: EPDM GROMMET FOR 4in DWV  
PIPE (STANDARD)

BK	JG	10/13/2023	C	1:16
DR BY	CHK'D	DATE	ISSUE	SCALE



**SEWER SYSTEMS**

**MODEL DH071-57**

BUILDERS MODEL

**NA0050P12**