

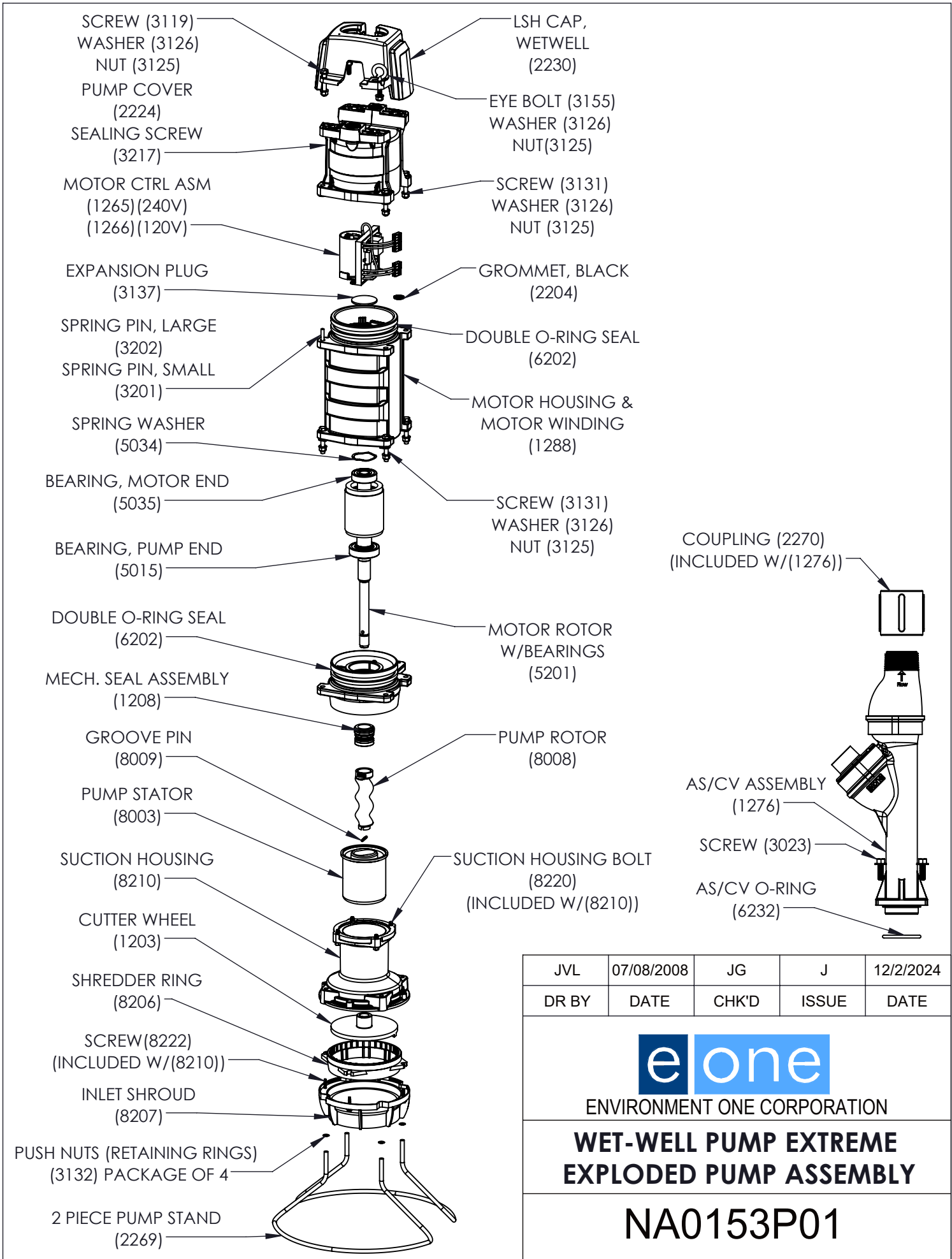
SGS	08/28/2008	JG	J	12/2/2024
DR BY	DATE	CHK'D	ISSUE	DATE




ENVIRONMENT ONE CORPORATION

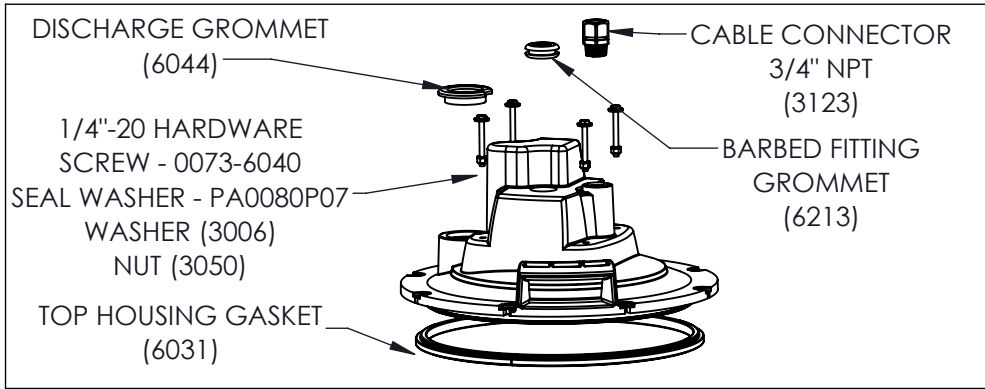
**DRY-WELL PUMP EXTREME  
EXPLODED PUMP ASSEMBLY**

**NA0152P01**

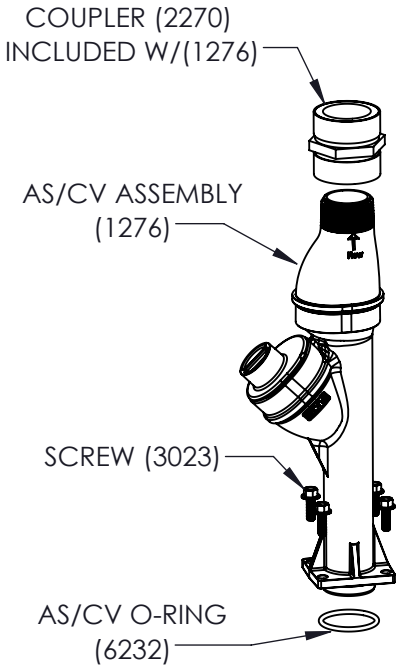
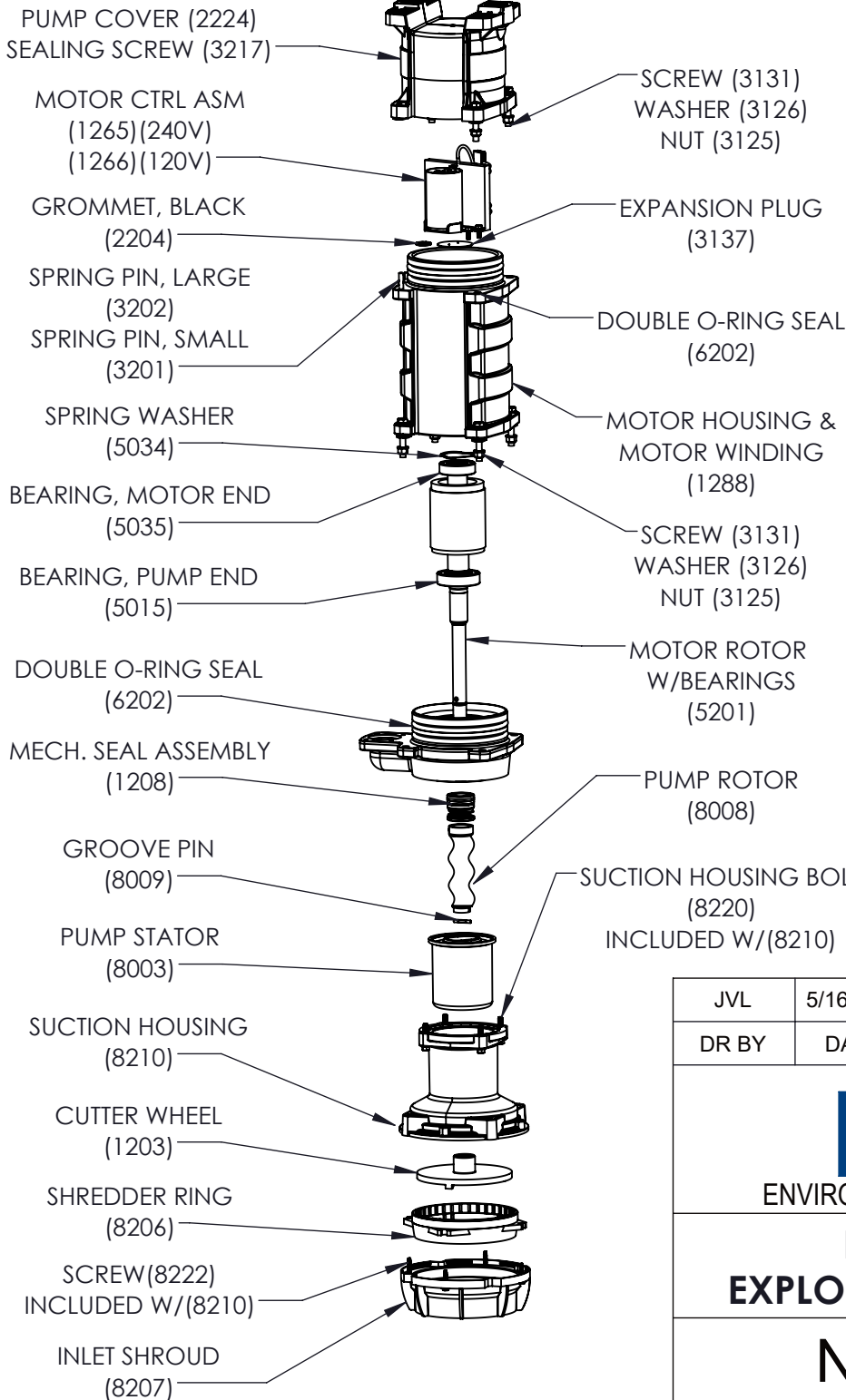


JVL	07/08/2008	JG	J	12/2/2024
DR BY	DATE	CHK'D	ISSUE	DATE

  
 ENVIRONMENT ONE CORPORATION  
**WET-WELL PUMP EXTREME  
 EXPLODED PUMP ASSEMBLY**  
**NA0153P01**



REPLACEMENT TOP HOUSING ASSEMBLY (1201)  
(INCLUDES HARDWARE, GASKET, CABLE CONNECTOR, AND GROMMETS)

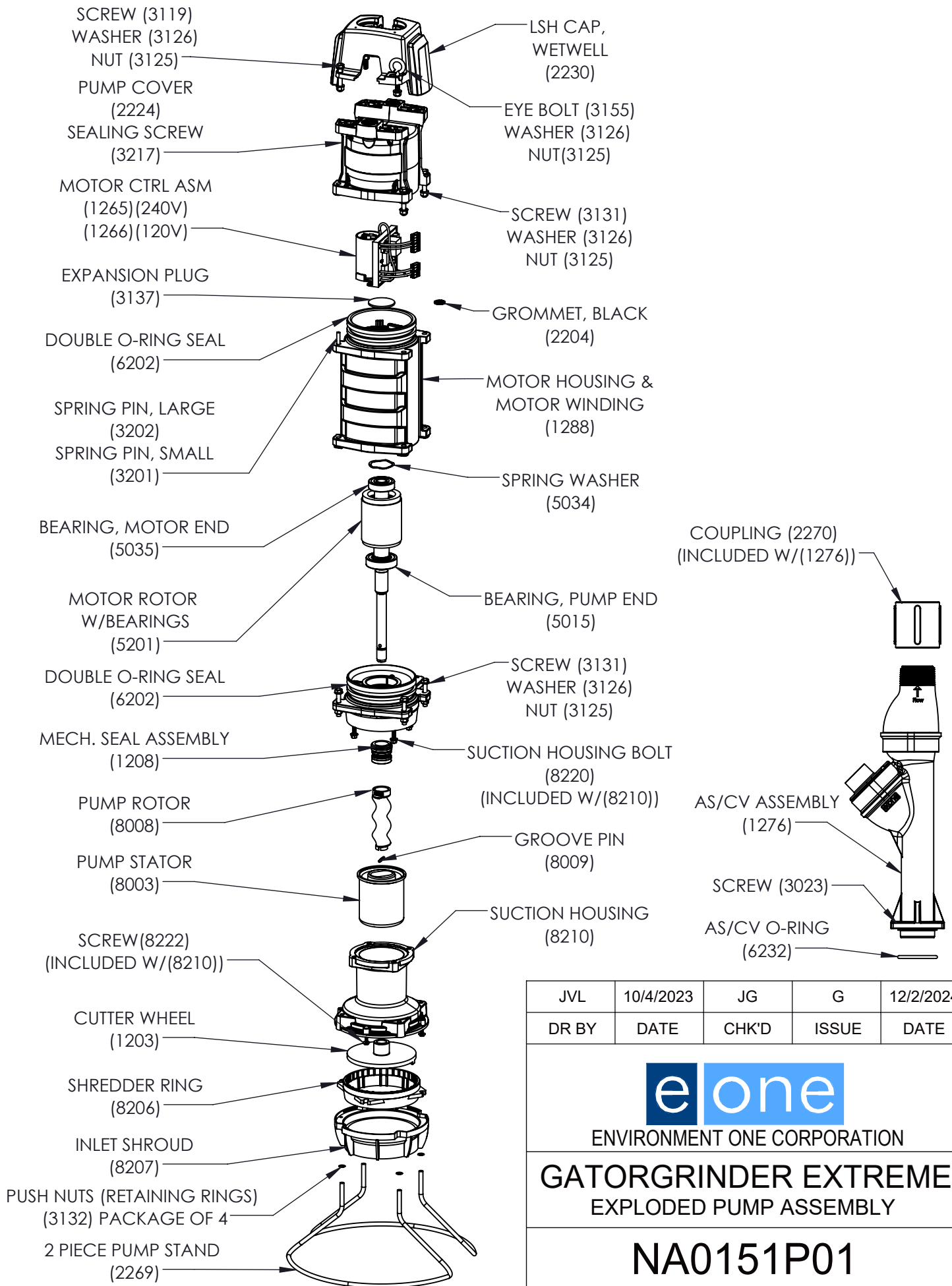


JVL	5/16/2023	JG	C	12/2/2024
DR BY	DATE	CHK'D	ISSUE	DATE


**e one**  
ENVIRONMENT ONE CORPORATION

**EXTREME IH091  
EXPLODED PUMP ASSEMBLY**

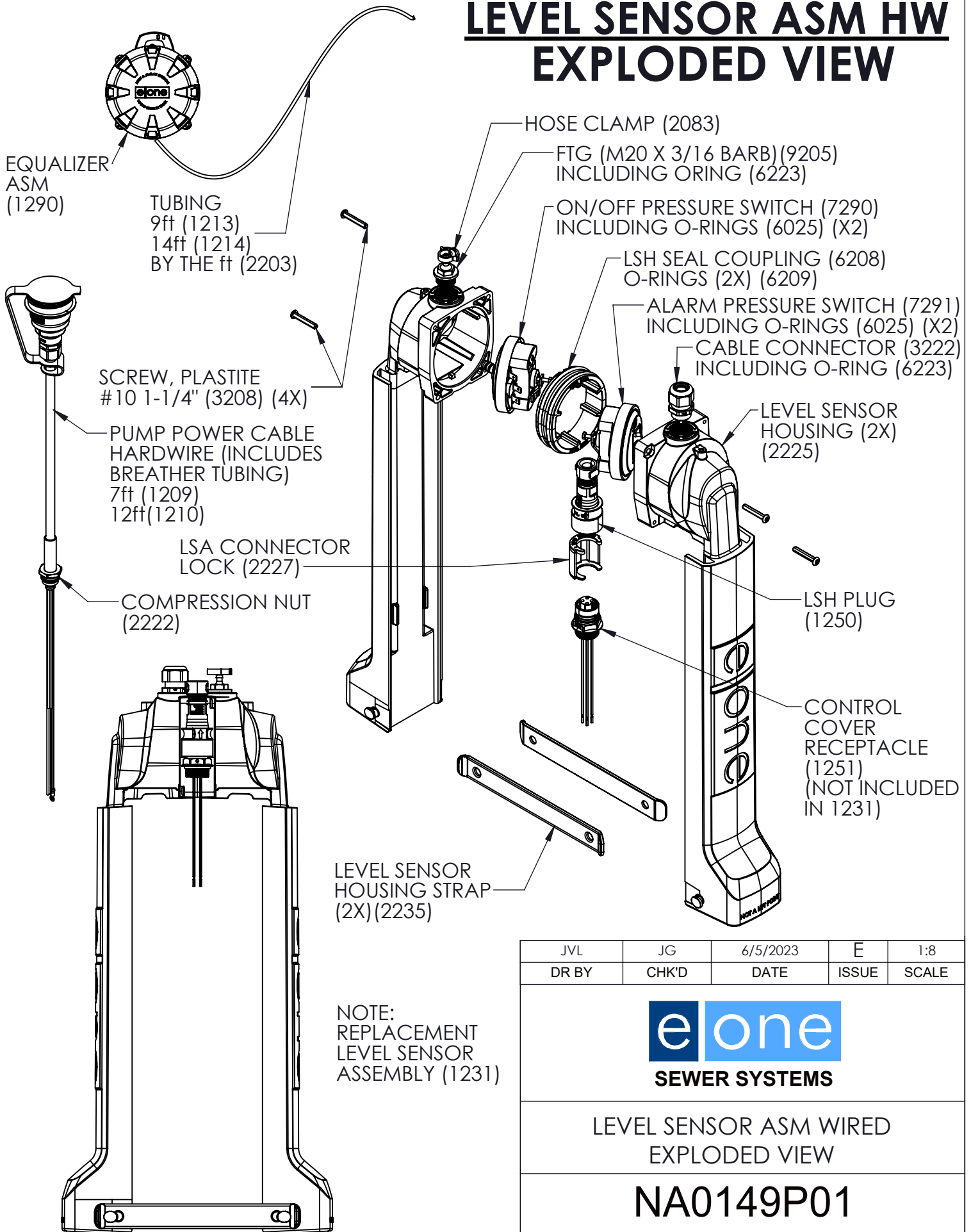
**NA0152P02**



JVL	10/4/2023	JG	G	12/2/2024
DR BY	DATE	CHK'D	ISSUE	DATE

  
 ENVIRONMENT ONE CORPORATION  
**GATORGRINDER EXTREME**  
 EXPLODED PUMP ASSEMBLY  
**NA0151P01**

# LEVEL SENSOR ASM HW EXPLODED VIEW



NOTE:  
REPLACEMENT  
LEVEL SENSOR  
ASSEMBLY (1231)

JVL	JG	6/5/2023	E	1:8
DR BY	CHK'D	DATE	ISSUE	SCALE



**SEWER SYSTEMS**

LEVEL SENSOR ASM WIRED  
EXPLODED VIEW

**NA0149P01**