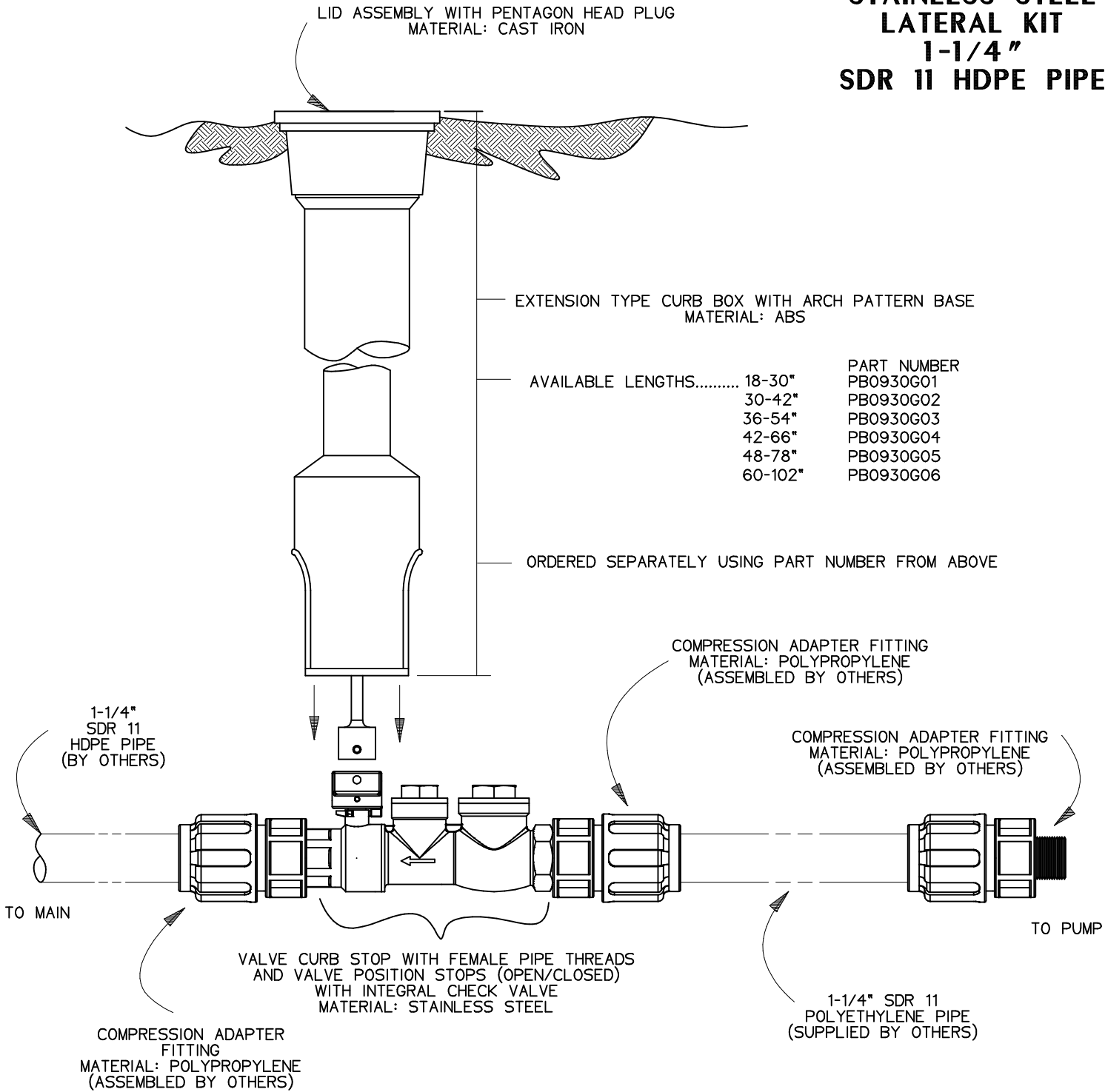


**STAINLESS STEEL
LATERAL KIT
1-1/4"
SDR 11 HDPE PIPE**



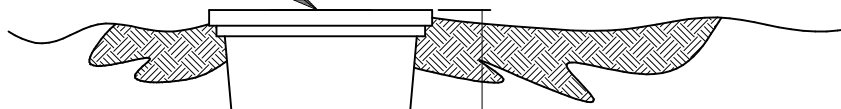
NOTES: KIT PARTS ARE NOT ASSEMBLED

1. SS CURB STOP/CHECK VALVE AND FITTINGS ARE PROVIDED SEPARATELY, TO BE ASSEMBLED BY OTHERS
2. TO ASSEMBLE, APPLY A DOUBLE LAYER OF TEFLON TAPE, AND A LAYER OF PIPE DOPE (SUPPLIED BY OTHERS) TO THE THREADS ON THE PLASTIC FITTINGS AND INSTALL PER THE MANUFACTURER'S INSTRUCTIONS
*FOR SS FITTING INTO SS THREAD, USE PIPE DOPE OR TEFLON TAPE, NOT BOTH
3. ASSEMBLY IS TO BE PRESSURE TESTED (BY OTHERS)
4. ASSEMBLY IS TO BE USED WITH SDR11 HDPE PIPE
5. TO ORDER SS LATERAL KIT, USE PART NUMBER NCO193G01
6. CURB BOX IS TO BE ORDERED SEPARATELY, SEE ABOVE

SGS	DN	11/02/11	B	3/16
DR BY	CHK'D	DATE	ISSUE	SCALE
				
STAINLESS STEEL LATERAL KIT 1-1/4" SDR 11 HDPE PIPE				
NA0330P02				

STAINLESS STEEL LATERAL KIT 1-1/2" SDR 11 HDPE PIPE

LID ASSEMBLY WITH PENTAGON HEAD PLUG
MATERIAL: CAST IRON



EXTENSION TYPE CURB BOX WITH ARCH PATTERN BASE
MATERIAL: ABS

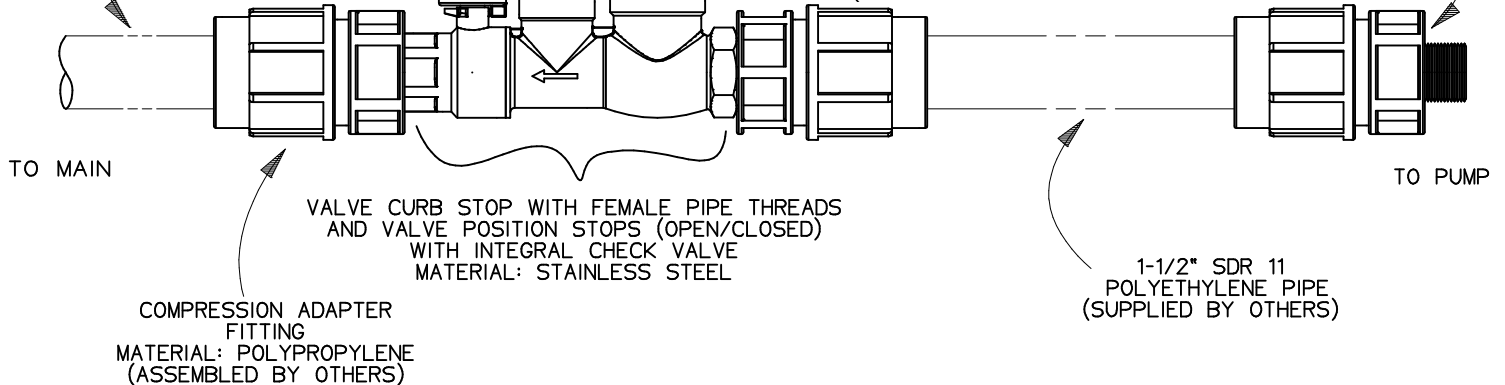
AVAILABLE LENGTHS.....	18-30"	PART NUMBER
	30-42"	PB0930G01
	36-54"	PB0930G02
	42-66"	PB0930G03
	48-78"	PB0930G04
	60-102"	PB0930G05
		PB0930G06

ORDERED SEPARATELY USING PART NUMBER FROM ABOVE

COMPRESSION ADAPTER FITTING
MATERIAL: POLYPROPYLENE
(ASSEMBLED BY OTHERS)

COMPRESSION ADAPTER FITTING
MATERIAL: POLYPROPYLENE
(ASSEMBLED BY OTHERS)

1-1/2"
SDR 11
HDPE PIPE
(BY OTHERS)



NOTES:

1. SS CURB STOP/CHECK VALVE AND FITTINGS ARE PROVIDED SEPARATELY, TO BE ASSEMBLED BY OTHERS
2. TO ASSEMBLE, APPLY A DOUBLE LAYER OF TEFLON TAPE, AND A LAYER OF PIPE DOPE (SUPPLIED BY OTHERS) TO THE THREADS ON THE PLASTIC FITTINGS AND INSTALL PER THE MANUFACTURER'S INSTRUCTIONS
*FOR SS FITTING INTO SS THREAD, USE EITHER PIPE DOPE OR TEFLON TAPE, NOT BOTH
3. ASSEMBLY IS TO BE PRESSURE TESTED (BY OTHERS)
4. ASSEMBLY IS TO BE USED WITH SDR11 HDPE PIPE
5. TO ORDER SS LATERAL KIT, USE PART NUMBER NCO193G02
6. CURB BOX IS TO BE ORDERED SEPARATELY, SEE ABOVE

KIT PARTS ARE NOT ASSEMBLED

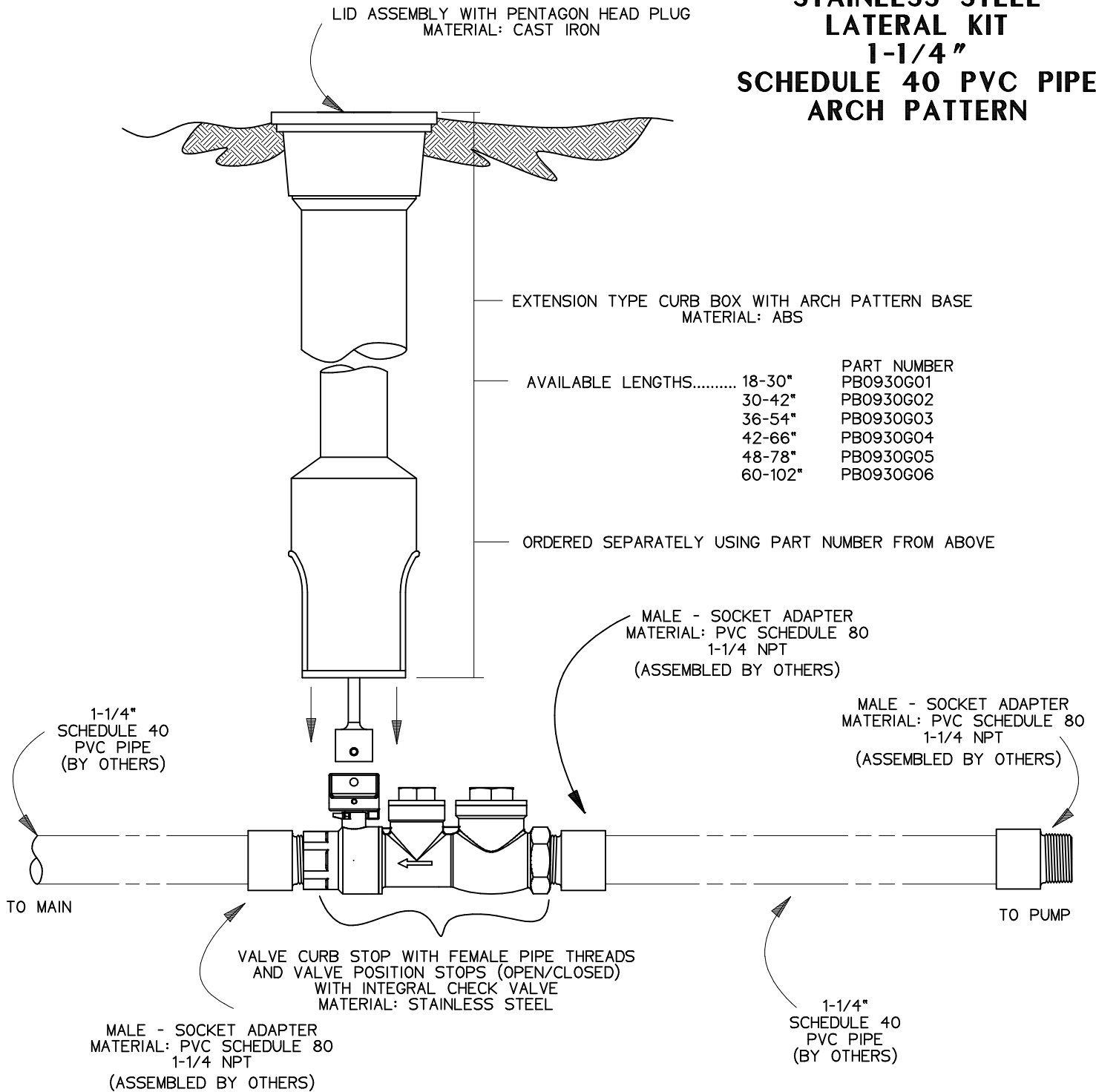
SGS	DN	11/02/11	B	3/16
DR BY	CHK'D	DATE	ISSUE	SCALE



STAINLESS STEEL LATERAL KIT
1-1/2" SDR 11 HDPE PIPE

NA0330P03

STAINLESS STEEL LATERAL KIT 1-1/4" SCHEDULE 40 PVC PIPE ARCH PATTERN



NOTES:

1. SS CURB STOP/CHECK VALVE AND FITTINGS ARE PROVIDED SEPARATELY, TO BE ASSEMBLED BY OTHERS
2. TO ASSEMBLE, APPLY A DOUBLE LAYER OF TEFLON TAPE, AND A LAYER OF PIPE DOPE (SUPPLIED BY OTHERS) TO THE THREADS ON THE PLASTIC FITTINGS AND INSTALL PER THE MANUFACTURER'S INSTRUCTIONS
*FOR SS FITTING INTO SS THREAD, USE EITHER PIPE DOPE OR TEFLON TAPE, NOT BOTH
3. ASSEMBLY IS TO BE PRESSURE TESTED (BY OTHERS)
4. ASSEMBLY IS TO BE USED WITH SCHEDULE 40 PVC PIPE
5. TO ORDER SS LATERAL KIT, USE PART NUMBER NC0193G03
6. CURB BOX IS TO BE ORDERED SEPARATELY, SEE ABOVE

KIT PARTS ARE NOT ASSEMBLED

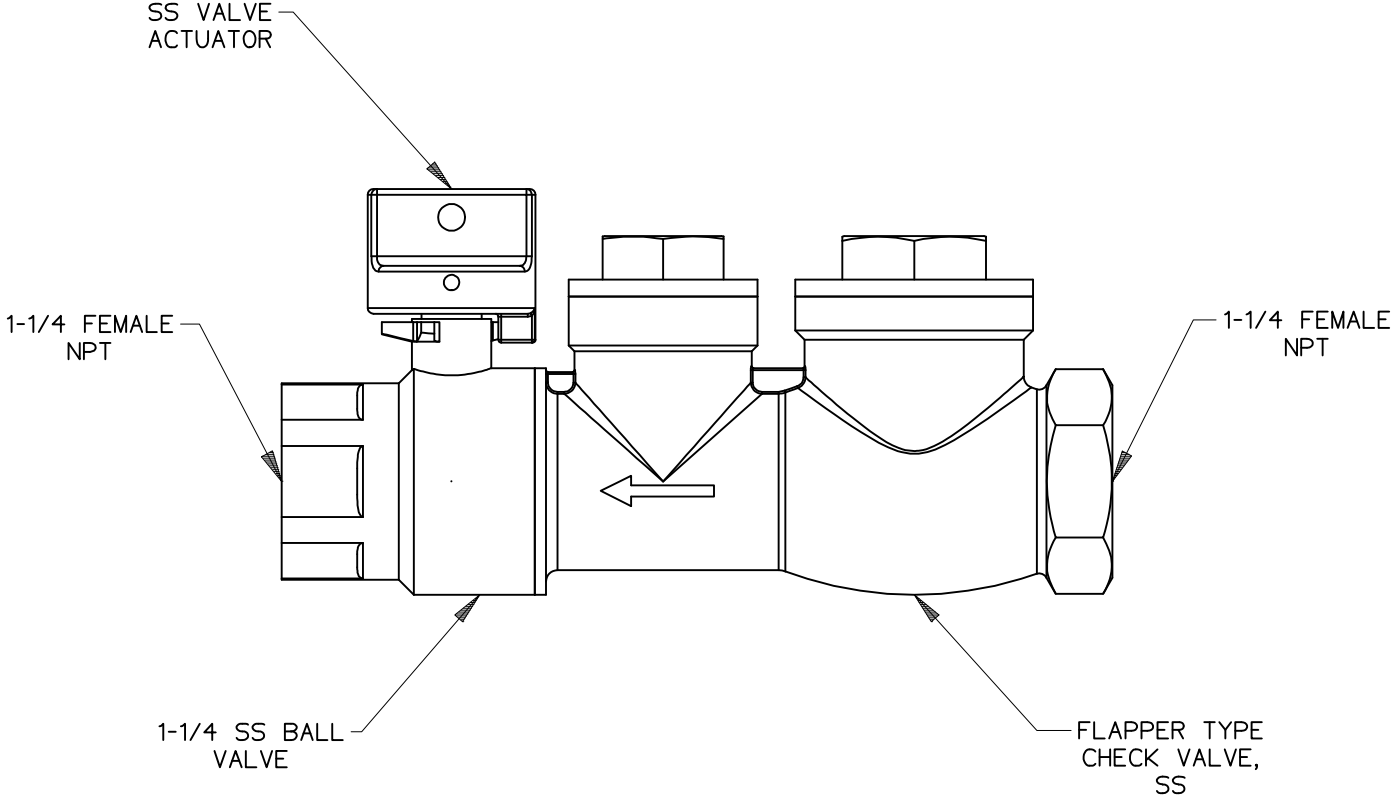
SGS	DN	11/02/11	C	3/16
DR BY	CHK'D	DATE	ISSUE	SCALE



STAINLESS STEEL LATERAL KIT
1-1/4" SCHEDULE 40 PIPE

NA0330P04

**STAINLESS STEEL
LATERAL ASSEMBLY
NO FITTINGS**



PART IS A BALL VALVE CURB STOP WITH FEMALE PIPE THREADS,
VALVE POSITION STOPS (OPEN/CLOSED), AND INTEGRAL CHECK VALVE
MATERIAL: STAINLESS STEEL

PRESSURE RATING: 235 PSI

TO ORDER SS LATERAL, NO FITTINGS
USE PART NUMBER NB0184P01

NOTES:

1. FOR SS FITTING INTO SS THREAD, USE PIPE DOPE OR TEFLON TAPE, NOT BOTH
2. FOR PLASTIC FITTINGS INTO SS THREAD, USE BOTH PIPE DOPE AND 2 LAYERS OF TEFLON TAPE

SGS	DN	09/20/11	A	3/16
DR BY	CHK'D	DATE	ISSUE	SCALE



STAINLESS STEEL LATERAL ASSEMBLY
NO FITTINGS

NA0330P05