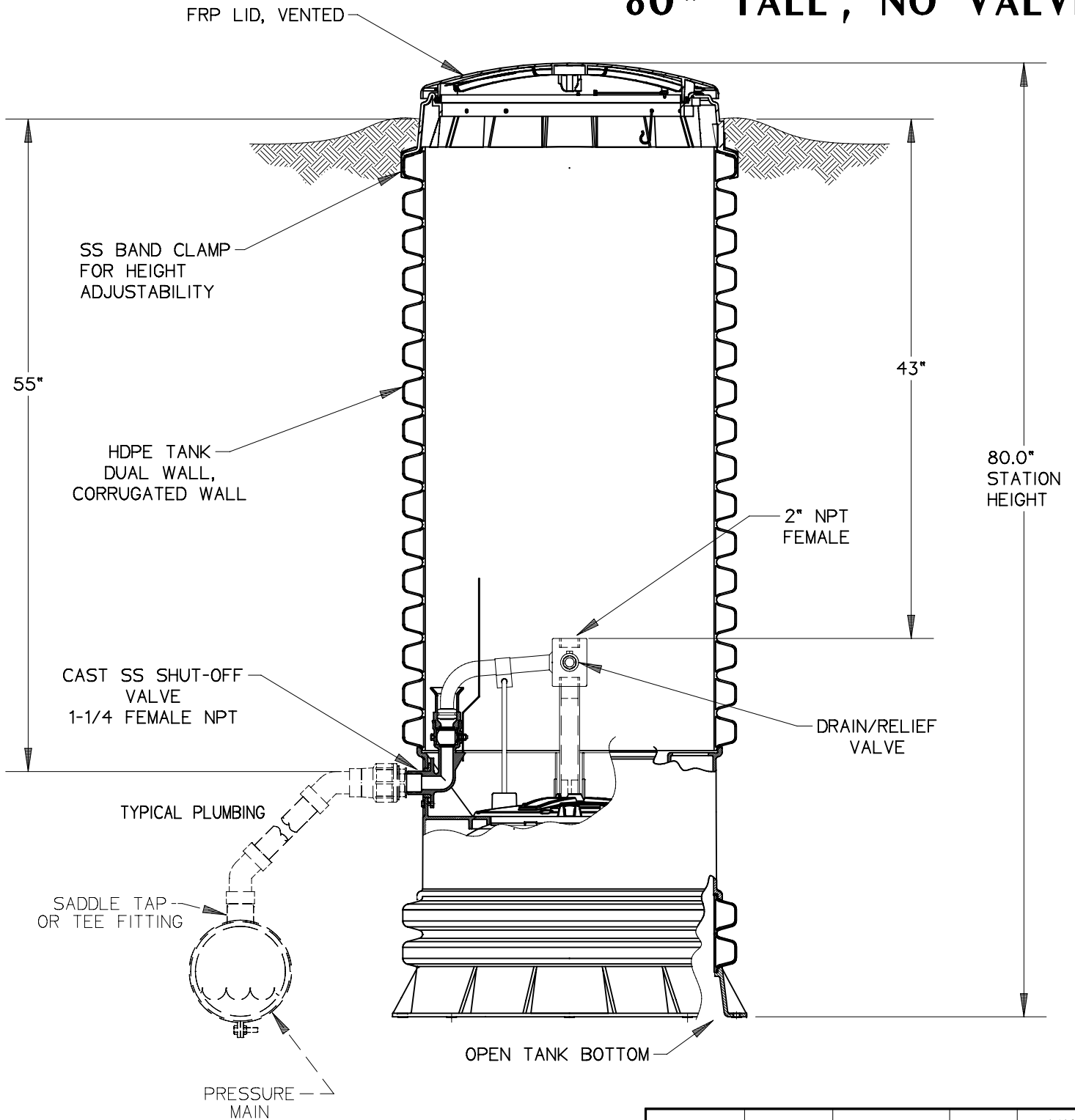


AIR RELEASE STATION 80" TALL, NO VALVE



NOTES:

1. AIR RELEASE VALVE, NOT INCLUDED, IS TO BE BELOW FROST DEPTH
2. ALL ITEMS SHOWN IN DASHED LINES ARE FOR REFERENCE ONLY, AND ARE SUPPLIED BY OTHERS

ORDER NUMBER: NC0078G04

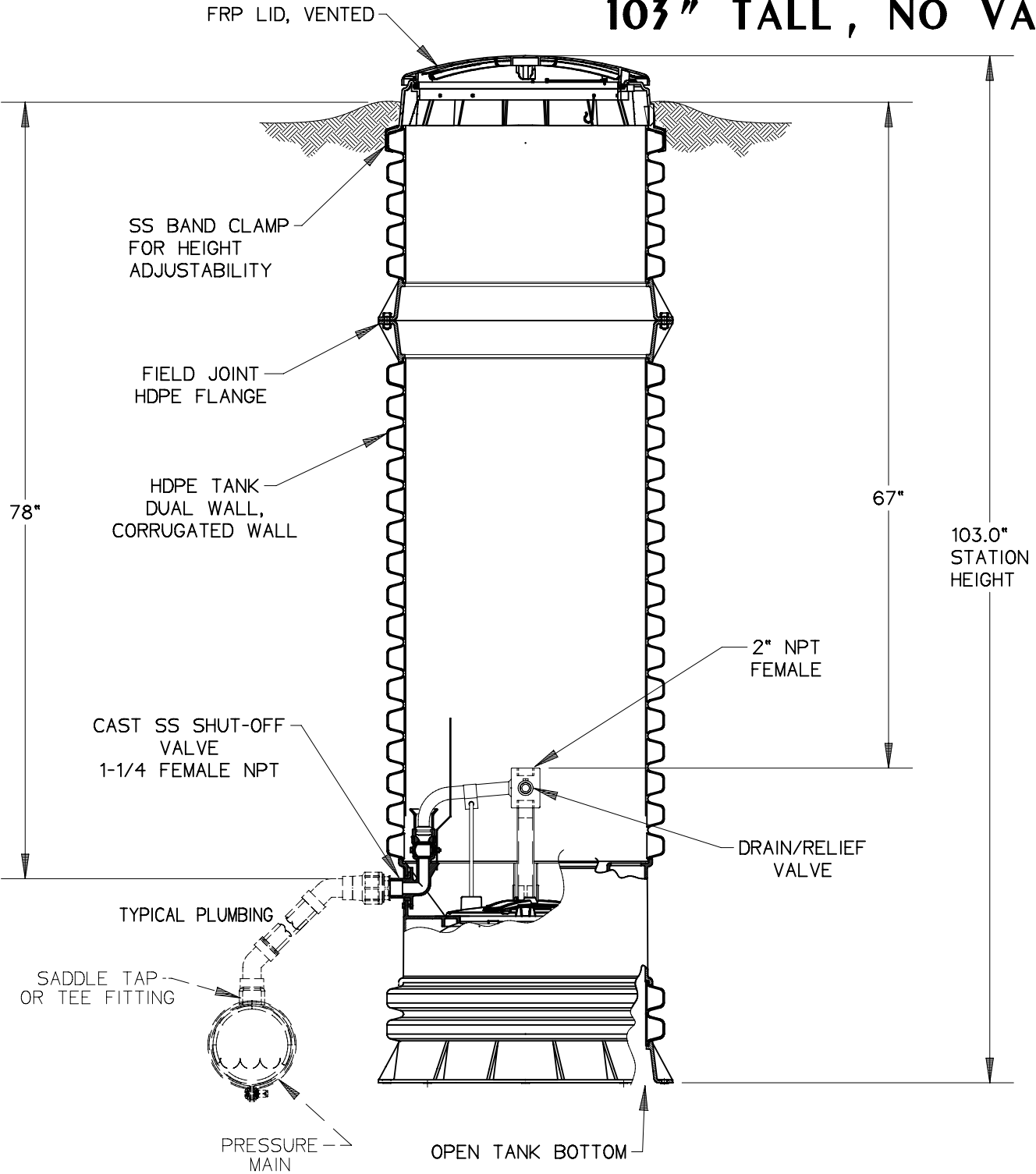
SGS		02/04/09	-	1/16
DR BY	CHK'D	DATE	ISSUE	SCALE



CUT SHEET, AIR RELEASE STATION
80" TALL, NO VALVE

NA0183P04

AIR RELEASE STATION 103" TALL, NO VALVE



NOTES:

1. AIR RELEASE VALVE, NOT INCLUDED, IS TO BE BELOW FROST DEPTH
2. ALL ITEMS SHOWN IN DASHED LINES ARE FOR REFERENCE ONLY, AND ARE SUPPLIED BY OTHERS

SGS		02/04/09	-	1/16
DR BY	CHK'D	DATE	ISSUE	SCALE

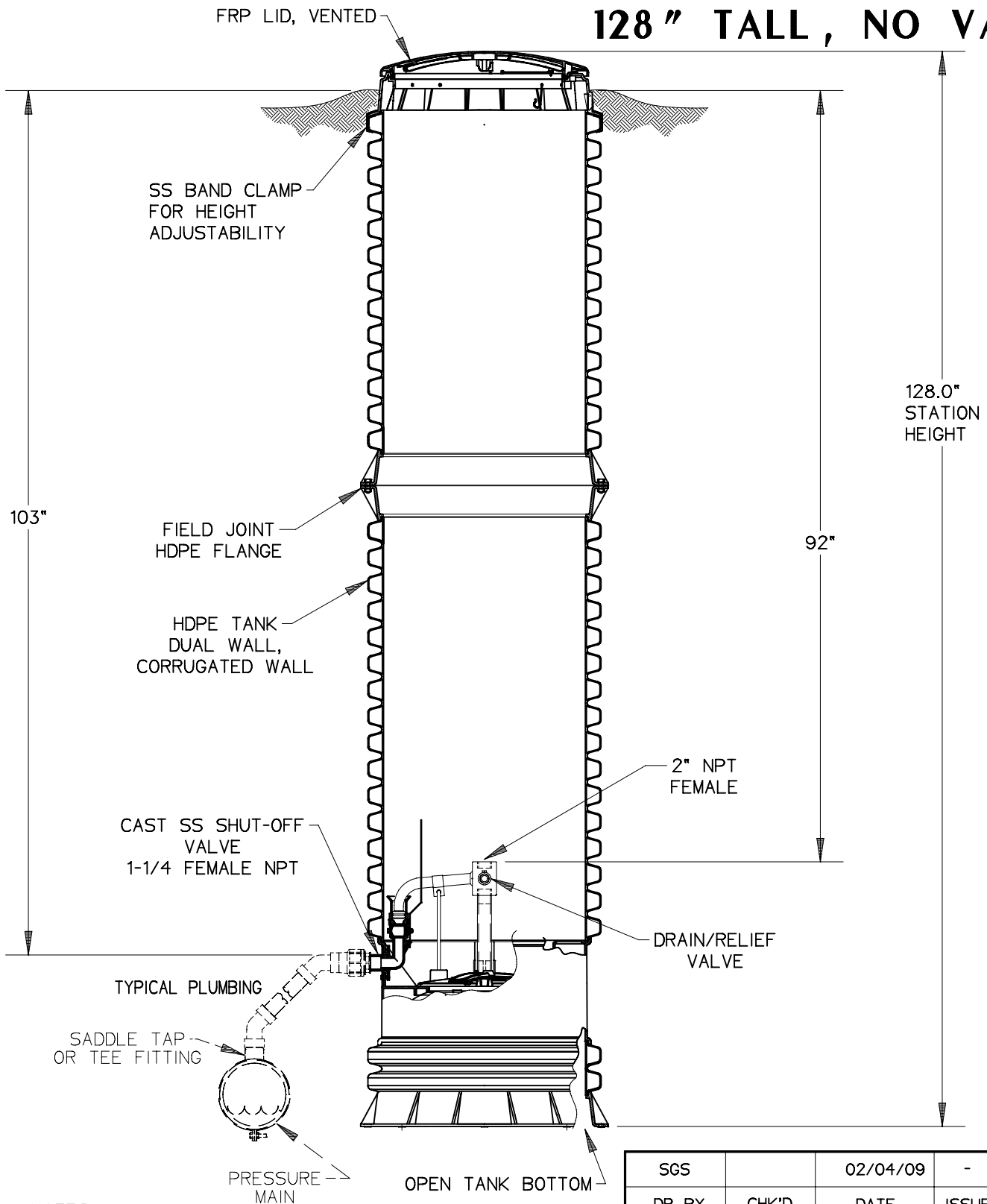


CUT SHEET, AIR RELEASE STATION
103" TALL, NO VALVE

ORDER NUMBER: NC0078G05

NA0183P05

AIR RELEASE STATION 128" TALL, NO VALVE



NOTES:

1. AIR RELEASE VALVE, NOT INCLUDED, IS TO BE BELOW FROST DEPTH
2. ALL ITEMS SHOWN IN DASHED LINES ARE FOR REFERENCE ONLY, AND ARE SUPPLIED BY OTHERS

ORDER NUMBER: NC0078G06

SGS		02/04/09	-	1/16
DR BY	CHK'D	DATE	ISSUE	SCALE



CUT SHEET, AIR RELEASE STATION
128" TALL, NO VALVE

NA0183P06