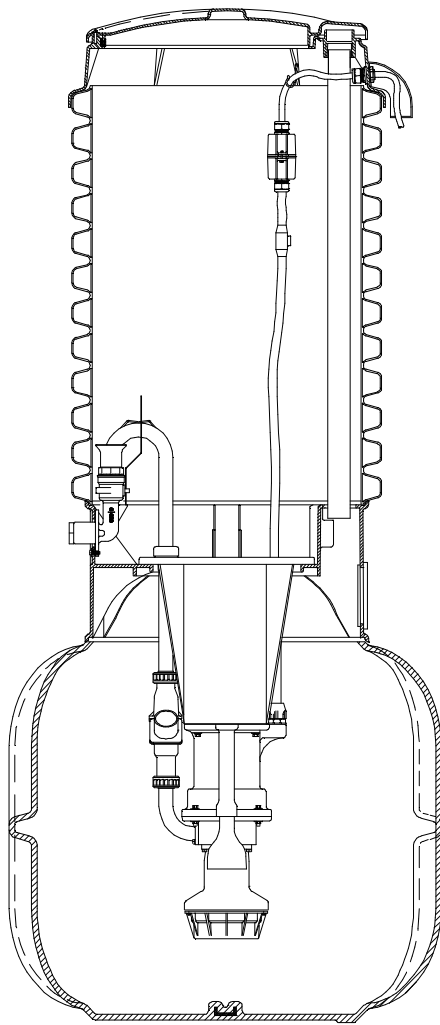


GP2012



General Applications

The size, efficiency and operating economy of the GP 2012 make it your best choice for duplex dwellings, waterfront property, subdivision developments and marinas. The GP 2012 is ideally suited for both new and existing communities.

General Features

The GP 2012 Grinder Pump is a complete unit that includes: the grinder pump, check valve, HDPE (high density polyethylene) tank and controls. The GP 2012 is packaged into a single complete unit, ready for installation.

All solids are ground into fine particles, allowing them to pass easily through the pump, check valve and small-diameter pipelines. Even objects not normally found in sewage, such as plastic, rubber, fiber, wood, etc., are ground into fine particles.

The 1 1/4-inch discharge connection is adaptable to any piping materials, thereby allowing us to meet local code requirements.

The tank is made of tough corrosion-resistant HDPE. The optimum tank capacity of 150 gallons is based on computer studies of water usage patterns. A single GP 2012 is ideal for up to two average, single-family homes and can also be used for up to six average single-family homes where codes allow and with the consent of the factory. This model can accommodate flows of 1500 GPD.

The internal check valve assembly, located in the grinder pump, is custom-

designed for non-clog, trouble-free operation.

The grinder pump is automatically activated and runs infrequently for very short periods. The annual energy consumption is typically that of a 40-watt light bulb.

Units are available for indoor and outdoor installations. Outdoor units are designed to accommodate a wide range of burial depths.

Operation Information

Motor

1 hp, 1,725 rpm, high torque, capacitor start, thermally protected, 120/240V, 60 Hz, 1 phase

Inlet Connections

4-inch inlet grommet standard for DWV pipe. Other inlet configurations available from the factory.

Discharge Connections

Pump discharge terminates in 1 1/4-inch NPT female thread. Can easily be adapted to 1 1/4-inch PVC pipe or any other material required by local codes.

Discharge*

15 gpm at 0 psig

11 gpm at 40 psig

9 gpm at 60 psig

Overload Capacity

The maximum pressure that the pump can generate is limited by the motor characteristics. The motor generates a pressure well below the rating of the piping and appurtenances. The automatic reset feature does not require manual operation following overload.

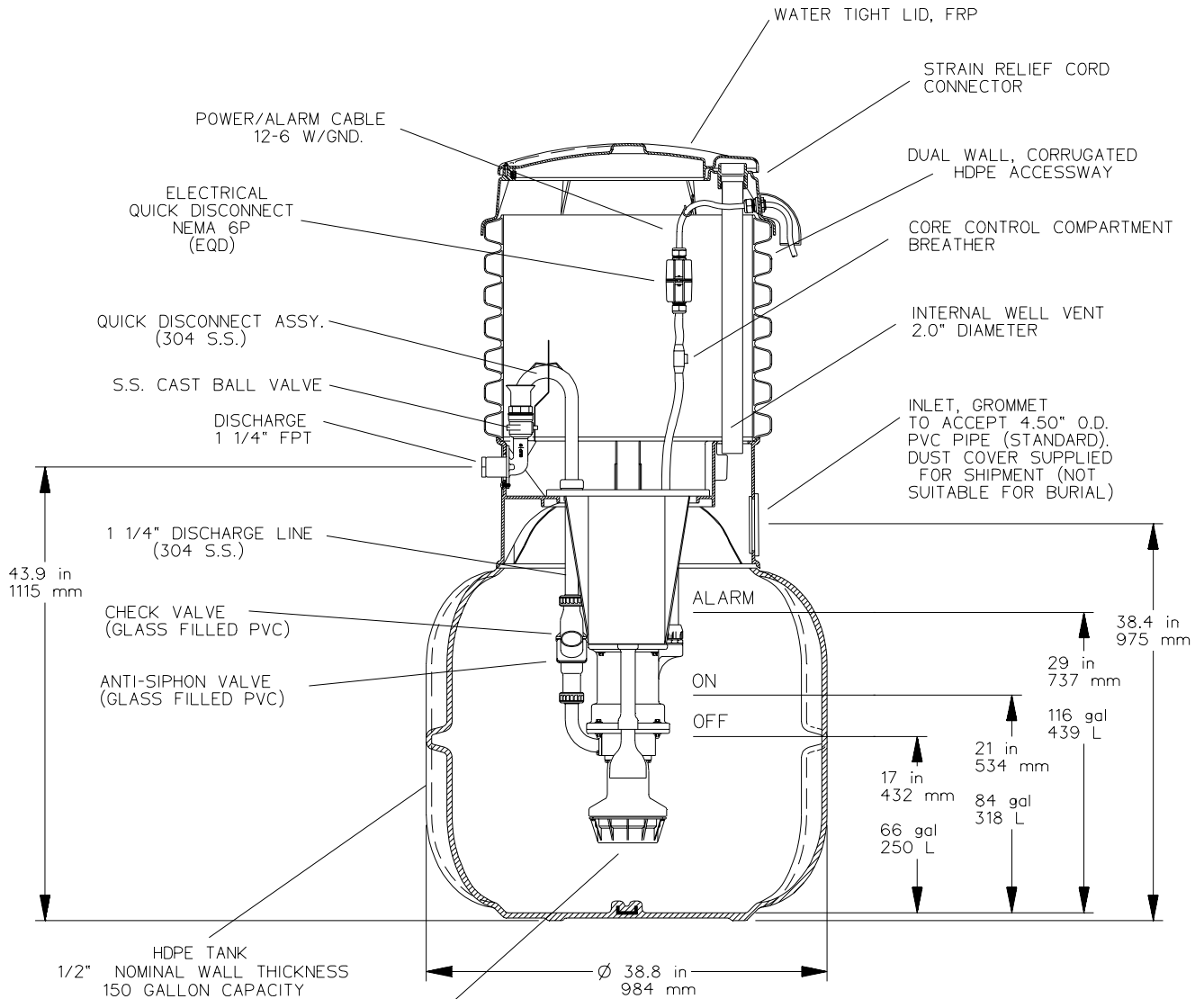
Patent Numbers: 5,752,315 5,562,254
5,439,180

* Discharge data includes loss through check valve, which is minimal.

PA1347P01 Rev. B, 1/02

FIELD JOINT REQUIRED
FOR MODELS
2012-129 & 2012-160

2012



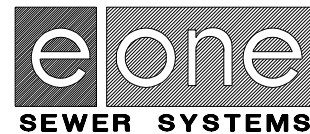
SEMI-POSITIVE DISPLACEMENT TYPE PUMP
DIRECTLY DRIVEN BY A 1 HP MOTOR
CAPABLE OF DELIVERING 9 gpm AT 138' T.D.H.
(34 lpm AT 42m T.D.H.)



BALLAST REQUIREMENTS

A CONCRETE ANCHOR IS REQUIRED
ON ALL OUTDOOR MODEL 2012 STATIONS
SPECIFIC CONCRETE DIMENSIONS ARE REQUIRED
TO ACHIEVE NECESSARY BALLAST EFFECT
SEE INSTALLATION INSTRUCTIONS FOR FURTHER DETAILS

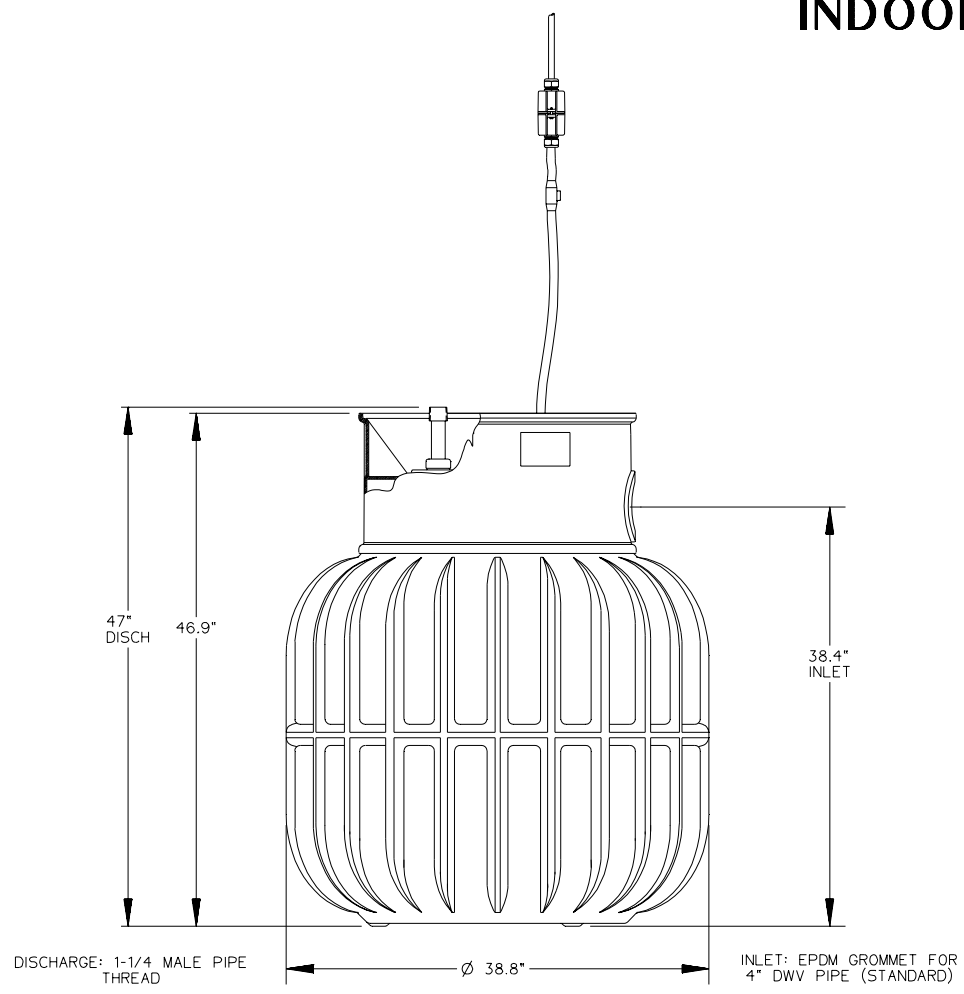
SGS	CAH	08/13/01	G	1/16
DR BY	CHK'D	DATE	ISSUE	SCALE



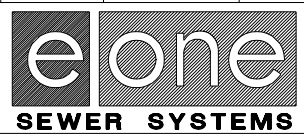
MODEL 2012, DETAIL SHEET

PA0909P01

2012-47 INDOOR UNIT



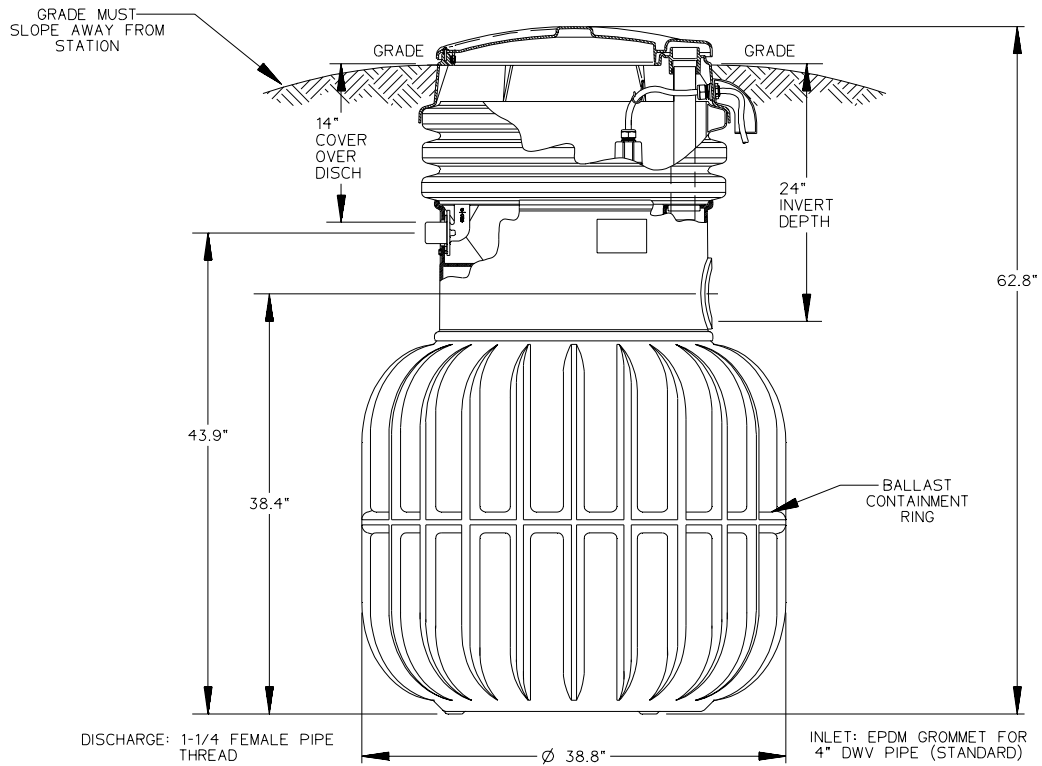
SGS	CAH	6/01/01	B	1/16
DR BY	CHK'D	DATE	ISSUE	SCALE



MODEL 2012-47

PA1336P01

2012-63



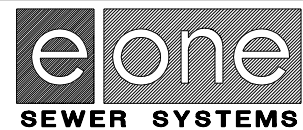
SGS	CAH	01/10/02	C	1/16
DR BY	CHK'D	DATE	ISSUE	SCALE

BALLAST REQUIREMENTS

A CONCRETE ANCHOR IS REQUIRED ON ALL MODEL 2012-63 STATIONS

SPECIFIC CONCRETE DIMENSIONS ARE REQUIRED TO ACHIEVE NECESSARY BALLAST EFFECT

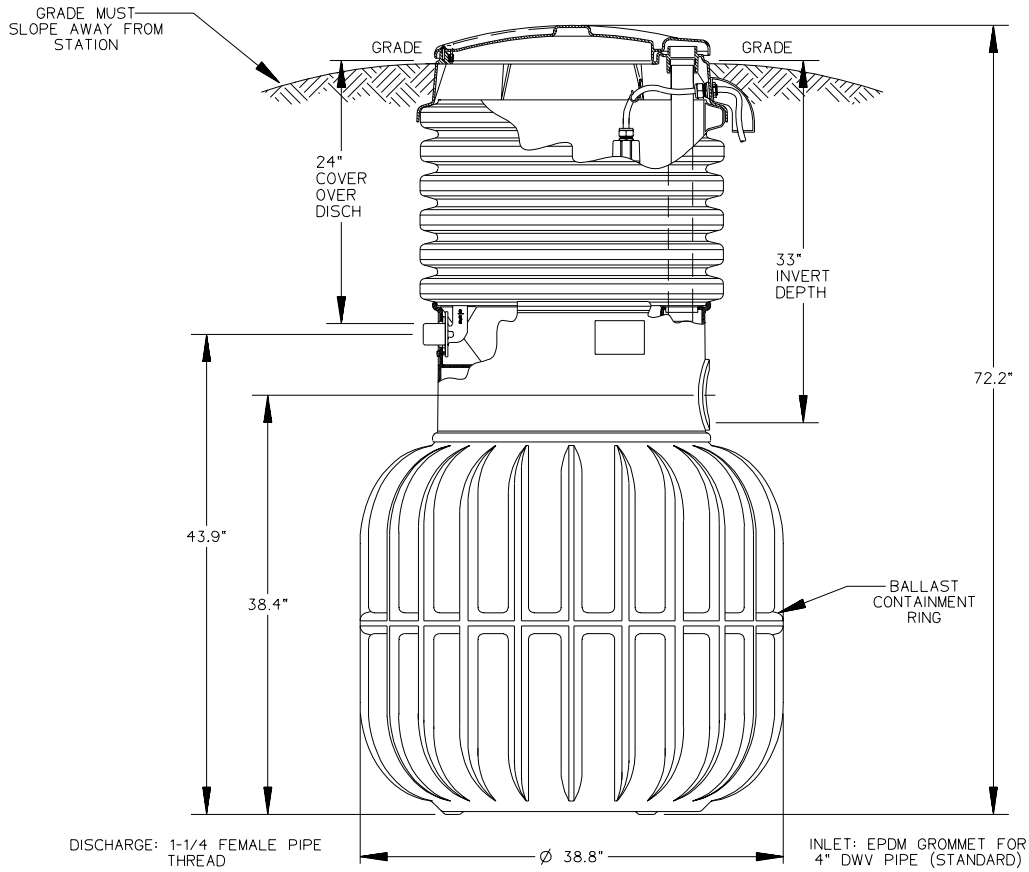
SEE INSTALLATION INSTRUCTIONS FOR FURTHER DETAILS



MODEL 2012-63

PA1336P02

2012-74



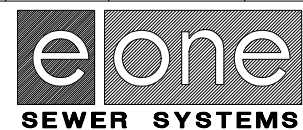
SGS	CAH	8/13/01	B	1/16
DR BY	CHK'D	DATE	ISSUE	SCALE

BALLAST REQUIREMENTS

A CONCRETE ANCHOR IS REQUIRED ON ALL MODEL 2012-74 STATIONS

SPECIFIC CONCRETE DIMENSIONS ARE REQUIRED TO ACHIEVE NECESSARY BALLAST EFFECT

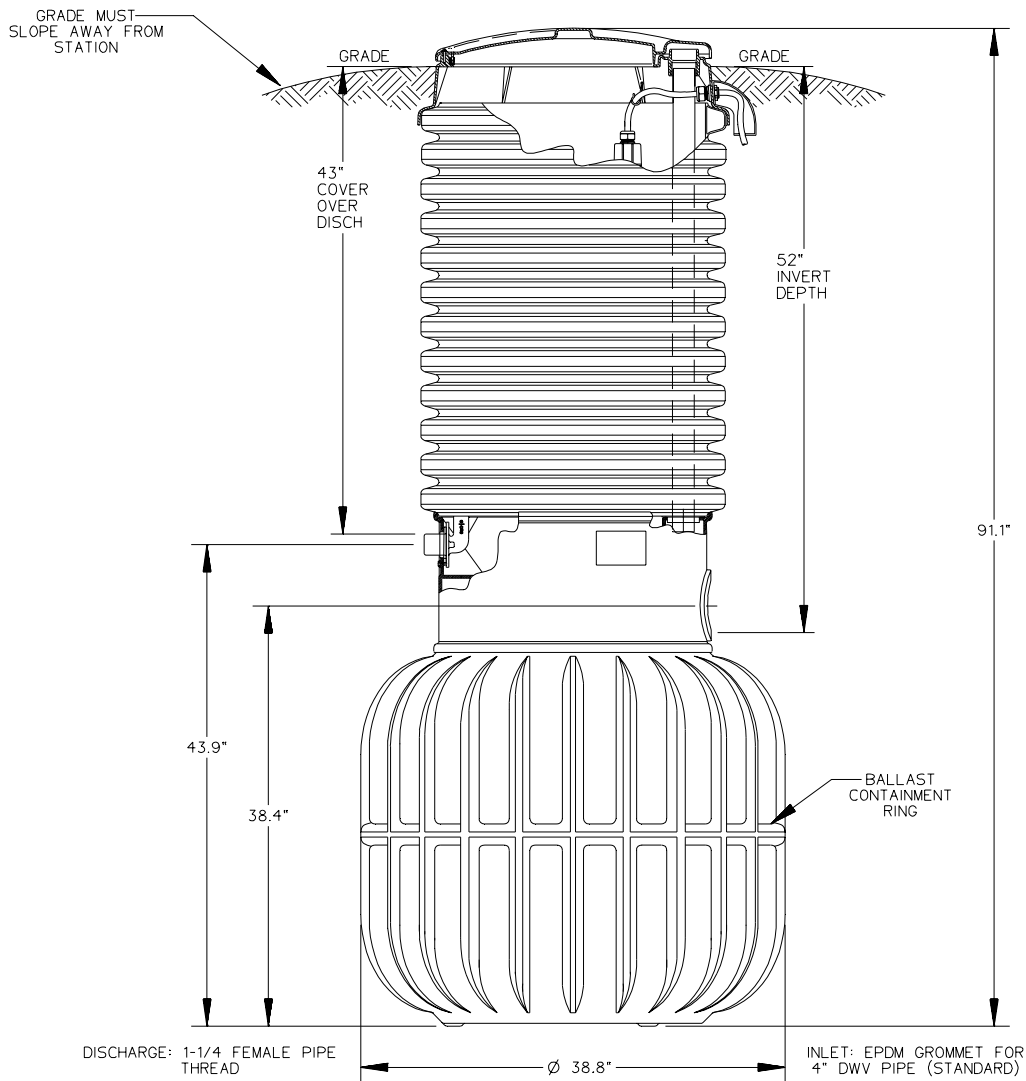
SEE INSTALLATION INSTRUCTIONS FOR FURTHER DETAILS



MODEL 2012-74

PA1336P03

2012-93



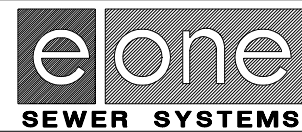
SGS	CAH	8/13/01	B	1/16
DR BY	CHK'D	DATE	ISSUE	SCALE

BALLAST REQUIREMENTS

A CONCRETE ANCHOR IS REQUIRED ON ALL MODEL 2012-93 STATIONS

SPECIFIC CONCRETE DIMENSIONS ARE REQUIRED TO ACHIEVE NECESSARY BALLAST EFFECT

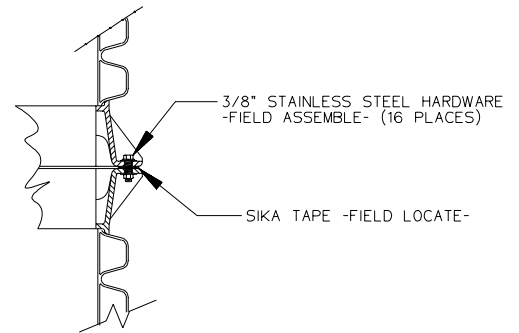
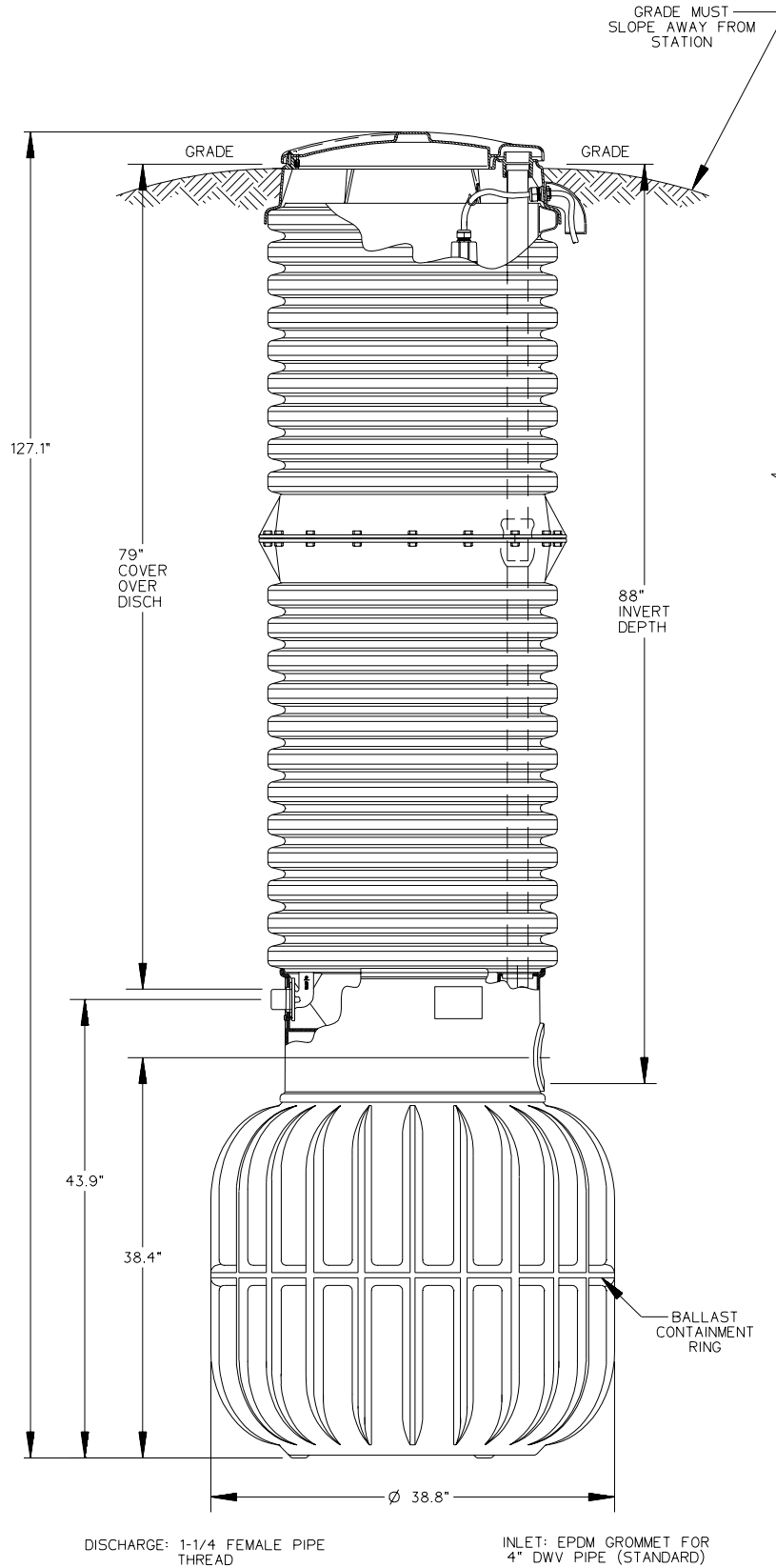
SEE INSTALLATION INSTRUCTIONS FOR FURTHER DETAILS



MODEL 2012-93

PA1336P04

2012-129



DETAIL, FIELD JOINT

SEE INSTALLATION INSTRUCTIONS FOR FURTHER DETAILS

BALLAST REQUIREMENTS

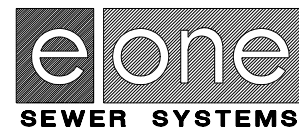
A CONCRETE ANCHOR IS REQUIRED ON ALL MODEL 2012-129 STATIONS

SPECIFIC CONCRETE DIMENSIONS ARE REQUIRED TO ACHIEVE NECESSARY BALLAST EFFECT

SEE INSTALLATION INSTRUCTIONS FOR FURTHER DETAILS



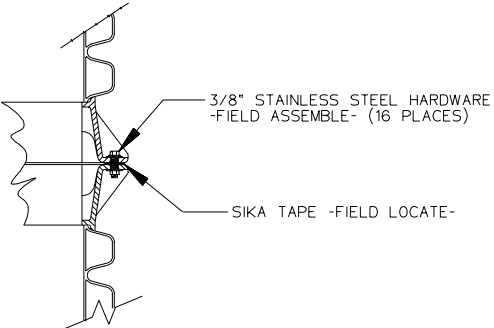
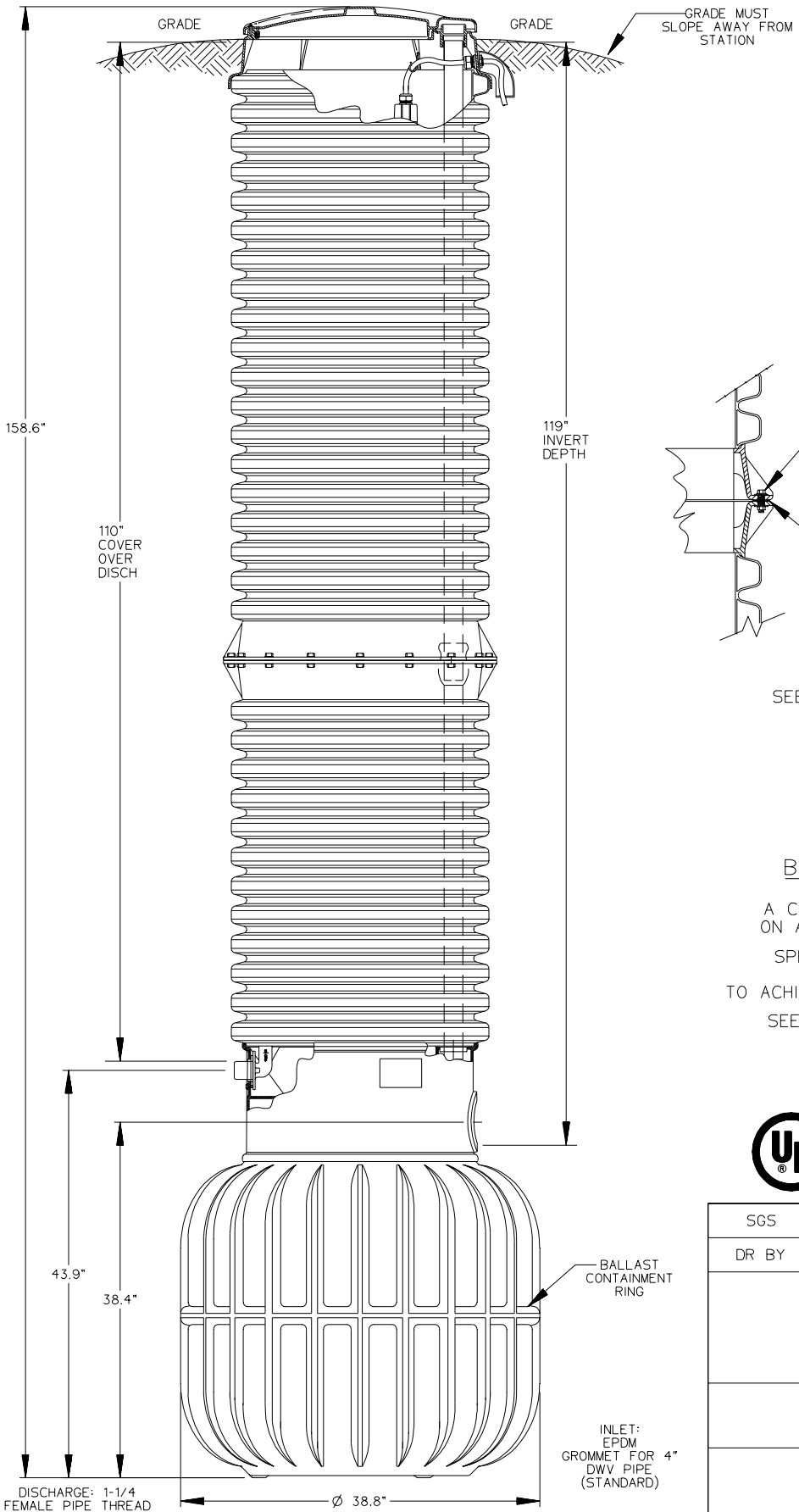
SGS	CAH	08/13/01	B	1/16
DR BY	CHK'D	DATE	ISSUE	SCALE



MODEL 2012-129

PA1336P05

2012-160



DETAIL, FIELD JOINT

SEE INSTALLATION INSTRUCTIONS FOR FURTHER DETAILS

BALLAST REQUIREMENTS

A CONCRETE ANCHOR IS REQUIRED ON ALL MODEL 2012-160 STATIONS
 SPECIFIC CONCRETE DIMENSIONS ARE REQUIRED TO ACHIEVE NECESSARY BALLAST EFFECT
 SEE INSTALLATION INSTRUCTIONS FOR FURTHER DETAILS



SGS	CAH	8/13/01	B	1/16
DR BY	CHK'D	DATE	ISSUE	SCALE



MODEL 2012-160

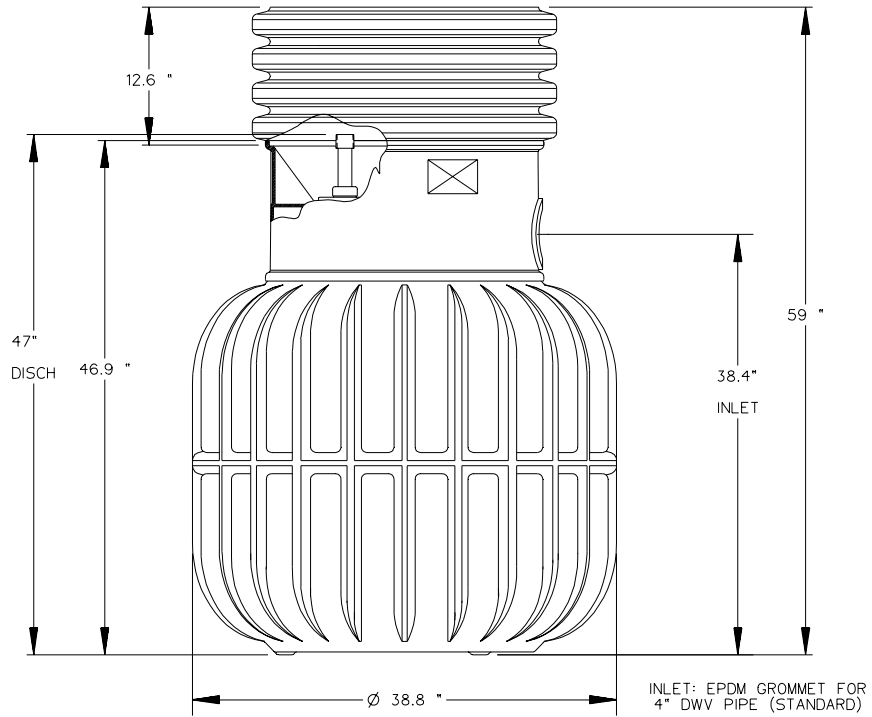
PA1336P06

DISCHARGE: 1-1/4 FEMALE PIPE THREAD

INLET: EPDM GROMMET FOR 4" DWV PIPE (STANDARD)

MODEL 2012-59 BUILDERS

STRAIGHT DISCHARGE



SG	GAE	11/04/96	-	1/16
DR BY	CHK'D	DATE	ISSUE	SCALE



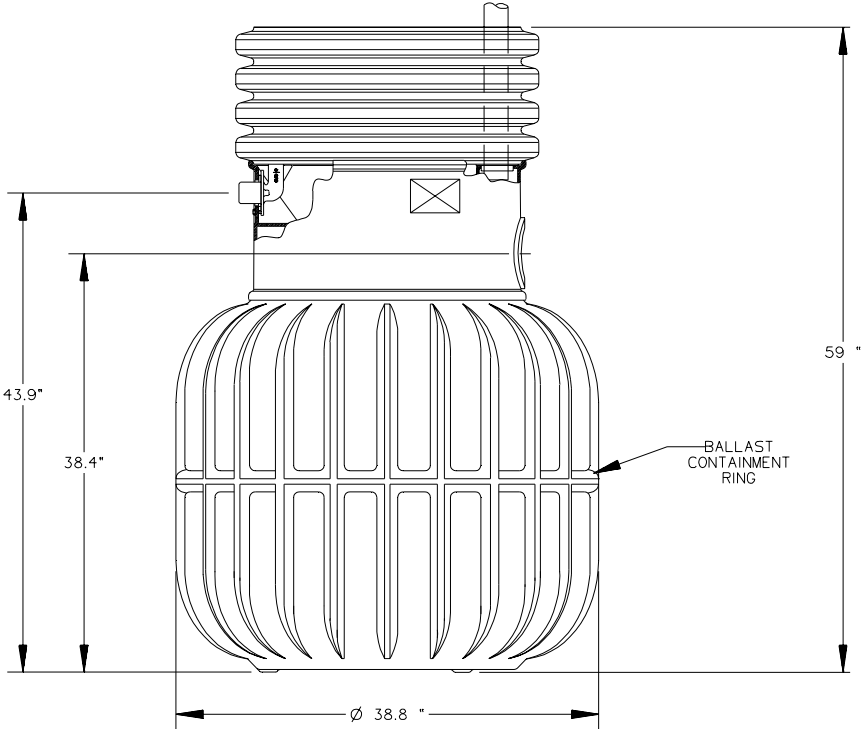
SEWER SYSTEMS

**MODEL 2012-59
BUILDERS**

EWN 97-0014

MODEL 2012-59 BUILDERS

OUTSIDE TYPE DISCHARGE



SG	GAE	11/04/96	-	1/16
DR BY	CHK'D	DATE	ISSUE	SCALE



**MODEL 2012-59
BUILDERS**

EWN 97-0014