

CONCRETE BALLAST NOT REQUIRED  
 NOTE: DIMENSIONS ARE FOR REF ONLY

JV	JG	7/26/2023	H	1:16
DR BY	CHK'D	DATE	ISSUE	SCALE

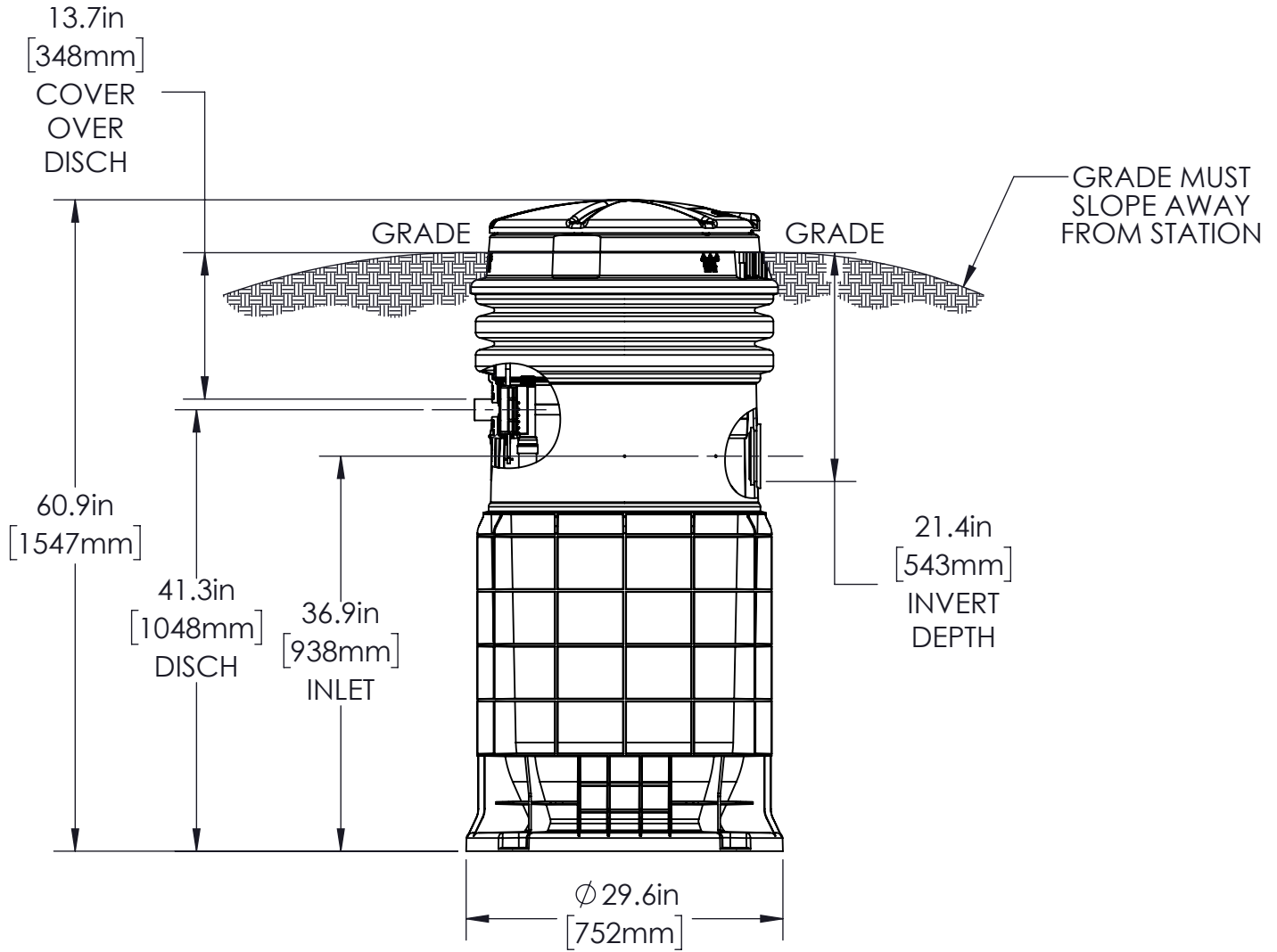


MODEL WH101  
 DETAIL SHEET

NA0057P02



# WH101-60



JVL	JG	9/14/2023	F	1:16
DR BY	CHK'D	DATE	ISSUE	SCALE

NOTE: DIMENSIONS ARE FOR REF ONLY

CONCRETE BALLAST NOT REQUIRED

DISCHARGE: 1-1/4in FEMALE SOCKET (STANDARD)

INLET: EPDM GROMMET FOR 4in DWV PIPE (STANDARD)

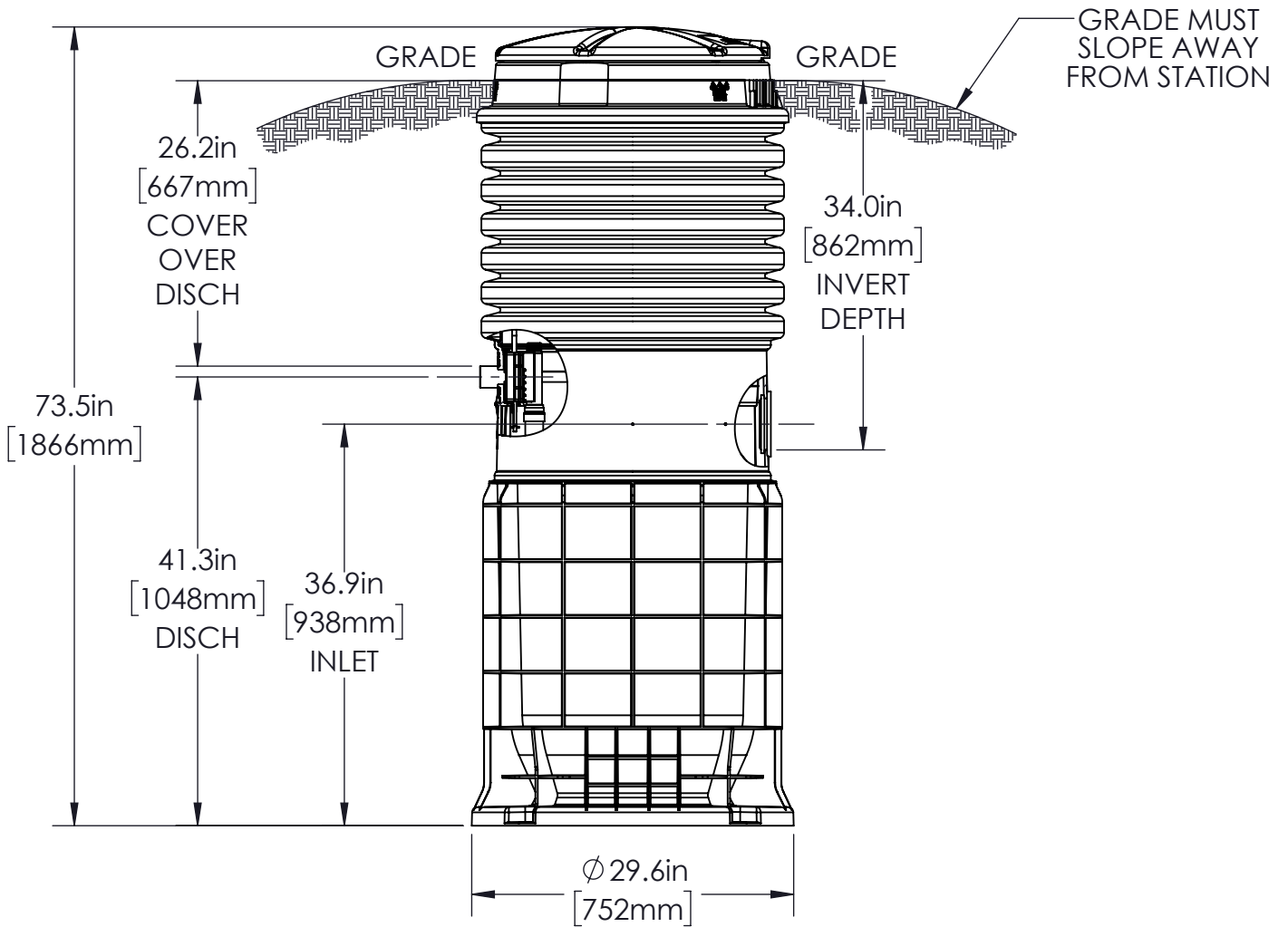


**SEWER SYSTEMS**

**MODEL WH101-60**

**CUT SHEET**

**NA0057P03**



NOTE: DIMENSIONS ARE FOR REF ONLY  
 CONCRETE BALLAST NOT REQUIRED  
 DISCHARGE: 1-1/4in FEMALE SOCKET (STANDARD)  
 INLET: EPDM GROMMET FOR 4in DWV PIPE (STANDARD)

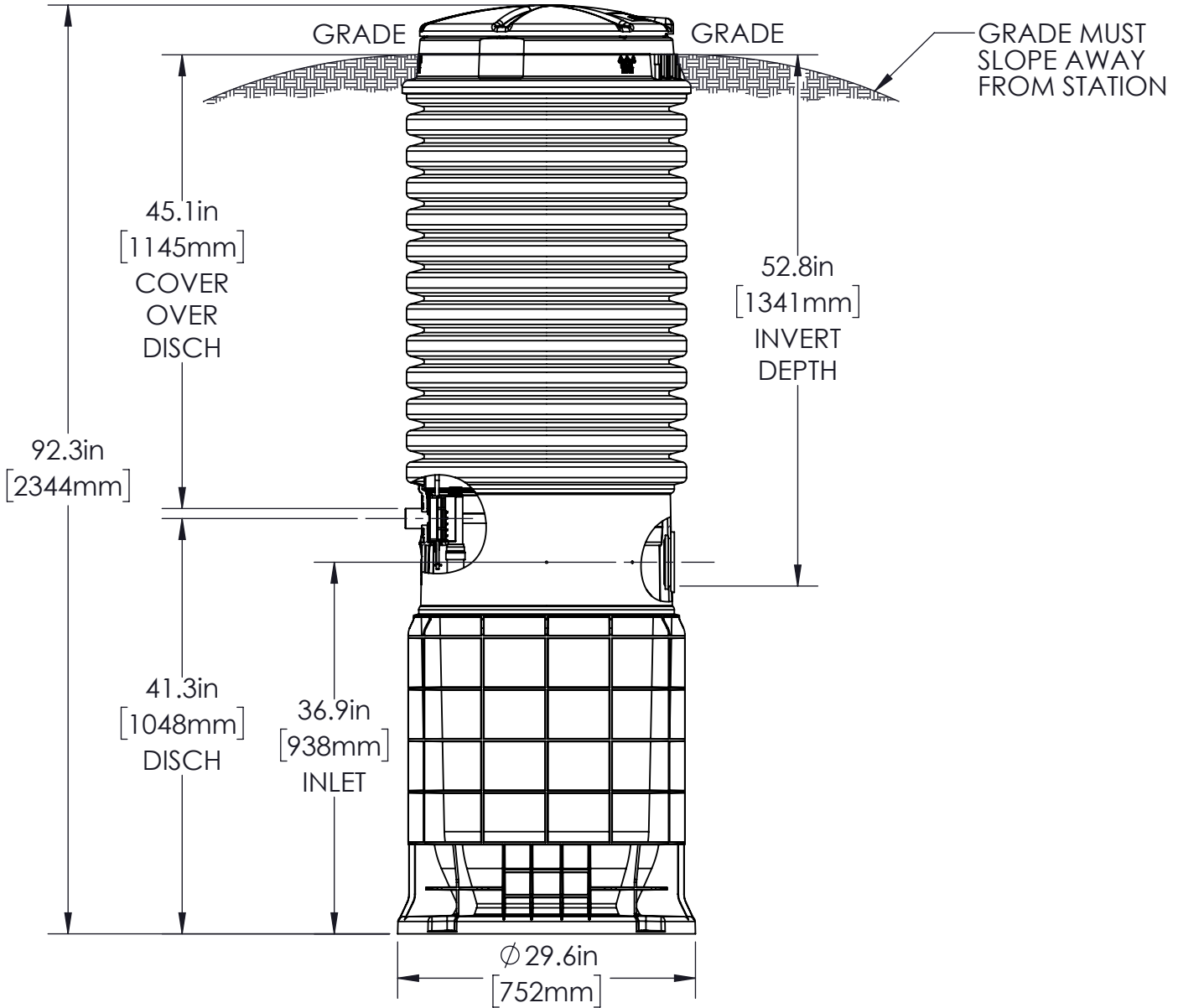
JVL	JG	9/14/2023	F	1:16
DR BY	CHK'D	DATE	ISSUE	SCALE



MODEL WH101-74  
 CUT SHEET

NA0057P04

# WH101-92



JVL	JG	9/14/2023	F	1:16
DR BY	CHK'D	DATE	ISSUE	SCALE

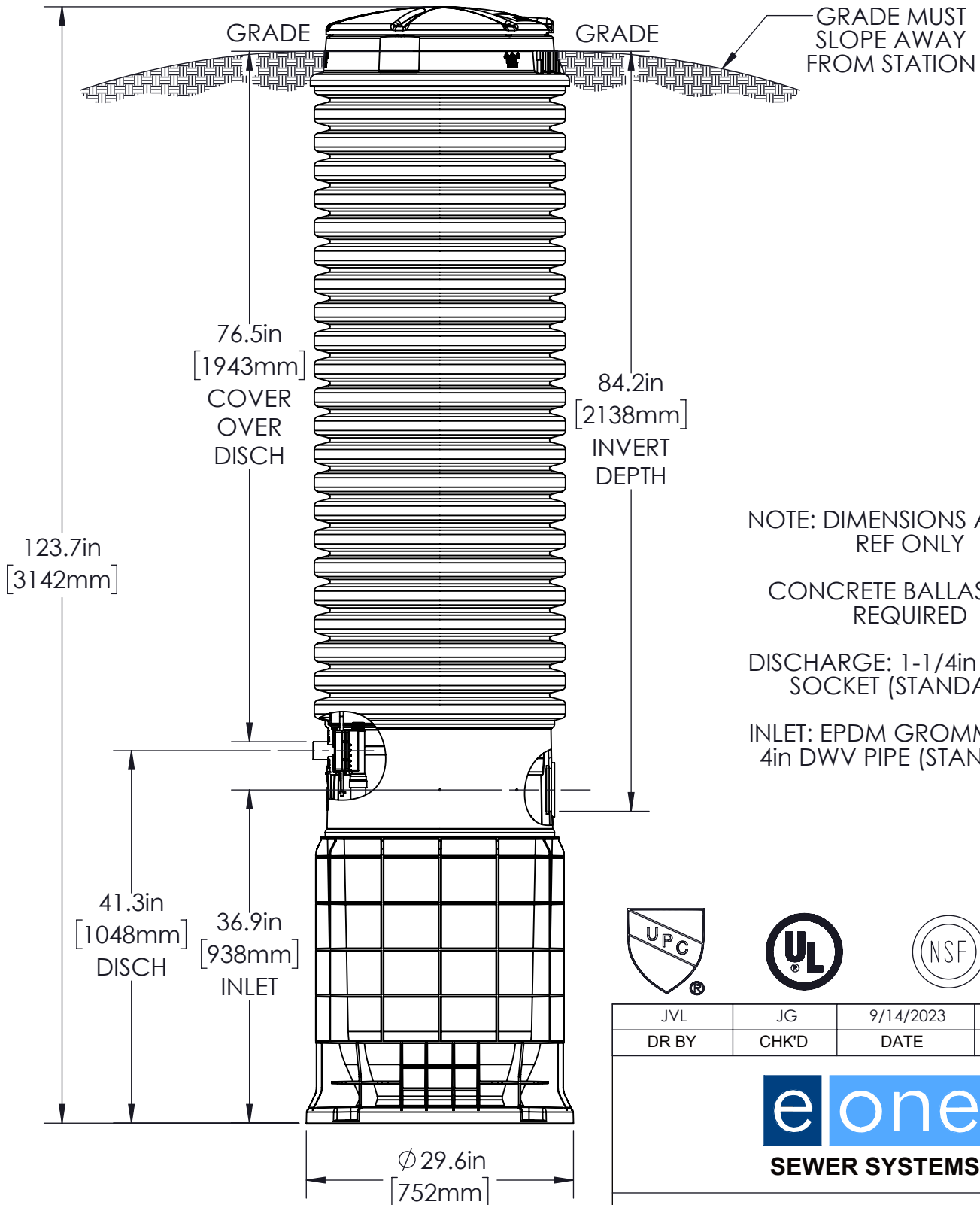
NOTE: DIMENSIONS ARE FOR REF ONLY  
 CONCRETE BALLAST NOT REQUIRED  
 DISCHARGE: 1-1/4in FEMALE SOCKET (STANDARD)  
 INLET: EPDM GROMMET FOR 4in DWV PIPE (STANDARD)



MODEL WH101-92  
 CUT SHEET

NA0057P05

# WH101-124



NOTE: DIMENSIONS ARE FOR REF ONLY

CONCRETE BALLAST NOT REQUIRED

DISCHARGE: 1-1/4in FEMALE SOCKET (STANDARD)

INLET: EPDM GROMMET FOR 4in DWV PIPE (STANDARD)



JVL	JG	9/14/2023	F	1:16
DR BY	CHK'D	DATE	ISSUE	SCALE

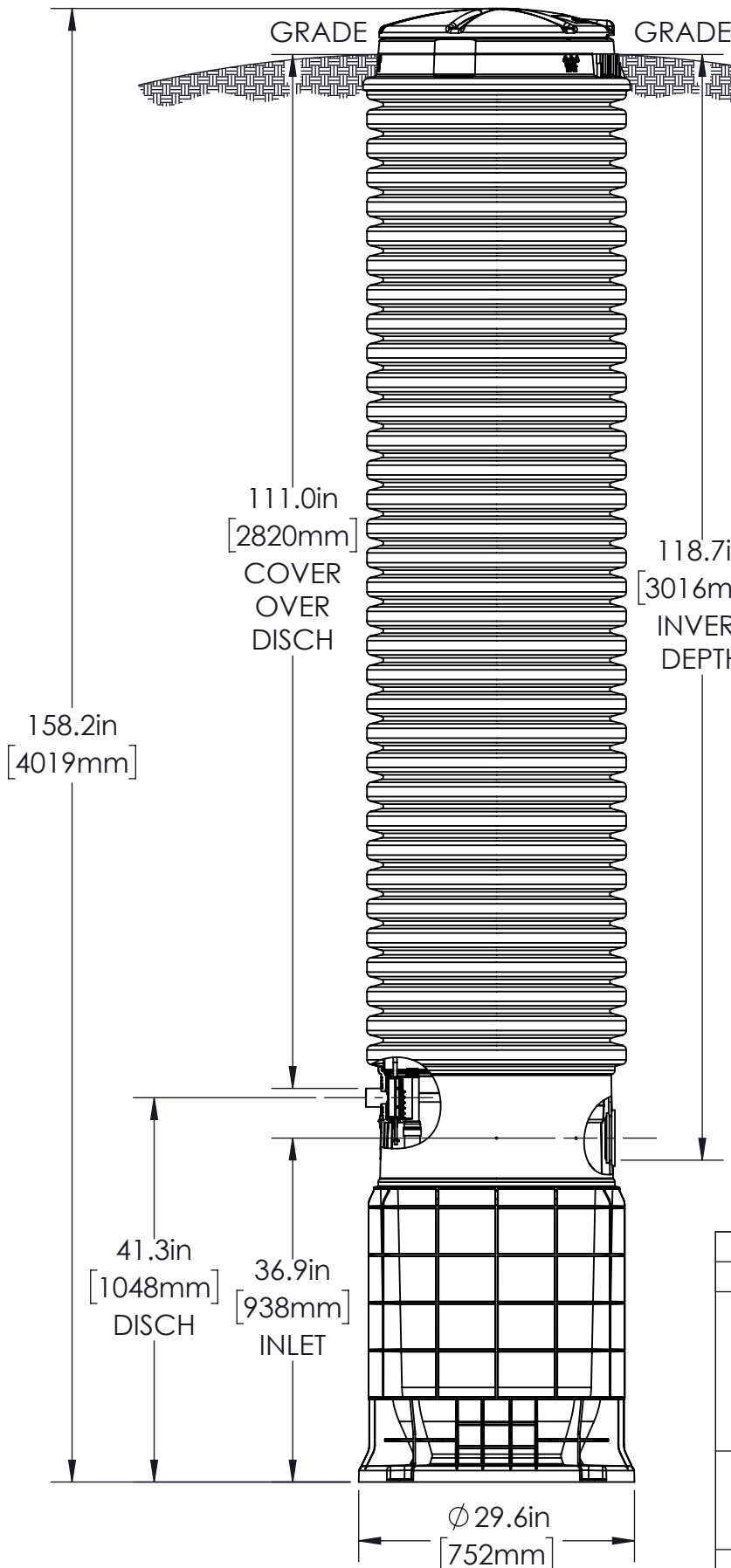


**SEWER SYSTEMS**

**MODEL WH101-124  
CUT SHEET**

**NA0057P06**

# WH101-159



GRADE MUST SLOPE AWAY FROM STATION

NOTE: DIMENSIONS ARE FOR REF ONLY

CONCRETE BALLAST NOT REQUIRED

DISCHARGE: 1-1/4in FEMALE SOCKET (STANDARD)

INLET: EPDM GROMMET FOR 4in DWV PIPE (STANDARD)



JVL	JG	9/14/2023	F	1:18
DR BY	CHK'D	DATE	ISSUE	SCALE



**SEWER SYSTEMS**

**MODEL WH101-159  
CUT SHEET**

**NA0057P07**